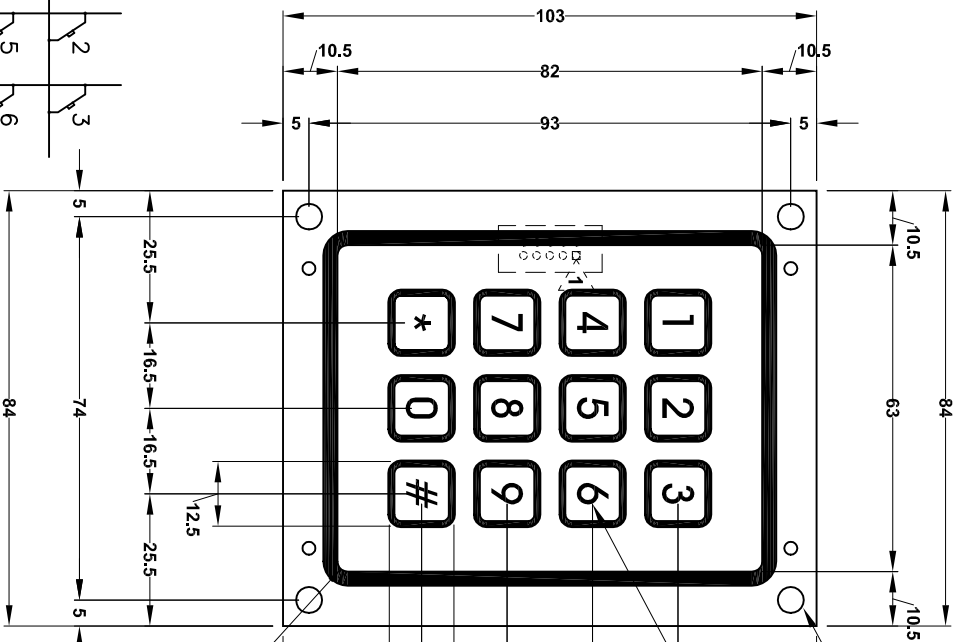
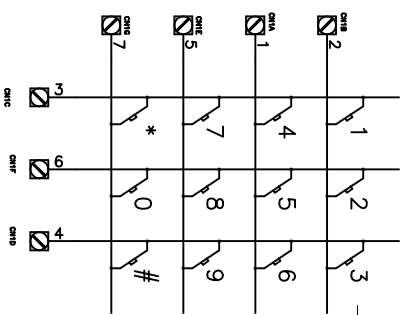


# Cut-Out 82,5 x 63,5 R=2.25

Panel thickness = 2 mm



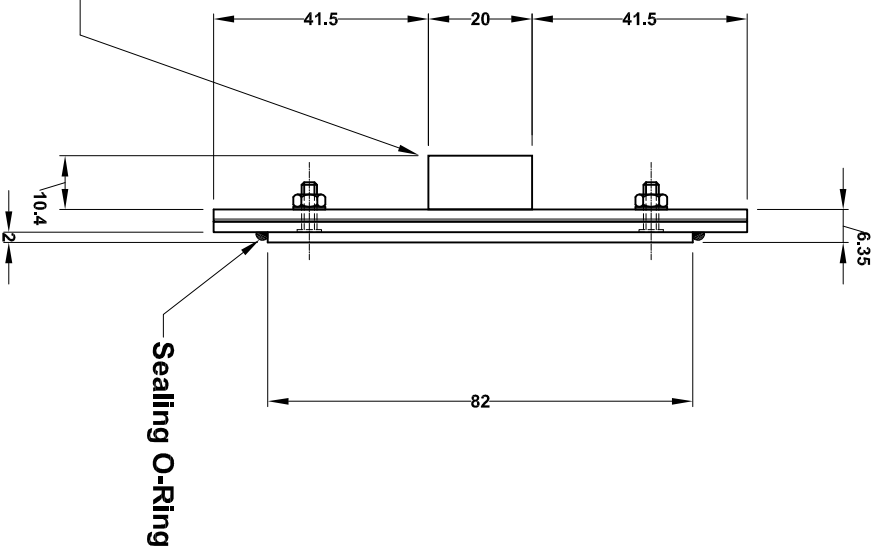
TOP SIDE



N° 4 fixing holes Ø5 mm

Keys marking  
black colour

(CN1) IDC male connector  
5 x 2 B/P A-PHB254-10  
(3 x 4 Output matrix)



Sealing O-Ring

Rev.	DATE	Signature	Description of modifications	Approved
1	XXXXXX	/ / / / / / / / / /	/ / / / / / / / / /	

THIS DRAW IS A RESERVED PROPERTY OF APEM ITALIA S.r.l.		ALL DIMENSIONS IN mm UNLESS OTHERWISE STATED		TOLERANCES UNLESS OTHERWISE STATED:	
REPRODUCTION FORBIDDEN		DO NOT SCALE DRAWING		LINEAR ±0.1 mm	
REPRODUCTION FORBIDDEN	DATA	SIGNATURE		ANGULAR ±30°	
DRAWN	11/02/2005	S. Gaglio			
CHECKED		xxxxxx			
APPROVED		xxxxxx			
DESCRIPTION			T12PQR NEW ASSEMBLY		

**APEM ITALIA S.r.l.**  
 Via G. Mercanti, 147/G  
 12030 MARENE (CN) - ITALIA  
 Tel. +39.0172.743170  
 Fax. +39.0172.743171  
 apem.italia@open.it  
 www.apem.it

PART. N. **59800020**

59800020\_T12PQR\_NEW.DWG

SCALE	1 : 1	REV.	0
SHEET	1 / 1	INDEX REF.	OF