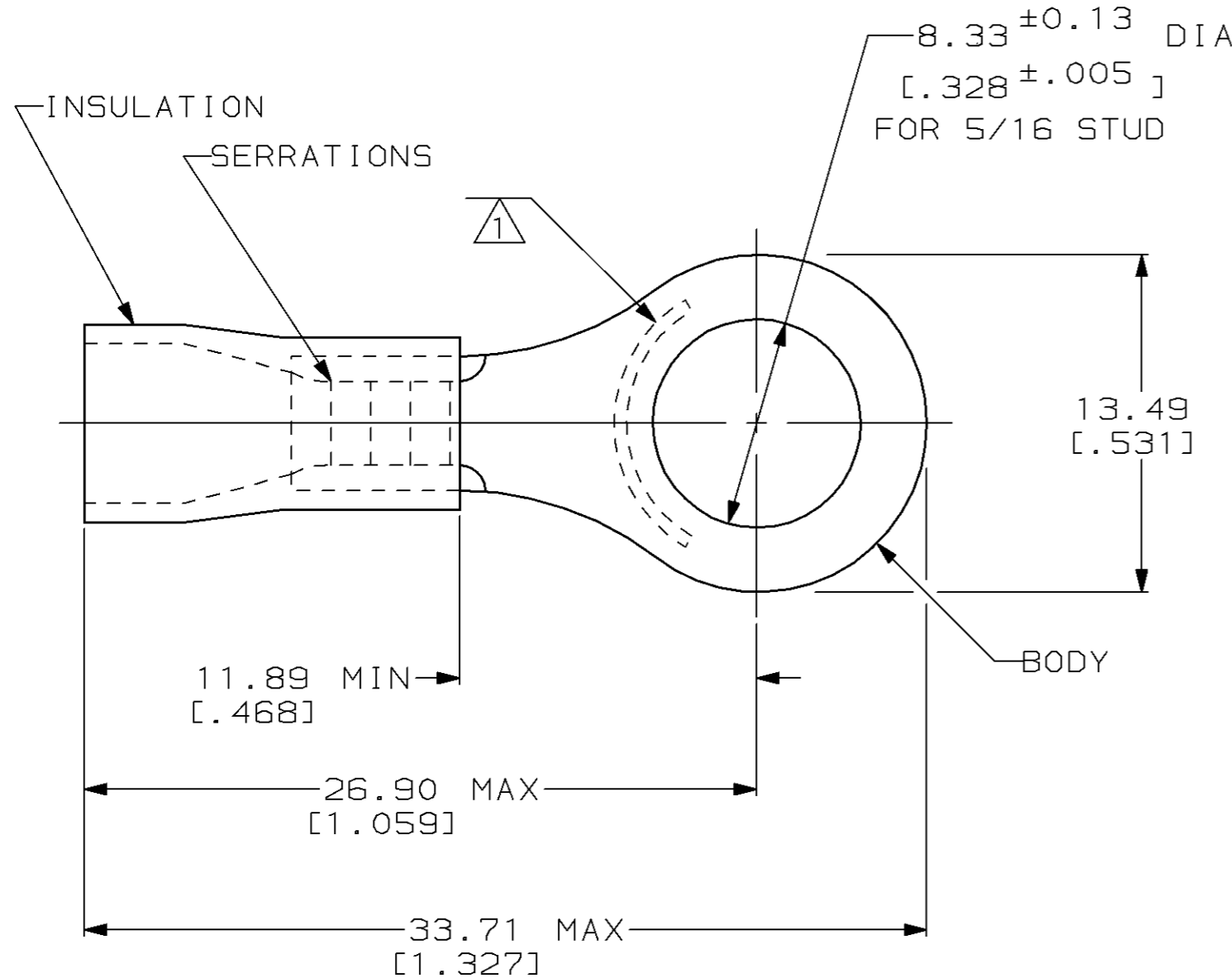


THIS DRAWING IS UNPUBLISHED. RELEASED FOR PUBLICATION, 19 .  
 © COPYRIGHT 19 BY AMP INCORPORATED. ALL INTERNATIONAL RIGHTS RESERVED.

LOC	DIST	P	F	REVISIONS				
G	14			ZONE	LTR	DESCRIPTION	DATE	APPD
					M	REV / 0G10-0080-98	03JUN98	ME BB

<b>AMP</b> WIRE RANGE	Listed	LR7189 Certified
12-10 AWG SOLID OR STRANDED	12-10 AWG SOLID OR STRANDED	12-10 AWG SOLID OR STRANDED



- ① STAMP AMP 12-10\* APPROX AS SHOWN
- 2 WIRE INSULATION DIA: .150-.250
- 3 TONGUE MATERIAL THK: 1.02<sup>±0.05</sup> [0.040<sup>±.002</sup>]
- ④ TIN PLATE PER ASTM B 545
- ⑤ GOLD FLASH PER MIL-G-45204 OVER NICKEL PLATE PER QQ-N-290
- ⑥ YELLOW INSULATION
- ⑦ RED INSULATION

⑦⑤	2500	ON TAPE, REEL	34856-4
⑦④	2500	ON TAPE, REEL	34856-2
<b>OBSOLETE</b>	<b>25</b>	<b>LOOSE PC, BAG</b>	<b>8-34856-5</b>
⑥④	50	LOOSE PC, BOX	8-34856-2
⑥④	2500	ON TAPE, REEL	2-34856-1
⑥④	-	LOOSE PIECE	34856

<b>AMP INCORPORATED CUSTOMER SERVICE SYSTEMS</b>		MAX RECOMMENDED OPERATING TEMPERATURE: 90°C MAX	DO NOT SCALE PRINT, UNLESS SPECIFIED DIMENSIONS IN mm [INCHES] TOLERANCES ON: 2 PLC DEC ± 0.20 [0.008] 3 PLC DEC ± - ANGLES ± -	DR 08/06/92 OK SCHRUM	<b>AMP</b> AMP Incorporated Harrisburg, PA 17105-3608
FOR ADDITIONAL PRODUCT INFORMATION OR COPIES OF DRAWINGS AND TECHNICAL DOCUMENTS	PRODUCT INFORMATION CENTER 1-800-522-6752	VOLTAGE RATING: NOT APPLICABLE	MATERIAL COPPER PER ASTM B-152 PVC	CHK 11/10/92 RE HERSEY	
FOR APPLICATION TOOLING INFORMATION	TOOLING ASSISTANCE CENTER 1-800-722-1111	CIRCULAR MIL AREA: 2.62-6.64mm <sup>2</sup> [5,180-13,100] SOLID OR STRANDED	FINISH SEE NOTES 4 & 5	APPD 11/10/92 ML ELLIS	NAME TERMINAL, RING TONGUE, PLASTI-GRIP™
FOR ORDER ENTRY	1-800-526-5142	THIS DRAWING IS A CONTROLLED DOCUMENT FOR AMP INCORPORATED. IT IS SUBJECT TO CHANGE AND THE CONTROLLING ENGINEERING ORGANIZATION SHOULD BE CONTACTED FOR THE LATEST REVISION.		APPD 11/10/92 M BARNABA	SIZE <b>B</b> CAGE CODE 00779 DRAWING NO <b>C-34856</b>
				PRODUCT SPEC 108-1034	SCALE 4:1 SHEET 1 OF 1
				APPLICATION SPEC NOT AVAILABLE	
				WEIGHT -	