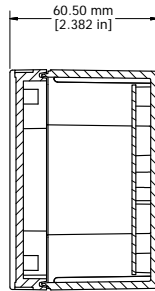
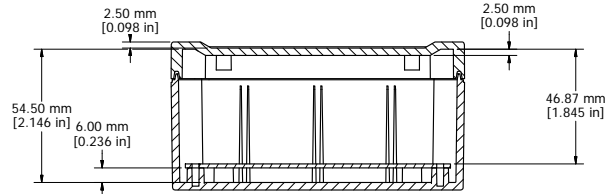


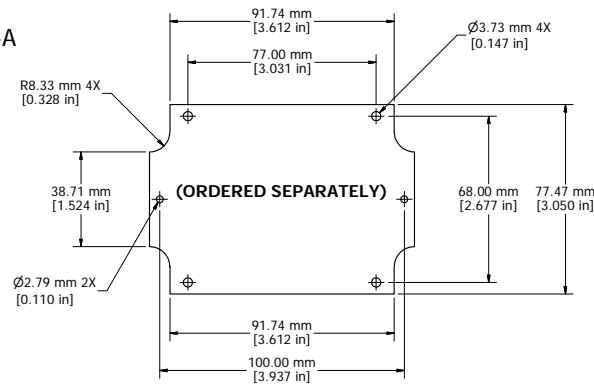
ASSEMBLY



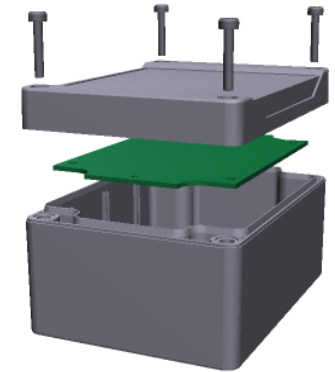
SECTION A-A



SECTION B-B



STEEL INNER PANEL

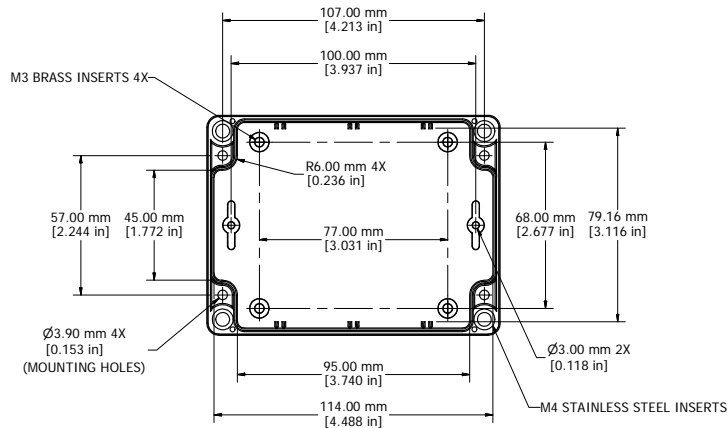


Polycarbonate Version Only
UL US LISTED
 File #E65324
 NEMA 4, 4X

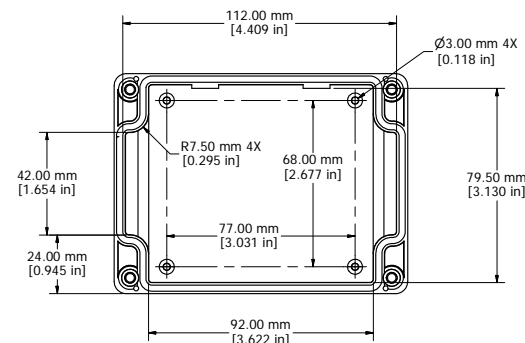
Enclosures can be Factory Modified (Milling, Drilling, Printing etc.)
 Solid models of this enclosure available in STEP or IGES.
 Contact Factory mjm@hammondmfg.com

NOTE

Purchased assembly includes box, styled lid, 4 cover screws, and preformed silicone gasket.
 General Purpose ABS version is not UL approved. (Matl UL94 - HB)
 Polycarbonate version is UL 508 approved. (Matl UL94 - V0 / 5VA @ 3mm)
Recommended Cover screw torque – 2.5 lbf-in (30 cN-m)



BOX - INSIDE



LID - INSIDE

| 1555F | |
|---|------------|
| 1555F Regular Enclosure | |
| General Purpose ABS RAL-7035 | 1555FGY |
| Polycarbonate RAL-7035 | 1555F2GY |
| ACCESSORIES | |
| Steel Inner Panels | 1555FPL |
| Steel Panel / P.C. Board Machine Screw [M3 x 8mm Plated] | 1591MM100 |
| Steel Panel / P.C. Board Self Tapping Screw [#6 X 1/4" (6.4mm) Plated] | 1598ATS100 |
| Cover Screws (Pkg 4) [M4 X 20mm Stainless Steel] | SC1554 |

HAMMOND MANUFACTURING™
 1555F
www.hammondmfg.com