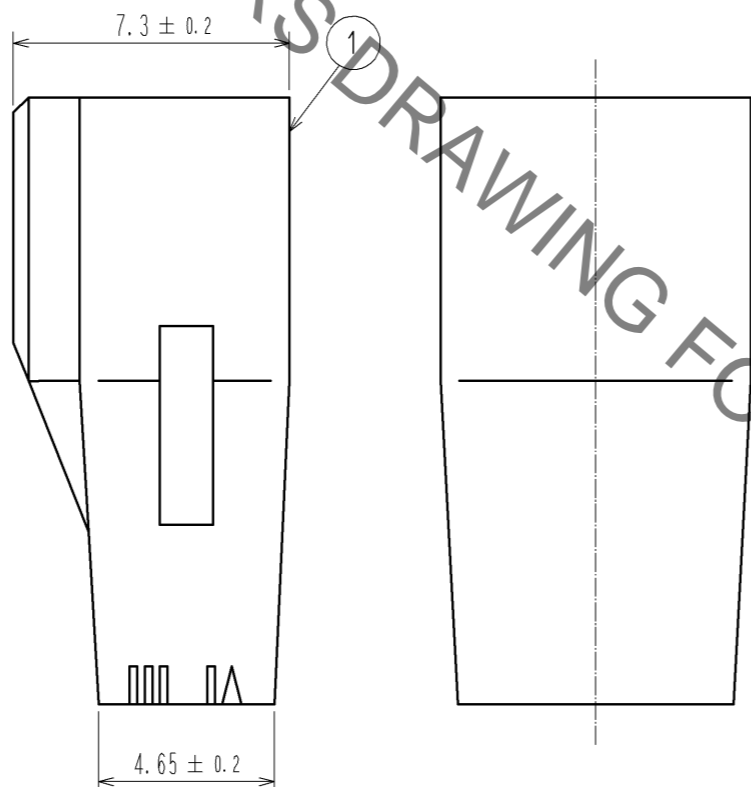
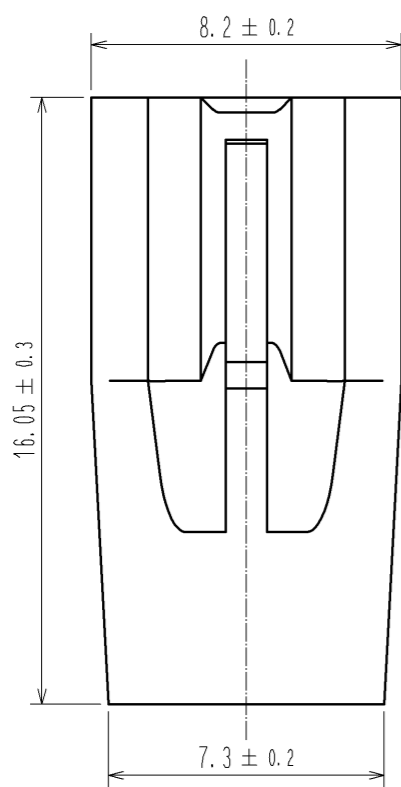
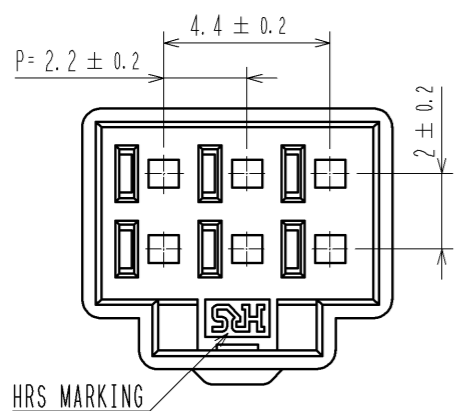
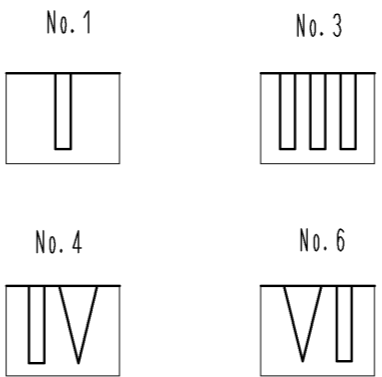


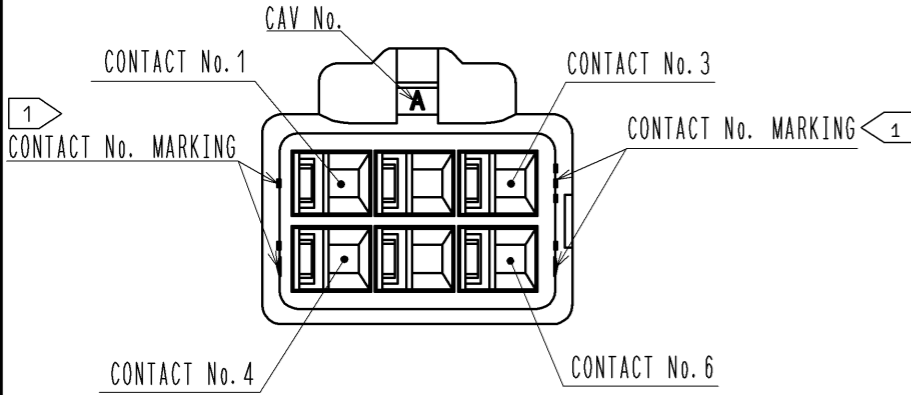
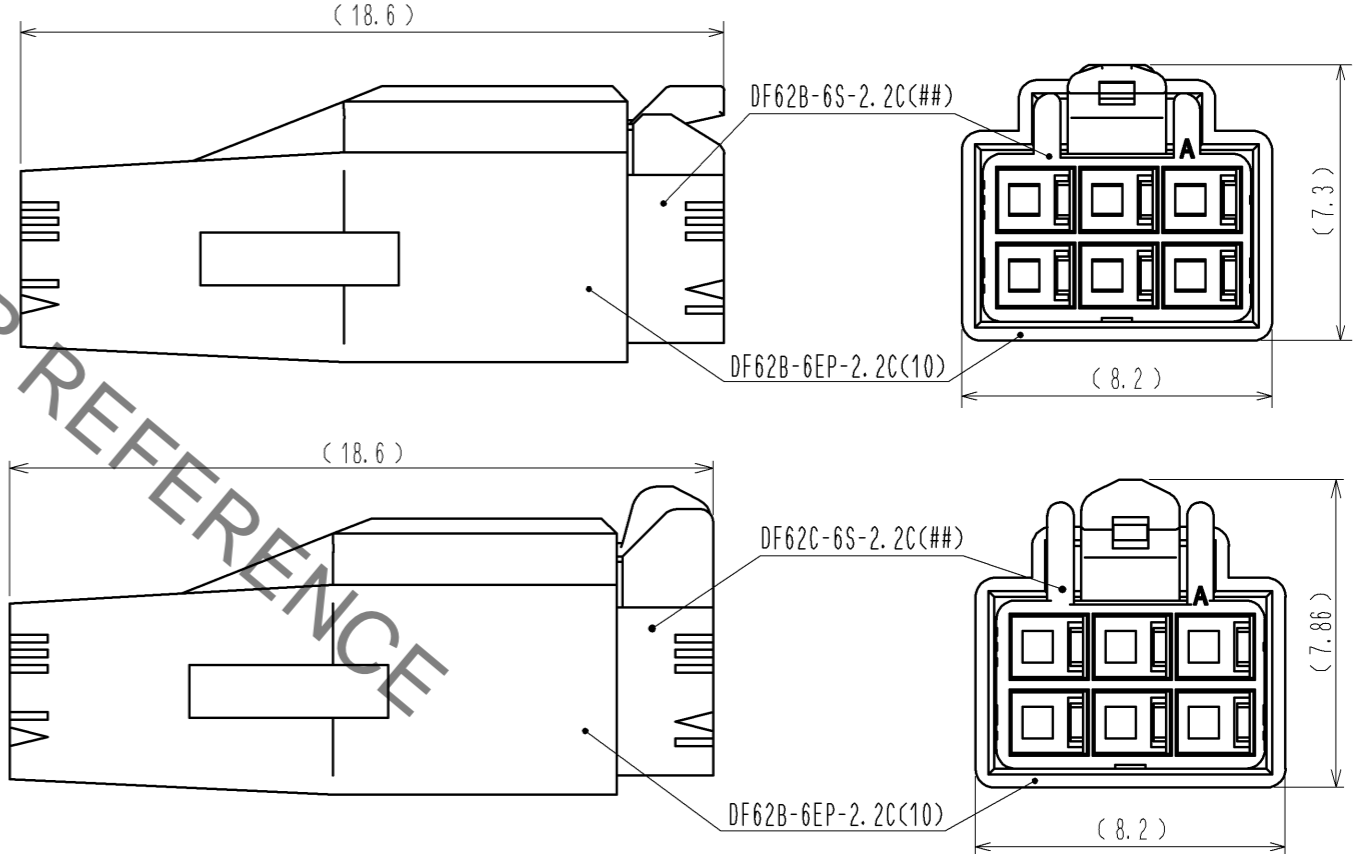
Sep.1.2019 Copyright 2019 HIROSE ELECTRIC CO., LTD. All Rights Reserved.
In case of consideration for using Automotive equipment / device which demand high reliability, kindly contact our sales window correspondents.



1 FIGURE-1 CONTACT No. MARKING (10:1)



MATING FIGURE



NOTE. 1 MARKINGS AT THE INDICATED POSITIONS ARE CONTACT NO. MARKING. AND SHAPES ARE SHOWN IN FIGURE-1.
2. PER PACK : 100 PIECES.
3. THE DIMENSIONS IN PARENTHESIS ARE FOR REFERENCE.

NO.		MATERIAL		FINISH . REMARKS		1	PBT	UL94V-0 (WHITE)	
UNITS mm		SCALE 5 : 1		COUNT		DESCRIPTION OF REVISIONS		DESIGNED	CHECKED
HRS		HIROSE ELECTRIC CO., LTD.		APPROVED : KI. AKIYAMA		13.05.29		DRAWING NO. EDC3-351967-01	
				CHECKED : HK. UMEHARA		13.05.29		PART NO. DF62B-6EP-2.2C(10)	
				DESIGNED : TS. KUMAZAWA		13.05.29		CODE NO. CL544-0562-6-10	
				DRAWN : TS. KUMAZAWA		13.05.29		DATE	