

Three phase, primary switched mode power supply DISCONTINUED PRODUCT

PSR 500/24-40

Applications

Primary switch mode power supply is concentrated on the core task of voltage and current supply.



Picture shows PSR 500/24-10

Standards

Primary switched mode power supply
to UL 60950, UL 508

Safety:
EN 61558-2-16, EN 60950-1

EMC:
EN 61204-3

Approvals



UL/CSA 60950 recognised, UL508 listed



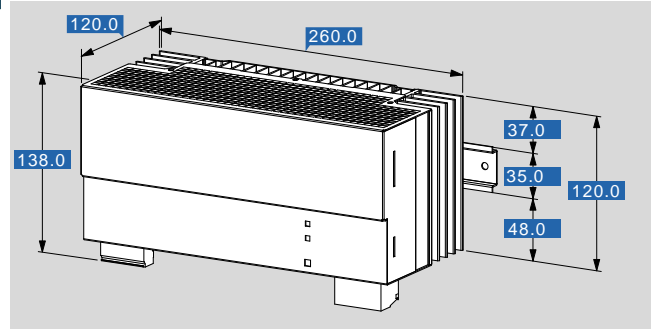
Three phase, primary switched mode power supply

DISCONTINUED PRODUCT

PSR 500/24-40

Type	PSR 500/24-40
	Not for new designs Successor product PC-0324-400-0
Electrical data	
Input	
Input rated voltage	3 x 400 - 500 Vac
Input voltage range	325 - 550 Vac
Low-inrush current	typ. <30 Ap
Rated frequency range	50 - 60 Hz
Input rated current (rated load)	3 x 2.4 A (400 Vac)
Recommended back-up fuse (circuit breaker)	3 x C10 or B16
Mains buffering (rated load)	>10 ms by 400 Vac
Output	
Output rated voltage	24 Vdc
Output voltage range	22.8 - 28.8 Vdc, adjustable
Resistance to reverse feed max.	30 Vdc
Output rated current	40.00 A
Overload behaviour	Constant current
Parallel connection	Yes
Serial operation	Yes
Efficiency	88 %
Signaling	
Power Good (DC OK)	LED green, LED red
Approvals	
Approvals	cURus, cULus
Environment	
Ambient temperature	-10° C to +70° C
Storage temperature	-25° C to +85° C
Derating	-3 %/K from > +50° C
Safety and protection	
Protection index	IP 20
Safety class	I
Accessory	
Wall mounting	WH (optional)
Order numbers	
Order Number	PSR 500/24-40

Type	PSR 500/24-40
Mechanical data	
Terminal and mounting	
Connections input, (spring clamp terminal, pluggable)	max. 2.5 mm ²
Connections output, (spring clamp terminal, pluggable)	max. 2.5 mm ²
Mounting position	vertical
Fixing method	DIN Rail system TH 35
Measures and weights	
Weight	3.80 kg



Subjects to change.