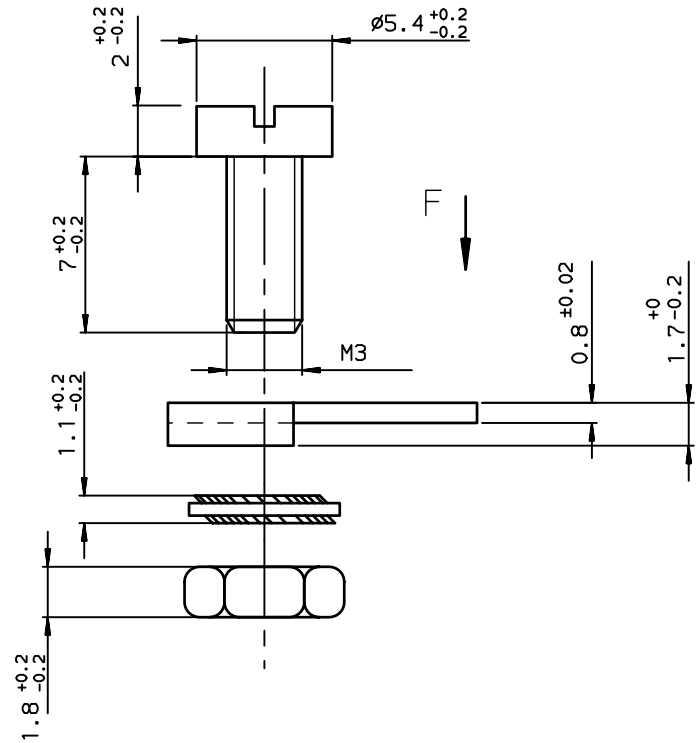
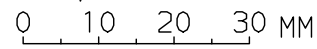
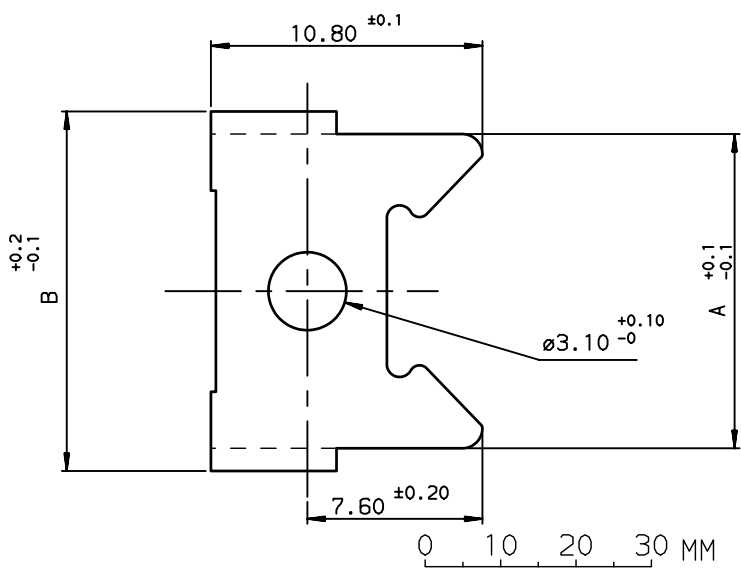


PLATING : zinc



view F

| PART NUMBER | PACKAGING | A | B |
|-------------|----------------|-------|-------|
| 86303425 | per 100 pieces | 12.50 | 14.30 |
| 863034252 | per 2 pieces | 12.50 | 14.30 |
| 86303426 | per 100 pieces | 15.30 | 17.10 |
| 863034262 | per 2 pieces | 15.30 | 17.10 |



| | | | | | |
|---------------------------------------|-----------|---|-----------------------------------|-----------------------|---------------|
| www.fciconnect.com | | surface ISO 1302 ✓ | tolerance std ISO 406 ISO 1101 | projection A3 | mm |
| TOLERANCES UNLESS OTHERWISE SPECIFIED | | | | | |
| Dr | JARRY | 1997/06/11 | ANGULAR | 0.X ±0.1 | size A3 |
| Eng | FONTENEAU | 1997/06/11 | LINEAR | 0.XX ±0.1 | Scale 5 |
| Chr | LEGARE | 1997/06/11 | 0.XX' ±2' | 0.XXX ±0.1 | ECN LS09-0006 |
| Appr | LEGARE | 1997/06/11 | Product family | D-SUB | Spec ref - |
| FCJ | | title LEVER LOCKS FEMELLE (SHELL SIZE 09 15 25 37 50) | | dwg no C01-8655-0707 | Rev. D |
| - | | catalog no - | | CUSTOMER sheet 1 of 1 | |

European Views

Copyright FCJ, FCJ

REV F - 2006-04-17