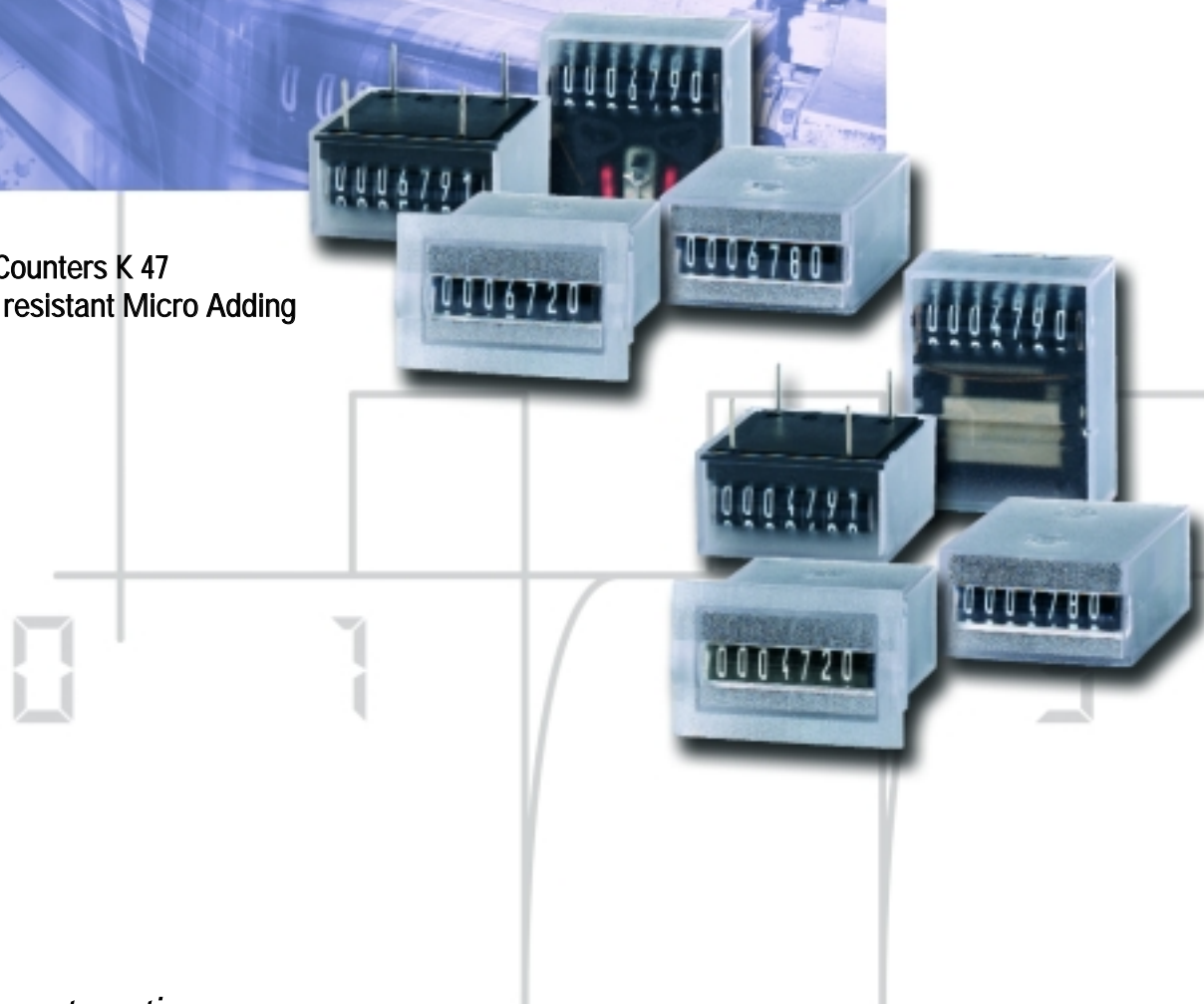


New: 7digit micro totalizer



- Micro Adding Counters K 47
- Magnetic field resistant Micro Adding Counters K 67



Micro Adding Counter K 47, shock resistant



- 7-digit micro adding counter
 - low cost
 - **high shock resistance**
 - low power consumption; suitable for battery operation
 - small dimensions
 - magnified large figures
 - different mounting solutions
 - flush mount with integrated spring clip (snap in)
- PCB-mount versions
 - solderable and wash proof
 - protection to IP 66
 - stores value also at power failure
 - long service life (50×10^6 impulses)

Applications

charge counting, kWh registration, alarm systems, compact units, copiers, fuel dispensers, medical techniques, miniature pumps, dosing techniques, gates, general event counting

Technical data:

Electrical connection:	flush mount:	flying leads AWG 22, appr. 150mm long	solderable and wash proof types:	K 47.80, K 47.90, K 47.91
	PCB-mount:	solder pins $\varnothing 0,64$ mm	Protection:	IP 66 (K 47.20: frontside only)
Power consumption:	bis 12 V DC:	appr. 70 mW	Housing:	clear plastic PC (polycarbonate) t
	at 24 V DC:	appr. 150 mW	Weight:	12 ... 15 g
Rated voltage:	1,5/3/4,5/5/6/12/24 V DC -10% $+20\%$			
Counting frequency:	max. 10 Imp/s (type. 0)			
Pulse duration:	min. 50 ms			
Pulse interval:	min. 50 ms			
Cyclic duration factor:	100 %			
Number of digits:	7			
Counting system:	adding			
Height of figures:	4 x 1,25 mm optical			
Color of figures:	white on black			
Reset:	no reset			
Ambient temperature:	$-10 \dots +60$ °C			
Mounting position:	number wheel view horizontal			
Operating life:	$> 50 \times 10^6$ impulses			
	Options:	K 47.20, K 47.80: flat pin 0,8 x 2,8 mm with push on connectors		
		K 47.20: solder pins $\varnothing 0,64$ mm		
		K 47.80: flying leads AWG 22 appr. 150 mm long		
		K 47.9 ... 71: type with spacer (Height 6 mm for component superstruction on PCB)		
	Options:	- different voltages		
		- counting frequency >10 Imp/s		
		- different color of figures		
		- temperature range $-30 \dots +85$ °C		

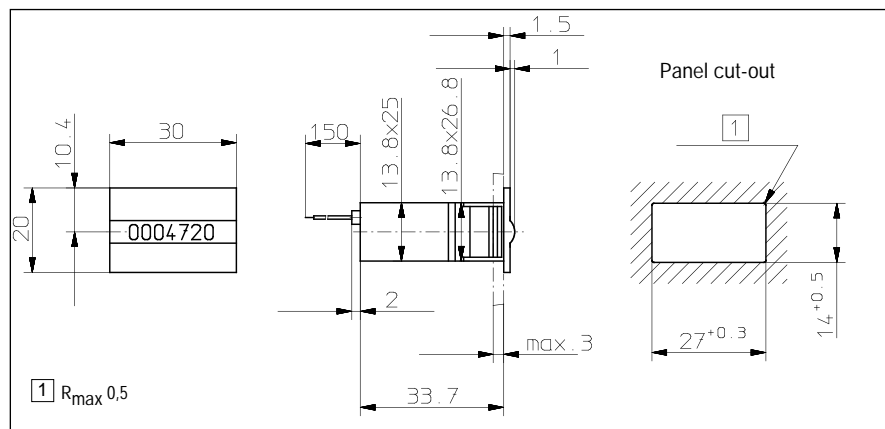
Type series:

Type	Display	El. connection	Description
K 47.20	small side	flying leads	flush mount with latch
K 47.80	small side	solder pins	PCB-mount wash proof
K 47.90	large side		
K 47.91	small side		

Ordering information:

- article number
- for Options please give exact counter type, voltage and option, e.g. K 47.20, 9 V DC/0 temperature range -20 °C ... $+70$ °C

Type K 47.20

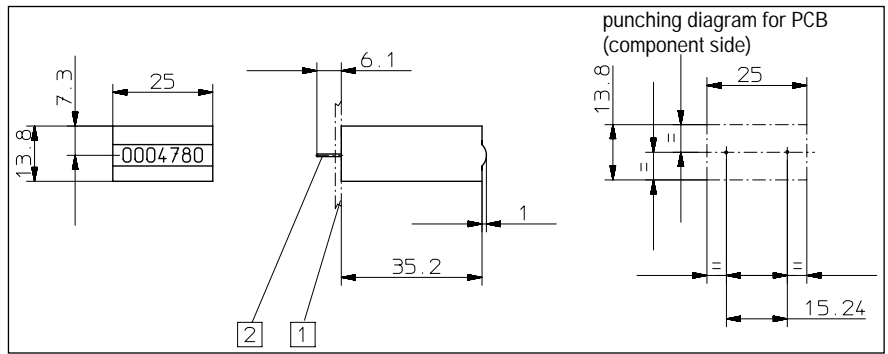


K 47.20	1,5 V Art.No.	3 V Art.No.	4,5 V Art.No.	5 V Art.No.	6 V Art.No.	12 V Art.No.	24 V Art.No.
DC (10 imp/s)	1.710.200.002	1.710.200.006	1.710.200.008	1.710.200.009	1.710.200.010	1.710.200.012	1.710.200.013

New: 7digit micro totalizer



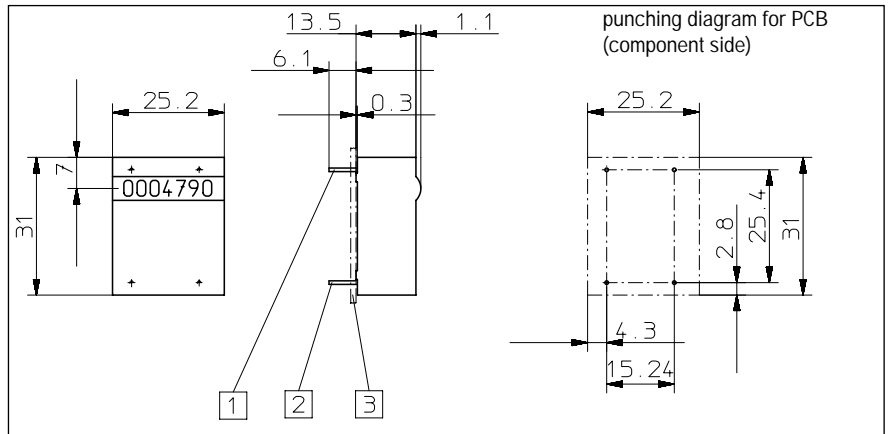
Type K 47.80



1 PCB 2 coil connections \varnothing 0,64

K 47.80	1,5 V Art.No.	3 V Art.No.	4,5 V Art.No.	5 V Art.No.	6 V Art.No.	12 V Art.No.	24 V Art.No.
DC (10 imp/s)	1.710.800.002	1.710.800.006	1.710.800.008	1.710.800.009	1.710.800.010	1.710.800.012	1.710.800.013

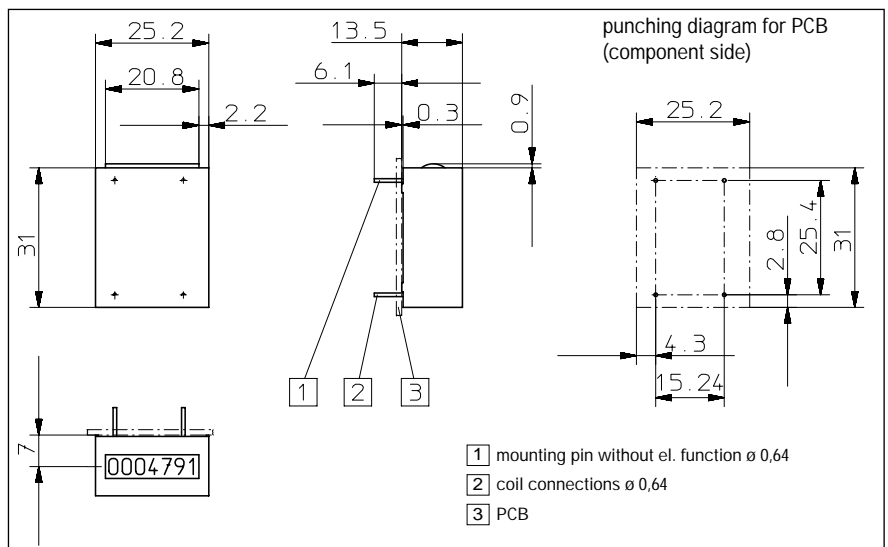
Type K 47.90



1 mounting pin without el. function \varnothing 0,64 2 coil connections \varnothing 0,64 3 PCB

K 47.90	1,5 V Art.No.	3 V Art.No.	4,5 V Art.No.	5 V Art.No.	6 V Art.No.	12 V Art.No.	24 V Art.No.
DC (10 imp/s)	1.710.900.002	1.710.900.006	1.710.900.008	1.710.900.009	1.710.900.010	1.710.900.012	1.710.900.013

Type K 47.91



1 mounting pin without el. function \varnothing 0,64
2 coil connections \varnothing 0,64
3 PCB

K 47.90	1,5 V Art.No.	3 V Art.No.	4,5 V Art.No.	5 V Art.No.	6 V Art.No.	12 V Art.No.	24 V Art.No.
DC (10 imp/s)	1.710.910.002	1.710.910.006	1.710.910.008	1.710.910.009	1.710.910.010	1.710.910.012	1.710.910.013

Micro Adding Counter K 67, shock and magnetic field resistant



- 7-digit micro adding counter
- **magnetic resistant due to patented copper moving parts system**
- **highest shock resistance with patented anti shock system**
- low power consumption; suitable for battery operation
- magnified large figures
- different mounting solutions
- flush mount with integrated spring clip (snap in)
- PCB-mount

- solderable and wash proof versions
- Protection to IP 66
- maintenance at voltage failure
- long service life (50x 10⁶ impulses)

Applications

charge counting, KWh registration, alarm systems, compact units, copy machines, fuel dispensers because of the magnetic field resistance (especially suitable for account function, general event counting, rendering machines).

Technical data:

Electrical connection:	flush mount:	flying leads AWG 22 appr. 150 mm
	PCB-mount:	solder pins ø 0,64 mm
Power consumption:	bis 6 V DC:	appr. 70 mW
(at 20 °C) at 12 V DC:		appr. 120 mW
	at 24 V DC:	appr. 500 mW
Rated voltage:	1,5/3/4,5/5/6/12/24 V DC -10 % +20 %	
Counting frequency:	max. 10 Imp/s (type. 0)	
Pulse duration:	min. 50 ms	
Pulse interval:	min. 50 ms	
Cyclic duration factor:	100 %	
Number of digits:	7	
Counting system:	adding	
Height of figures:	4 x 1,25 mm optical	
Color of figures:	white on black	
Reset:	no reset	
Ambient temperature:	-10 ... +60 °C	
Mounting position:	number wheel view horizontal	

Operating life:	> 50 x 10 ⁶ impulses
Solderable and wash proof:	K 67.80, K 67.90, K 67.91
Protection:	IP 65 (K 67.20: frontside only)
Housing:	clear plastic PC (polycarbonat) types with protection IP 65 are sealed in
Weight:	9 ... 11 g

Options

K 67.20, K 67.80:	flat pin 0,8 x 2,8 mm and push on connectors
K 67.20:	solder pins ø 0,64 mm
K 67.80:	flying leads AWG 22 appr. 150 mm long
K 67.9 ... 71	type with spacer (Height 6 mm for component superstruction on PCB) - different voltages - counting frequency >10 Imp/sec - different color of figures - temperature range -30 ... +85 °C

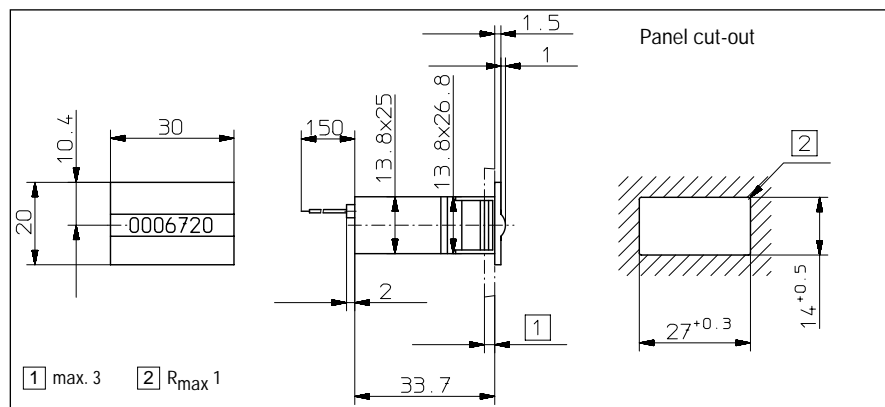
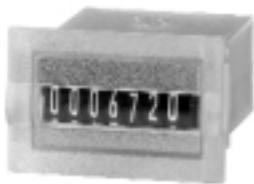
Type series:

Type	Display	El. connection	Description
K 67.20	small side	flying leads	flush mount with latch
K 67.80	small side	solder pins	PCB-mount wash proof
K 67.90	large side		
K 67.91	small side		

Ordering information:

- article number 1.680.9X0.XXX
- for options please give exact counter type, voltage and option, e.g.
K 67.20, 9 V DC/0 temperature range
-20 °C ... +70 °C

Type K 67.20

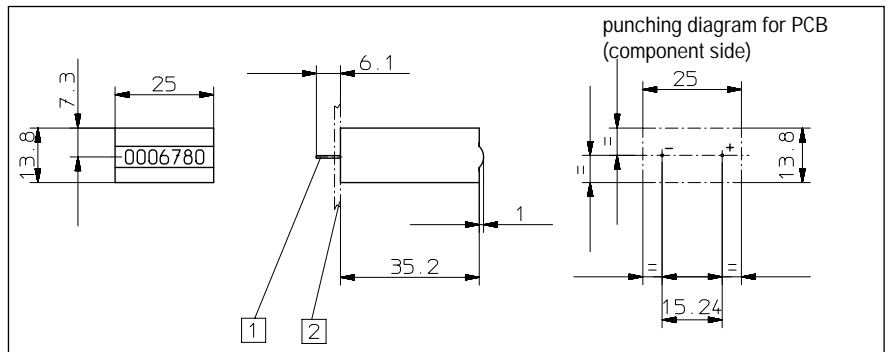


K 67.20	1,5 V Art.No.	3 V Art.No.	4,5 V Art.No.	5 V Art.No.	6 V Art.No.	12 V Art.No.	24 V Art.No.
DC (10 imp/s)	1.660.200.002	1.660.200.006	1.660.200.008	1.660.200.009	1.660.200.010	1.660.200.012	1.660.200.013

New: 7digit micro totalizer



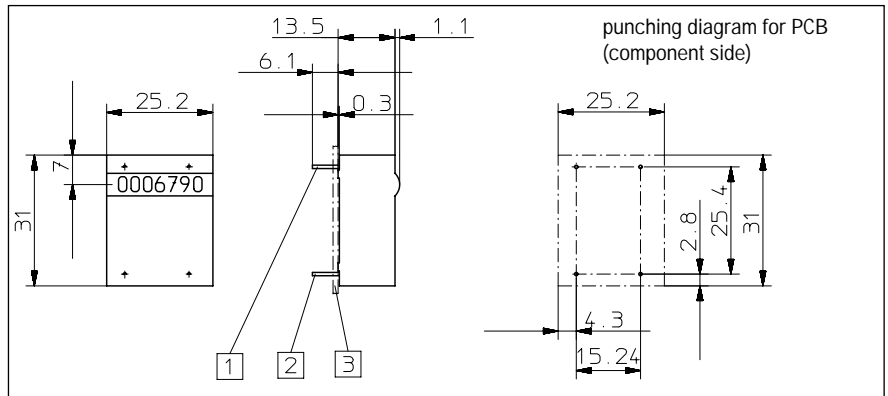
Type K 67.80



1 PCB 2 coil connections $\varnothing 0,64$

K 67.80	1,5 V Art.No.	3 V Art.No.	4,5 V Art.No.	5 V Art.No.	6 V Art.No.	12 V Art.No.	24 V Art.No.
DC (10 imp/s)	1.660.800.002	1.660.800.006	1.660.800.008	1.660.800.009	1.660.800.010	1.660.800.012	1.660.800.013

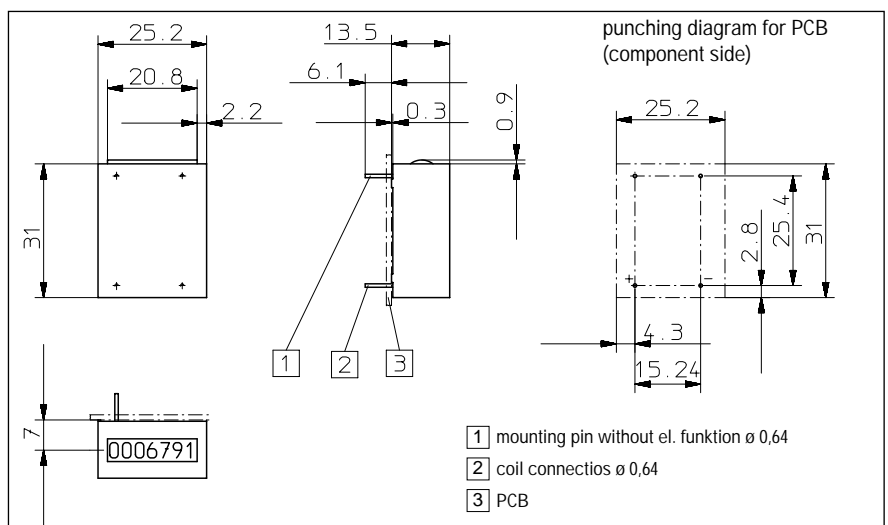
Type K 67.90



1 mounting pin without el. function $\varnothing 0,64$ 2 coil connections $\varnothing 0,64$ 3 PCB

K 67.90	1,5 V Art.No.	3 V Art.No.	4,5 V Art.No.	5 V Art.No.	6 V Art.No.	12 V Art.No.	24 V Art.No.
DC (10 imp/s)	1.660.900.002	1.660.900.006	1.660.900.008	1.660.900.009	1.660.900.010	1.660.900.012	1.660.900.013

Type K 67.91



1 mounting pin without el. funktion $\varnothing 0,64$
2 coil connectios $\varnothing 0,64$
3 PCB

K 67.91	1,5 V Art.No.	3 V Art.No.	4,5 V Art.No.	5 V Art.No.	6 V Art.No.	12 V Art.No.	24 V Art.No.
DC (10 imp/s)	1.660.910.002	1.660.910.006	1.660.910.008	1.660.910.009	1.660.910.010	1.660.910.012	1.660.910.013



Fritz Kübler GmbH
Zähl- und Sensortechnik
P.O. BOX 3440
D-78023 Villingen-Schwenningen
GERMANY
Tel.: +49 -(0) 77 20 - 39 03 - 0
Fax.: +49 -(0) 77 20 - 2 15 64
sales@kuebler.com
www.kuebler.com