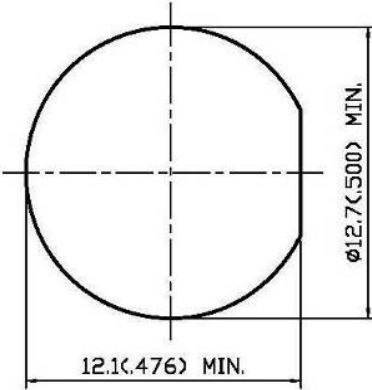
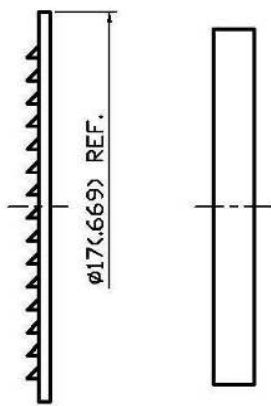
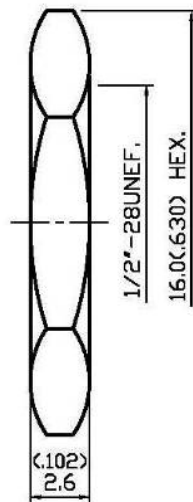
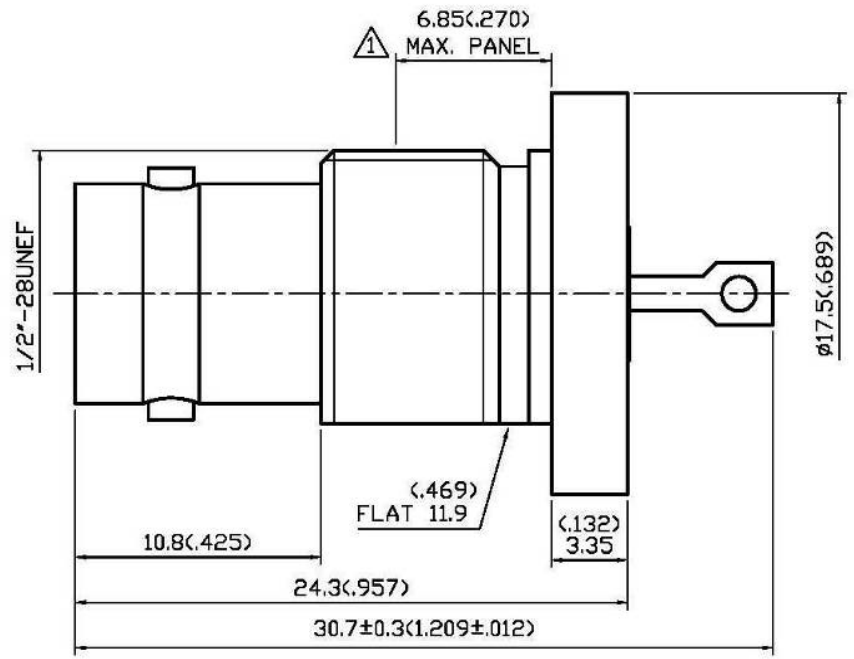


NO	DESCRIPTION	DATE
①	MODIFY 5.2	08.01.12'
②	ADD VOLTAGE RATING	12.28.12'
③	ADD VSWR	05.27.13'



MOUNTING HOLE



1.0 ELECTRICAL

- 1.1 FREQUENCY RANGE: DC-4 GHz
- 1.2 NOMINAL IMPEDANCE: 50 OHM
- 1.3 VOLTAGE RATING: 500 VOLTS MAX. ②
- 1.4 VSWR: 1.5 MAX. @2 GHz ③

2.0 MATERIALS

- 2.1 BODIES: BRASS PER JIS-C3604
- 2.2 CENTER CONTACT: BRASS PER JIS-C3604
- 2.3 INSULATION: TEFLON PER ASTM D1457 AND ASTM D1710

3.0 FINISHES AND OTHERS

- 3.1 SEE BELOW TABLE FOR DETAILS.

4.0 MECHANICAL

- 4.1 INTERFACE IN ACCORDANCE WITH: MIL-STD-348A

5.0 ENVIRONMENTAL

- 5.1 OPERATING TEMPERATURE RANGE: -65° C TO +165° C
- 5.2 CONNECTOR MUST WITHSTAND WATERPROOF LEAK TEST PRESSURE 7kg/cm² MIN. ①

8	HERMETICALLY SEALED	—	1	GOLD 3μ" MIN.
7	BODY	BRASS	1	NICKEL 100μ" MIN.
6	INSULATION	TEFLON	1	NONE
5	CENTER CONTACT	BRASS	1	GOLD 30μ" MIN.
4	WASHER II	BRASS	1	NICKEL
3	GASKET	SILICONE	1	RED
2	WASHER I	STEEL	1	NICKEL
1	NUT	BRASS	1	NICKEL 100μ" MIN.
NO	DESCRIPTION	MATERIAL	Q'TY	FINISH



APPROVED by _____ DATE: _____

DESCRIPTION		HERMETICALLY SEALED BNC STRAIGHT BULKHEAD JACK RECEPTACLE							
製圖	DRAWN	TOLERANCE	品名	13-25-28	T.G.N	日期	DATE	版次	REV.
	Yoko	.X ±0.2	TITLE	\ROHS COMPLIANT	<50Ω	05.22.12'		A-3	
檢圖	CHECK	.XX ±0.1	單位	UNIT	DWG.NO.	13-0649			
	Ivan	.XXX ±0.05	mm(in)						
認定	APPROVAL	ANGLE ±5°	比例	SCALE					
	Jenny		4:1						