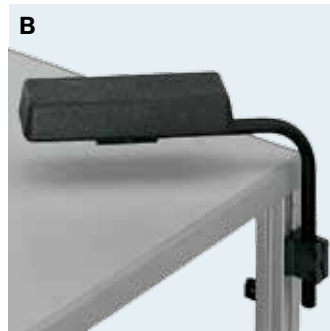




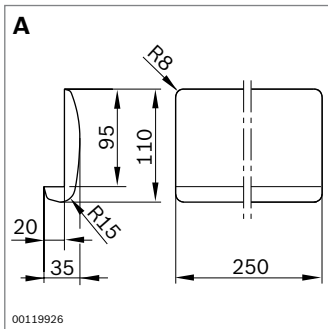
00120932



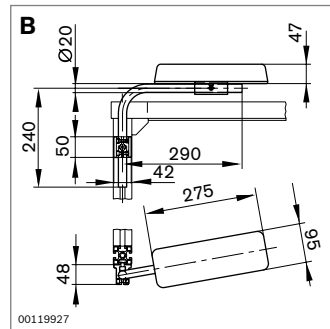
6820



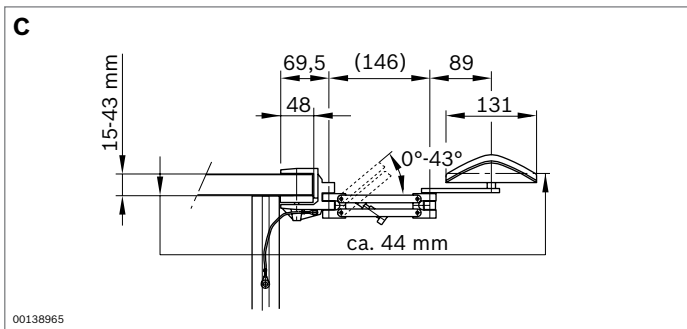
00120935



00119926



00119927



00138965

Armrest



Armrest (A)

- ▶ Soft support pads protect wrists and arms
- ▶ ESD version: Conductive. ESD conductivity can be reduced by UV rays, heat, wear and chemicals. A yearly check is recommended.

Material: flexible PUR foam; black

Required accessories: double-sided tape (copper tape for ESD version) for fixing to table top

Adjustable armrest (B)

- ▶ Relieves arm strain during assembly work
- ▶ Fastened to table frame; suitable for all Rexroth box-type workstations

Pad material: flexible PUR foam; black

Scope of delivery: includes fastening material (10 mm slot)

Armrest with pad (C)

- ▶ Relieves arm strain during assembly work
- ▶ Hinges allow precisely controlled movements
- ▶ Clamp attachment to table top
- ▶ ESD version for use at ESD workstations

Pad material: leather; white

ESD pad material: leather; black

	ESD	No.
A Armrest		3 842 191 186
		3 842 516 704
B Adjustable armrest		3 842 191 178
C Armrest with pad		3 842 515 493
		3 842 515 525