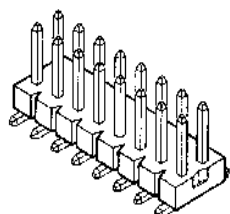


95278-101A16LF - BergStik®
: Unshrouded Header, SMT,
Double Row, 16 Positions, 2.54
mm Pitch, Vertical, 5.84 mm
(0.23 in.) Mating



www.fci.com



Mating Half

- ▶ 87606-308LF
- ▶ 76342-308LF
- ▶ 89898-308LF
- ▶ 71609-308LF

Specifications

General

Number of contacts (per row)	8
Number of contacts (Total)	16
Number of rows	2
Orientation	Vertical
Packaging	Tape and Reel with Pick-Up Cap
Attachment type (Board)	Surface Mount
Series Number	95278
Dimensional	
Length (Mating pin)	5.84 mm (0.23 in.)
Length (Overall pin)	10.8 mm (0.425 in.)
Electrical	
Current rating	3 amp Continuous
Resistance (Insulation)	5000 M-ohms
Voltage rating	1500V AC rms
Mechanical	
Retention force	8.88N (2 lbf)
Mounting	
Retention feature (Board)	No
Solder process	IR Reflow Soldering Processes Compatible with Vapor-phase
Physical	
Color (Housing)	Black
Material (Contact)	Phospor Bronze

Material (Housing)	High Temperature Black Thermoplastic
Plating (Contact area)	0.76 µm (30 µin.) Gold
Plating (Tail)	Tin
Underplating (Contact)	1.27 µm (50 µin.) Nickel
Flammability rating	UL 94 V-0
Temperature (Range)	-65°C to +125°C
Approvals / Certifications	
UL File Number	E66906
CSA File Number	LR46923
Approvals / Certifications	UL and CSA Approved
Other Features	
Comments	Sample Kit 950501-016
Literature	950559-001

PRODUCT NUMBER
95278-YXX-XXLF

- WHEN REQUIRED, ADD SUFFIX LETTER "LF" INDICATES THE PRODUCT IS RoHS COMPATIBLE, SEE NOTE 6
- TOTAL NB OF POSITIONS 04 TO 50
- PACKAGING OPTIONS, NOTE 3.
- PIN STYLE SEE SHEET 2
- PLATING SEE SHEET 2

NOTES:

1. HOUSING MAT'L : HIGH TEMPERATURE THERMOPLASTIC. UL94V-0 COLOR: BLACK
2. PIN MATERIAL : PHOSPHOR BRONZE
- 3 - PACKAGING OPTIONS:
 - = POLY BAGS
 - B = TUBE + CAP
 - A = TAPE & REEL WITH CAP, SEE TA840 FOR PRODUCT AVAILABILITY.
 - TR = TAPE & REEL WITH CAP, SEE TA840 ONLY FOR P/N 95278-102TR04LF
4. 9N MIN RETENTION IN EITHER DIRECTION
5. TO DETERMINE DIMENSIONS :
N = NUMBER OF POSITIONS PER ROW
EXAMPLE : 8 POS N x 2.54 = 20.32mm
6. RoHS COMPATIBLE PRODUCT SPECIFICATIONS

a - PLATING:

- "LF" MEANS THE PRODUCT IS LEAD-FREE, 2µm MINIMUM MATTE TIN OVER 1.27µm MINIMUM NICKEL UNDERPLATE.

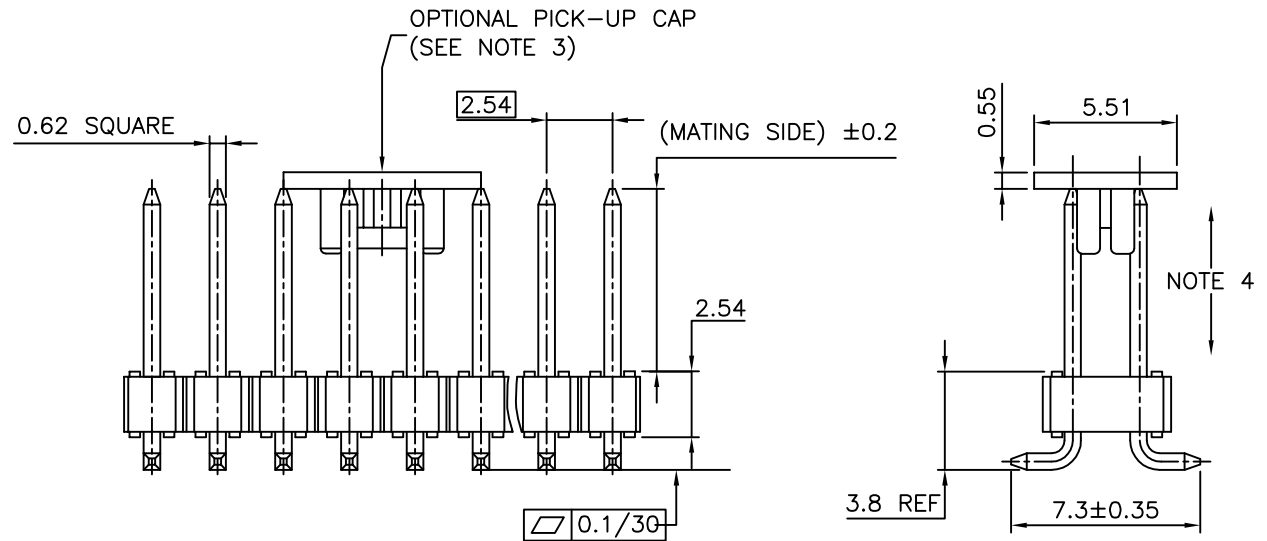
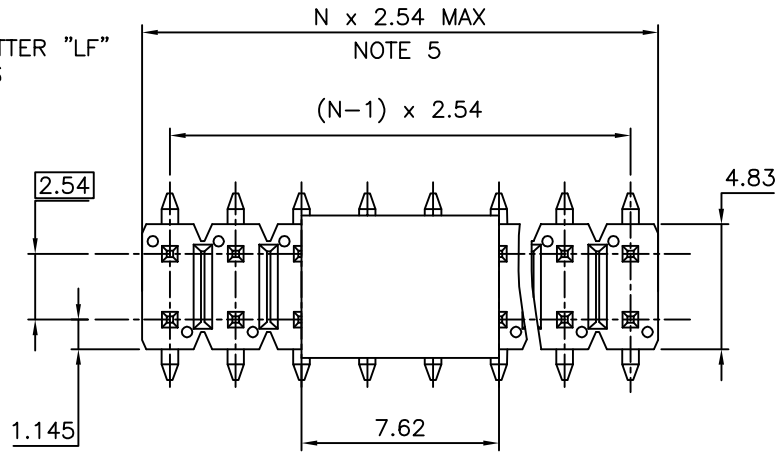
b - MANUFACTURING PROCESS COMPATIBILITY

- THE HOUSING WILL WITHSTAND EXPOSURE TO 260°C PEAK TEMPERATURE FOR 30 SECONDES IN A CONVECTION, INFRA-RED OR VAPOR PHASE REFLOW OVEN.

c - LABELING:

- MEETS PACKAGING SPECS AS PER GS-14-920

d - LEGAL STATEMENT: SEE GS-22-008



mat'l. code		surface		tolerance		projection		product family	
		ISO 1302		ISO 406 ISO 1101		mm		BERGSTIK	
ltr		ecn no		date		tolerances unless otherwise specified		title	
N		F08-0148		RTR 08.03.31		angles linear		UNSHR.HEADER	
P		F08-0253		LMU 08.12.10		xxx ±0.05		DR SMT	
R		F10-0008		LMU 10.03.09		scale 5:1		dwg no	
K		F06-0168		LMU 06.04.21		D.LE 01.01.24		sheet 1 of 2	
L		F06-0206		JCO 06.06.22		engr JM.C 01.01.24		size	
M		F08-0124		LMU 08.02.11		chr JM.C 01.01.24		95278	
						appd JF.N 01.01.24		A3	
sheet index		revision sheet		R N				type	
		1 2						CUSTOMER Drawing	

CORE RANGE		
PLATING	PIN STYLE	MATING
1	01	5.9

PLATING
1 = 0.76µm GOLD/GXT ON CONTACT AREA
3.81µm TIN/LEAD ON TAIL

WHEN "LF" IS REQUIRED, 2µm MIN
MATTE TIN OVER 1.27µm MIN NICKEL
INSTEAD OF TIN-LEAD

CATALOGUE RANGE		
PLATING	PIN STYLE	MATING
4/8	01	5.9
1/4/8	02	8

PLATING
1 = 0.76µm GOLD/GXT ON CONTACT AREA
3.81µm TIN-LEAD ON TAIL

4 = 3.81µm TIN-LEAD ON CONTACT AREA
AND ON TAIL

8 = 0.38µm GOLD/GXT ON CONTACT AREA
3.81µm TIN-LEAD ON TAIL

WHEN "LF" IS REQUIRED, 2µm MIN
MATTE TIN OVER 1.27µm MIN NICKEL
INSTEAD OF TIN-LEAD

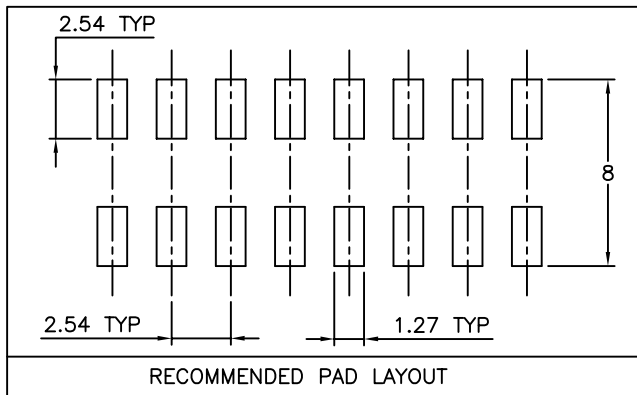
APPLICATION SPECIFIC		
PLATING	PIN STYLE	MATING
1/4/8	06	10.4
1/4/8	07	5.3
1/4/8	09	17.00
1/4/8	10	8.10

PLATING
1 = 0.76µm GOLD/GXT ON CONTACT AREA
3.81µm TIN-LEAD ON TAIL

4 = 3.81µm TIN-LEAD ON CONTACT AREA
AND ON TAIL

8 = 0.38µm GOLD/GXT ON CONTACT AREA
3.81µm TIN-LEAD ON TAIL

WHEN "LF" IS REQUIRED, 2µm MIN
MATTE TIN OVER 1.27µm MIN NICKEL
INSTEAD OF TIN-LEAD



mat'l. code		surface <input checked="" type="checkbox"/> ISO 1302		tolerance <input checked="" type="checkbox"/> ISO 406 <input type="checkbox"/> ISO 1101		projection		product family BERGSTIK	
ltr	ecn no	dr	date	tolerances unless otherwise specified				title UNSHR.HEADER DR SMT	
N	F08-0253	LMU	08.12.10	angles	linear	scale N/A		dwg no 95278 sheet 2 of - size A3	
H	F10181	LMU	01.03.29					type CUSTOMER Drawing	
J	F04-0362	JCO	04.12.10	dr	D.LE	01.01.24			
K	F06-0208	JCO	06.06.22	enr	JM.C	01.01.24			
L	F08-0124	LMU	08.02.11	chr	JM.C	01.01.24			
M	F08-0148	RTR	08.03.31	appd	JF.N	01.01.24			
sheet index	revision sheet								