


Ordering number C13118_STRADA-SQ-A-T

Family	Strada-SQ	FWHM	Asym degrees
Type	Lens	Efficiency	93 %
LED	XM-L	cd/Im	0.300
Color	Clear	Gerber File	Available
Diameter	25 + 25 mm		
Height	9 mm		
Style	Square		
Optic Material	PMMA		
Holder Material	-		
Fastening	Screw, pin, glue		
Status	Ready		

Ordering number CA13119_STRADA-SQ-A-T

Family	Strada-SQ	FWHM	Asym degrees
Type	Assembly	Efficiency	93 %
LED	XM-L	cd/Im	0.300
Color	Clear	Gerber File	Available
Diameter	25 + 25 mm		
Height	9.1 mm		
Style	Square		
Optic Material	PMMA		
Holder Material	-		
Fastening	Screw, pin, tape		
Status	Ready		



PRODUCT DATASHEET

Strada-SQ series

last update 15/11/2012

Ordering number C12410
Description 1

Family Strada-SQ
Type Lens
LED XM-L
Color Clear
Diameter 25 + 25 mm
Height 9 mm
Style Square
Optic Material PMMA
Holder Material -
Fastening -
Status Ready

FWHM Asym degrees
Efficiency 93 %
cd/lm -
Gerber File Available

Positioning: External position element / Automatic assembling li

Ordering number CA12411
Description 1

Family Strada-SQ
Type Assembly
LED XM-L
Color Clear
Diameter 25 + 25 mm
Height 9.15 mm
Style Square
Optic Material PMMA
Holder Material -
Fastening -
Status Ready

FWHM Asym degrees
Efficiency 93 %
cd/lm 0.510
Gerber File Available

Positioning: External position element / Automatic assembling li

NOTE: The typical divergence will be changed by different color, chip size and chip position tolerance. The typical total divergence is the full angle measured where the luminous intensity is half of the peak value.



PRODUCT DATASHEET Strada-SQ series

last update 15/11/2012

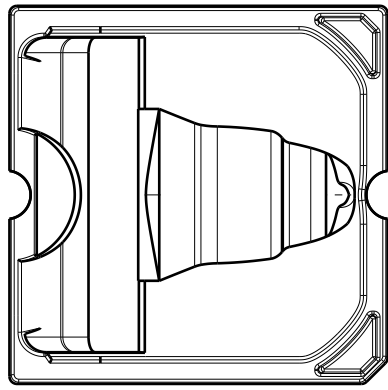
GENERAL INFORMATION

- Product series especially designed & optimized for XM-L series of LEDs.
- Special care taken to make light distribution as uniform as possible.
- Lens material optical grade PMMA with high UV and temperature resistance. Allows use of high current and temperature conditions.

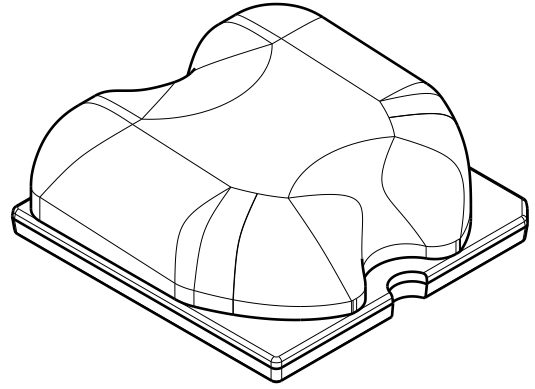
Please find more information about used material from below:

http://ledil.fi/sites/default/files/Documents/Technical/Material/PMMA%20N%20UL94_Yellow%20Card.pdf

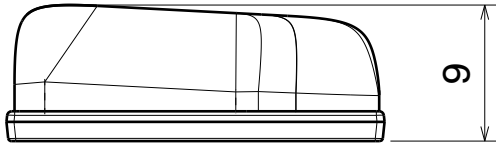
<http://ledil.fi/sites/default/files/Documents/Technical/Material/PMMA%20N%20PLEXIGLAS-Datasheet.pdf>



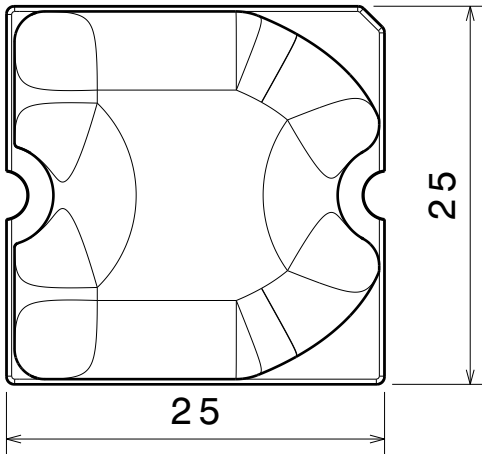
Bottom view



Isometric view



Front view



Top view

Tolerances if not otherwise shown:
According to DIN ISO 2768-1
Linear measures:
Up to 30mm class F, otherwise class M.

According to DIN ISO 2768-2
Form and position:
class K

Control for SPC marked dimensions.

This drawing is our property.
It can't be reproduced
or communicated without
our written agreement.



Ledil Oy
Salorankatu 10
FIN 24240 SALO
Finland

DRAWING TITLE Mechanical drawing

DRAWN BY
as
DATE
25.9.2012

STRADA-SQ-A-T

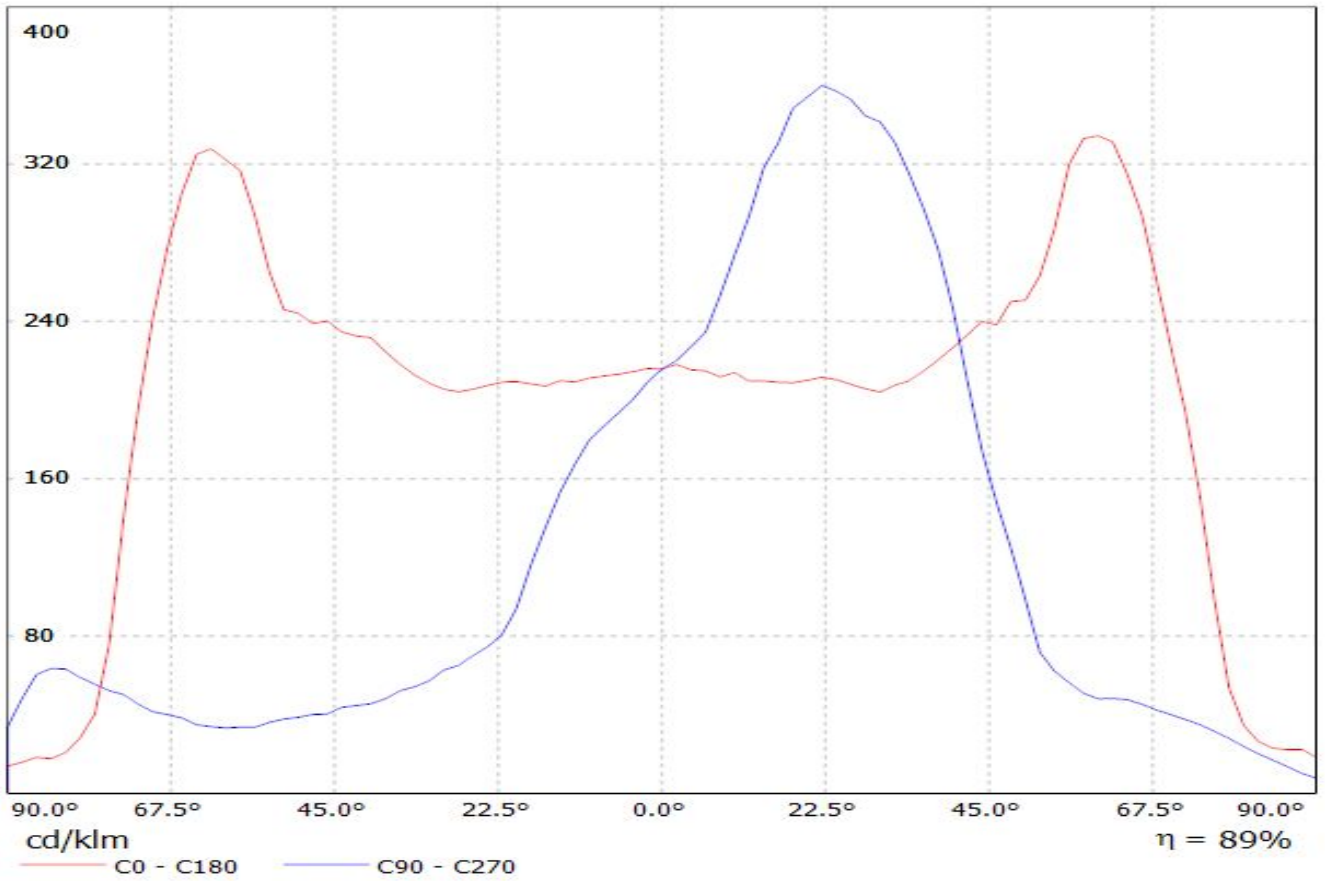
CHECKED BY
VS
DATE
-

SIZE A4
PART NUMBER
REV
001

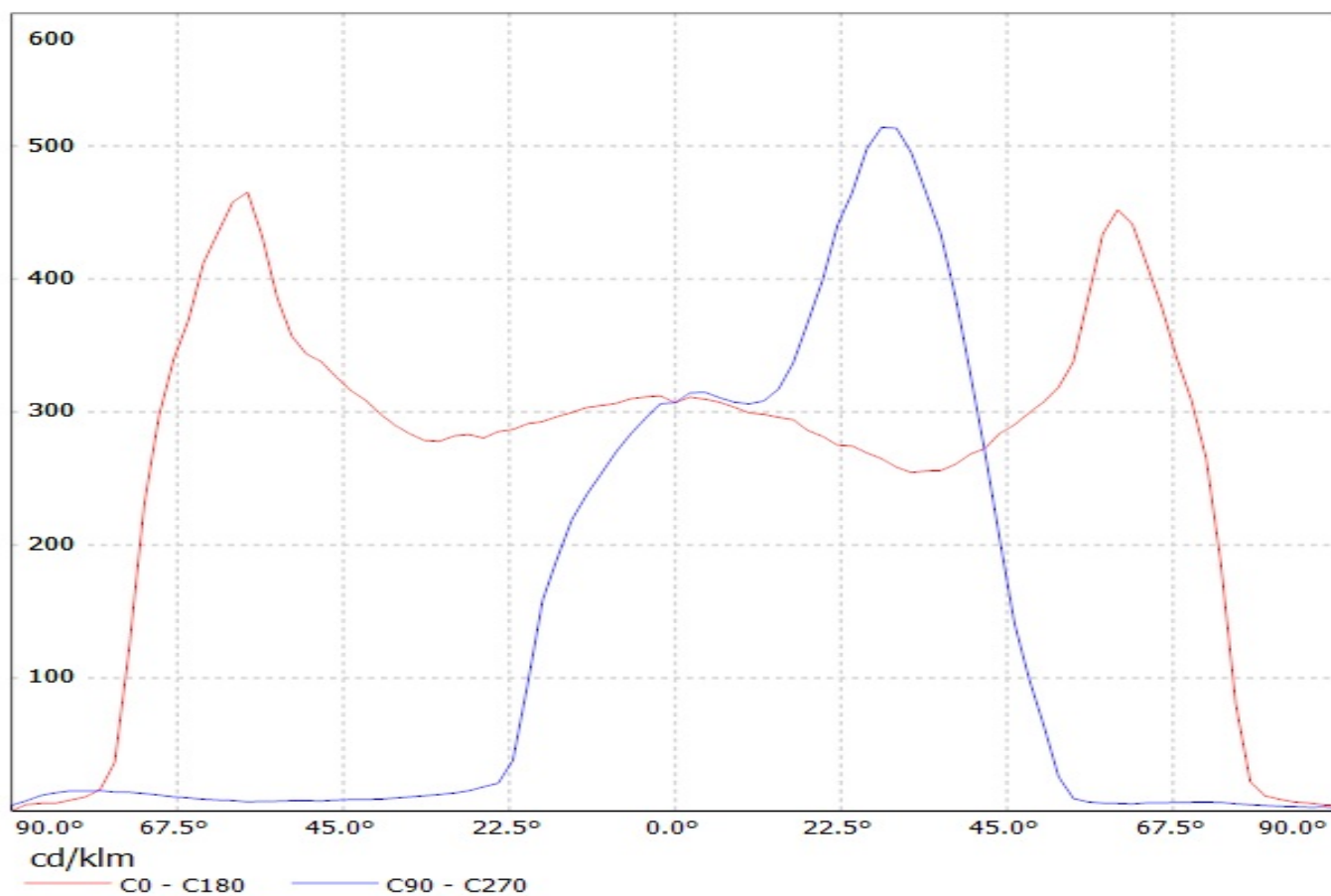
DESIGNED BY
-
DATE
-

SCALE 2:1
WEIGHT 4,97 g
SHEET 1/1

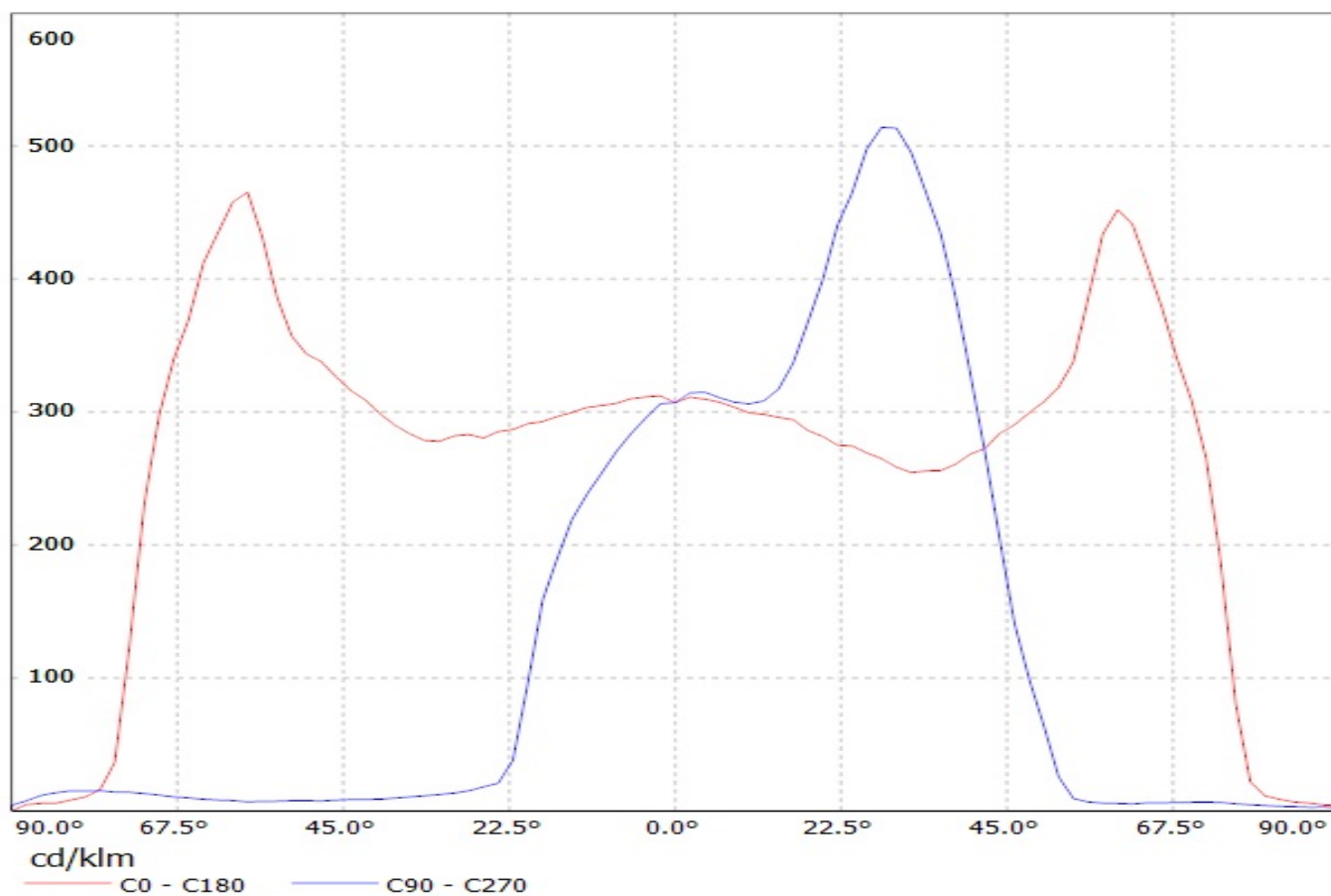
Luminaire: Ledil Oy C12410_STRADA-SQ-A-T-XM-L Efficiency=88%
Lamps: 1 x Cree XM-L 95lm @ 250mA



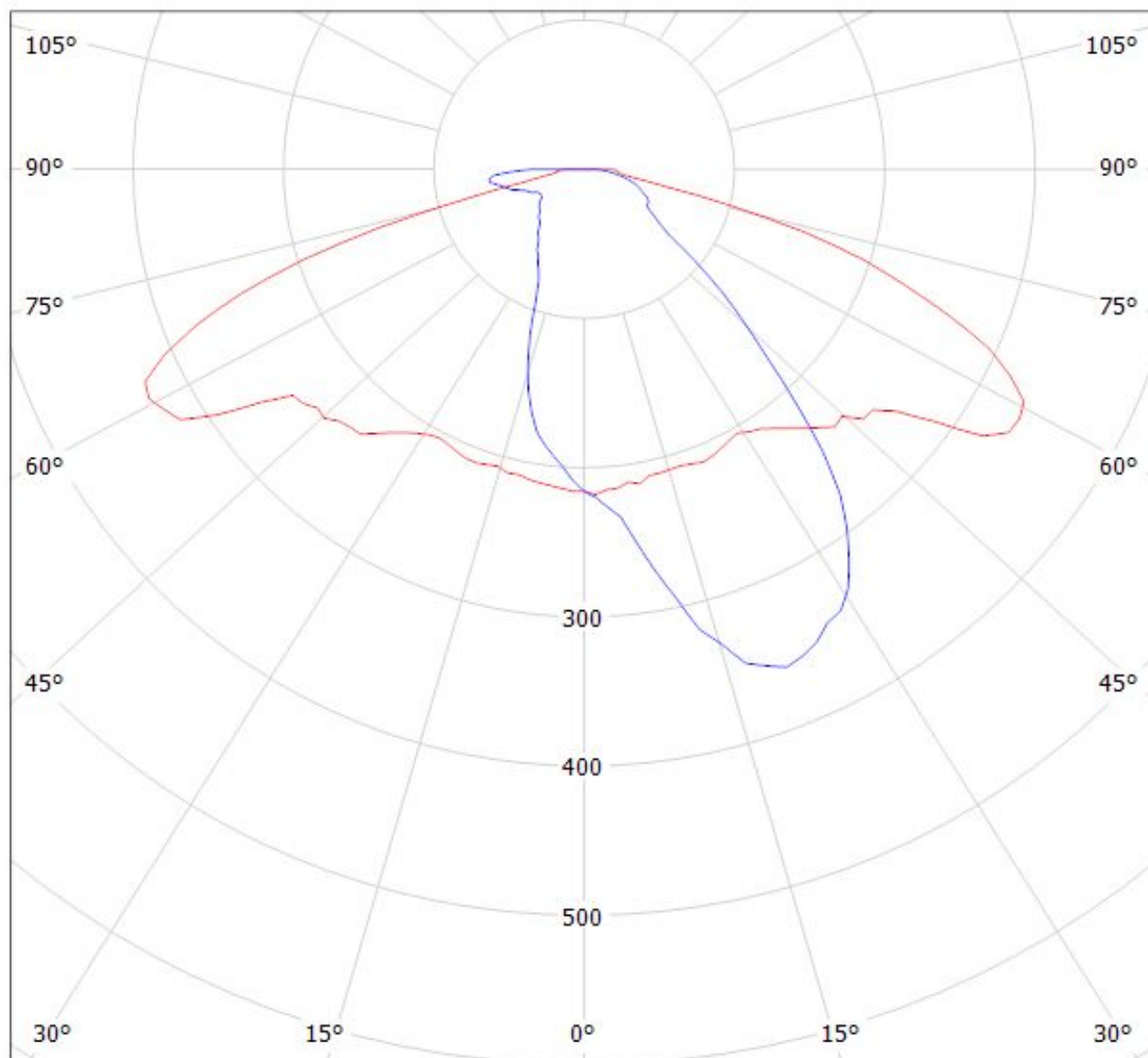
Luminaire: LEDiL Oy C13118_&_CA13119_STRADA-SQ-A-T-XML (Cree XM-L 84lm@250mA) Efficiency=93%
Lamps: 1 x Cree XM-L (84lm@250mA)



Luminaire: LEDiL Oy C13118_&_CA13119_STRADA-SQ-A-T-XML (Cree XM-L 84lm@250mA) Efficiency=93%
Lamps: 1 x Cree XM-L (84lm@250mA)



Luminaire: Ledil Oy C12410_STRADA-SQ-A-T-XM-L Efficiency=93%
Lamps: 1 x Cree XM-L 95lm @ 250mA

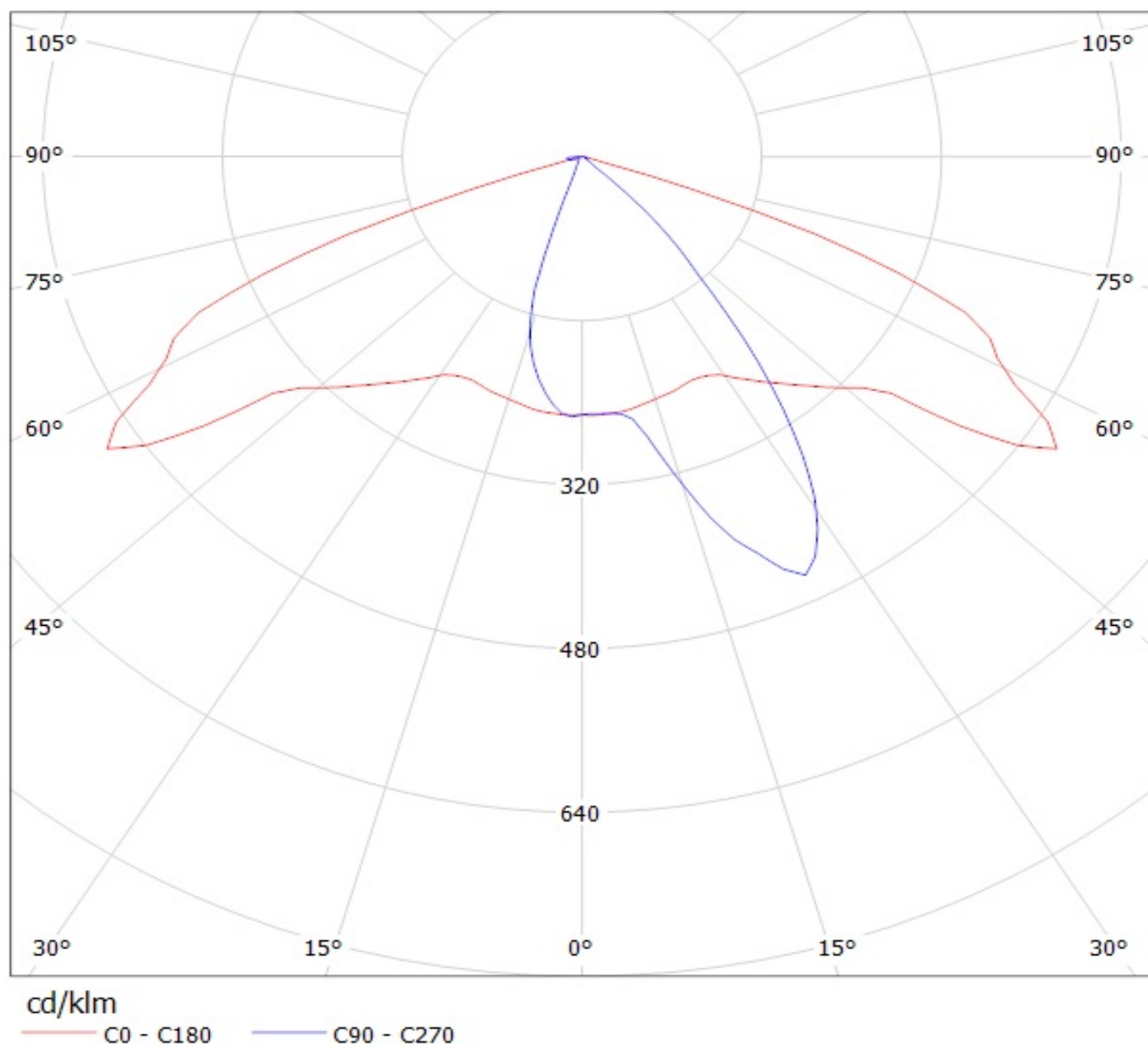


cd/klm

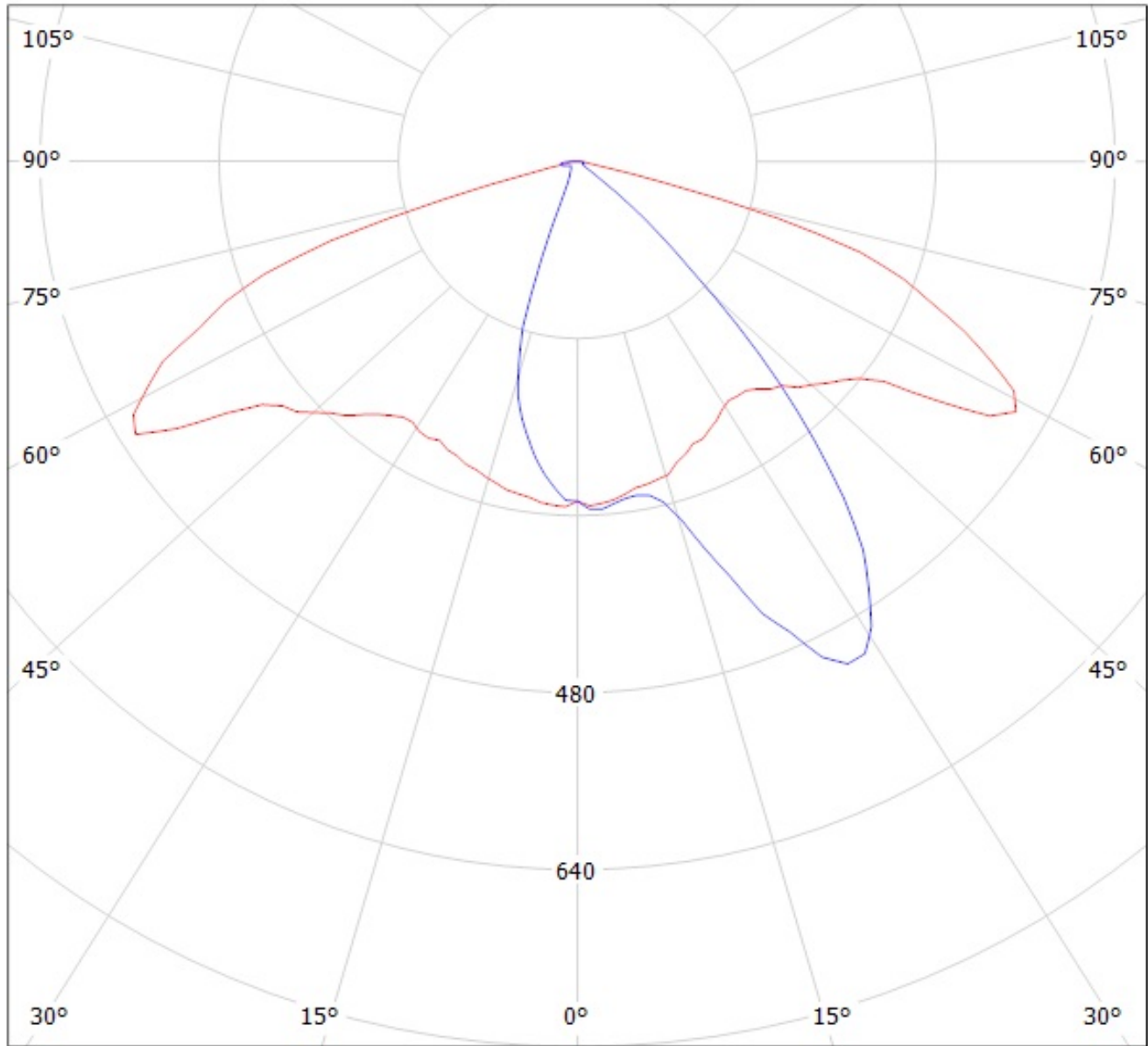
— C0 - C180 — C90 - C270

$\eta = 89\%$

Luminaire: Ledil oy C12411_STRADA-SQ-A-T-XM-L LOR=88%
Lamps: 1 x Cree XM-L 250mA 95lm



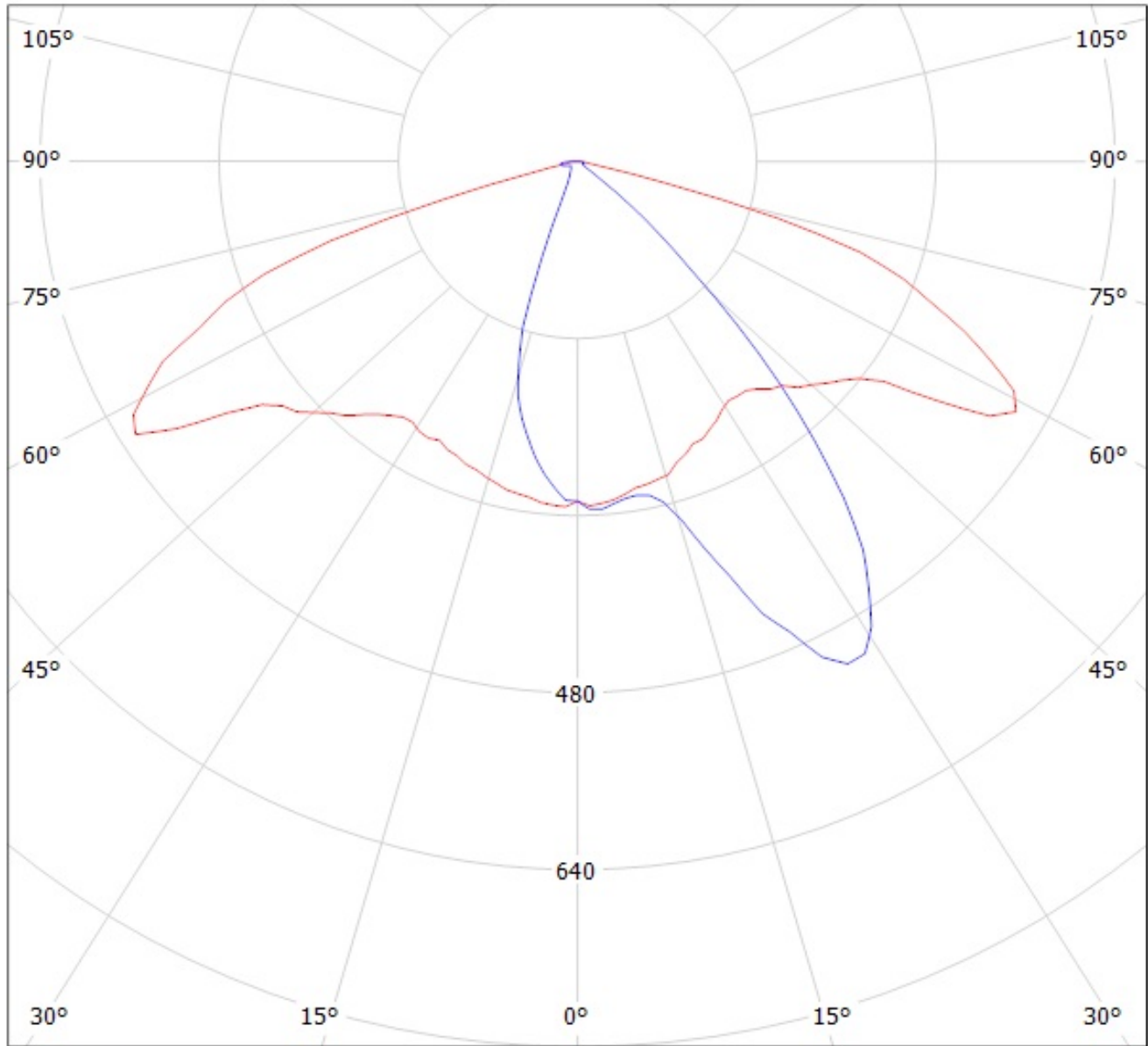
Luminaire: LEDiL Oy C13118 & CA13119_STRADA-SQ-A-T-XML (Cree XM-L 84lm@250mA) Efficiency=93%
Lamps: 1 x Cree XM-L (84lm@250mA)



cd/klm

— C0 - C180 — C90 - C270

Luminaire: LEDiL Oy C13118 & CA13119_STRADA-SQ-A-T-XML (Cree XM-L 84lm@250mA) Efficiency=93%
Lamps: 1 x Cree XM-L (84lm@250mA)



cd/klm

— C0 - C180 — C90 - C270