

**Ordering number C10982_CINDY-S**

Family	Cindy	FWHM	35 degrees
Type	Reflector	Efficiency	85 %
LED	CL-L233	cd/lm	1.400
Color	Metal	Gerber File	Available
Diameter	22.6 mm		
Height	12.5 mm		
Style	Hexag		
Optic Material	PC		
Holder Material	-		
Fastening	Glue		
Status	Ready		

**Ordering number C10983_CINDY-M**

Family	Cindy	FWHM	47 degrees
Type	Reflector	Efficiency	81 %
LED	CL-L233	cd/lm	1.500
Color	Metal	Gerber File	Available
Diameter	22.6 mm		
Height	12.5 mm		
Style	Hexag		
Optic Material	PC		
Holder Material	-		
Fastening	Glue		
Status	Ready		

**Ordering number C12211_CINDY-M2**

Family	Cindy	FWHM	48 degrees
Type	Reflector	Efficiency	82 %
LED	CL-L233	cd/lm	1.300
Color	Metal	Gerber File	Available
Diameter	22.6 mm		
Height	12.5 mm		
Style	Hexag		
Optic Material	PC		
Holder Material	-		
Fastening	Glue		
Status	Ready		

No metal coating on back side.

**Ordering number C10984_CINDY-W**

Family	Cindy	FWHM	59 degrees
Type	Reflector	Efficiency	88 %
LED	CL-L233	cd/lm	1.100
Color	Metal	Gerber File	Available
Diameter	22.6 mm		
Height	12.5 mm		
Style	Hexag		
Optic Material	PC		
Holder Material	-		
Fastening	Glue		
Status	Ready		



PRODUCT DATASHEET
Cindy series
last update 9/8/2012

CITIZEN

NOTE: The typical divergence will be changed by different color, chip size and chip position tolerance. The typical total divergence is the full angle measured where the luminous intensity is half of the peak value.



PRODUCT DATASHEET

Cindy series

last update 9/8/2012

CITIZEN

GENERAL INFORMATION

- Product series especially designed & optimized for CL-L233 series of LEDs.
- Special care taken to make light distribution as uniform as possible.
- Reflector is made of aluminium coated PC (120 degrees of Celcius / 248 degrees of Fahrenheit) with protective lacquer (110 degrees of Celcius / 230 degrees of Fahrenheit).
- Fastening to PCB with appropriate adhesive. By clicking link below you can find Ledil recommended glue options.
http://www.ledil.com/datasheets/DataSheet_GLUES.pdf

NOTE 1: We advise customer to ensure the suitability and sufficiency of the bond in the end product. For example, mechanical stress, vibration and holes on the surface of the circuit board weaken the strength of the glue.

NOTE 2: All surfaces where glue is applied must be clean, dry and free from grease and dirt. If cleaning of PCB surfaces is needed, please follow strictly the cleaning instructions of your LED manufacturer -this is important as cleaning shall under no circumstances damage LEDs or other electronics components on the PCB.

Further note that optical components shall not be cleaned with any chemicals - only micro fiber cloth may be used to remove fingerprints or other traces from handling.

D

C

B

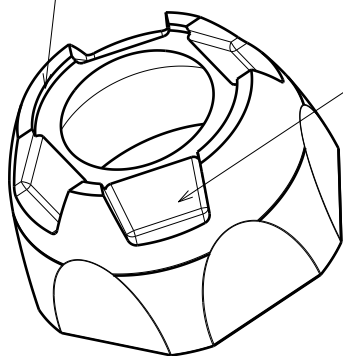
A

Guide profile for centering to LED

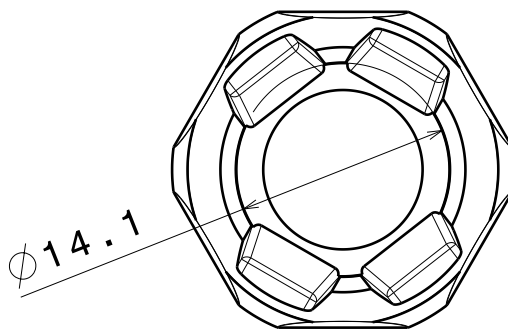
Recesses for solder pads/ screws

4

4



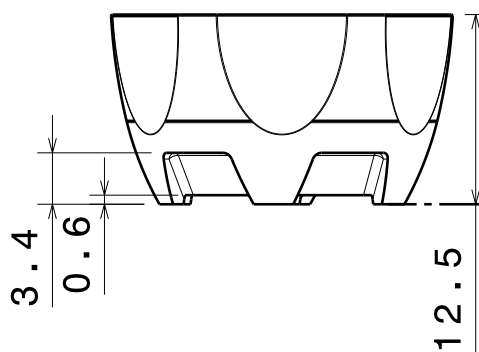
Bottom view



3

3

Front view



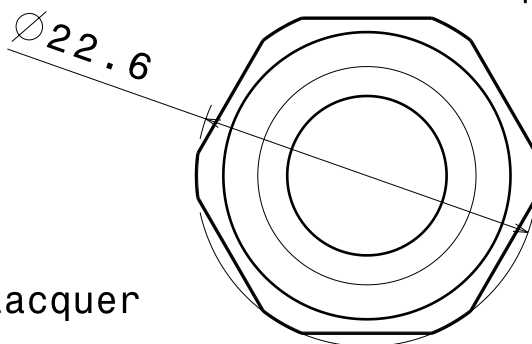
Top of PCB

2

2

Material: PC
 Coating: metal+clear lacquer

Versions;
 C10982 Spot
 C10983 Medium
 C10984 Wide



Top view

This drawing is our property.
 It can't be reproduced
 or communicated without
 our written agreement.



Ledil Oy
 Tehdaskatu 13
 FIN-24100 SALO
 Finland

DRAWING TITLE

Datasheet Cindy L230 Reflector

1

1

DRAWN BY

pv

DATE

17.03.2010

CHECKED BY

tk

DATE

24.02.2010

SIZE

A4

DRAWING NUMBER

10982, 10983, 10984

REV

2

DESIGNED BY

jj

DATE

07.08.2008

SCALE

2:1

WEIGHT (g)

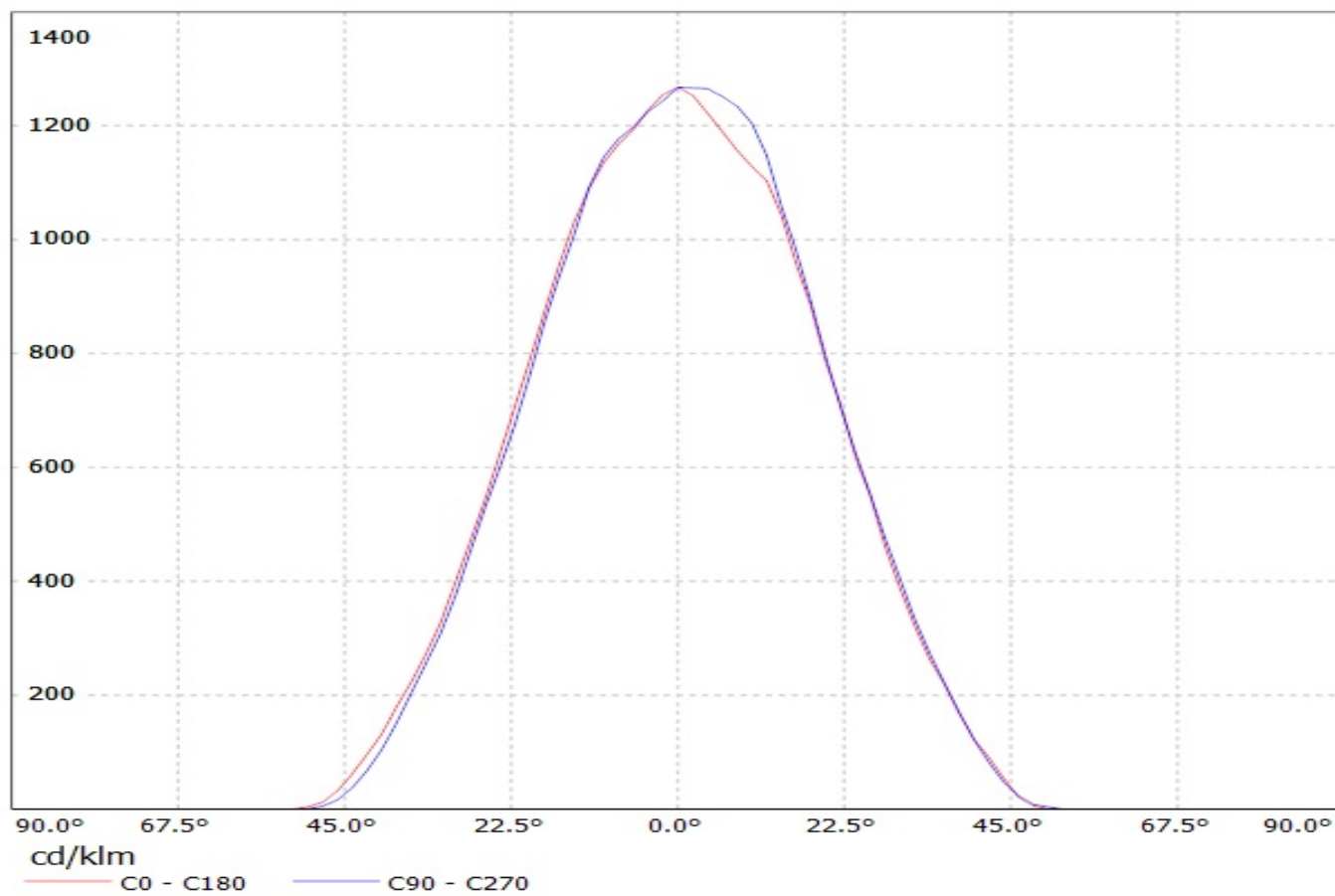
SHEET

1/1

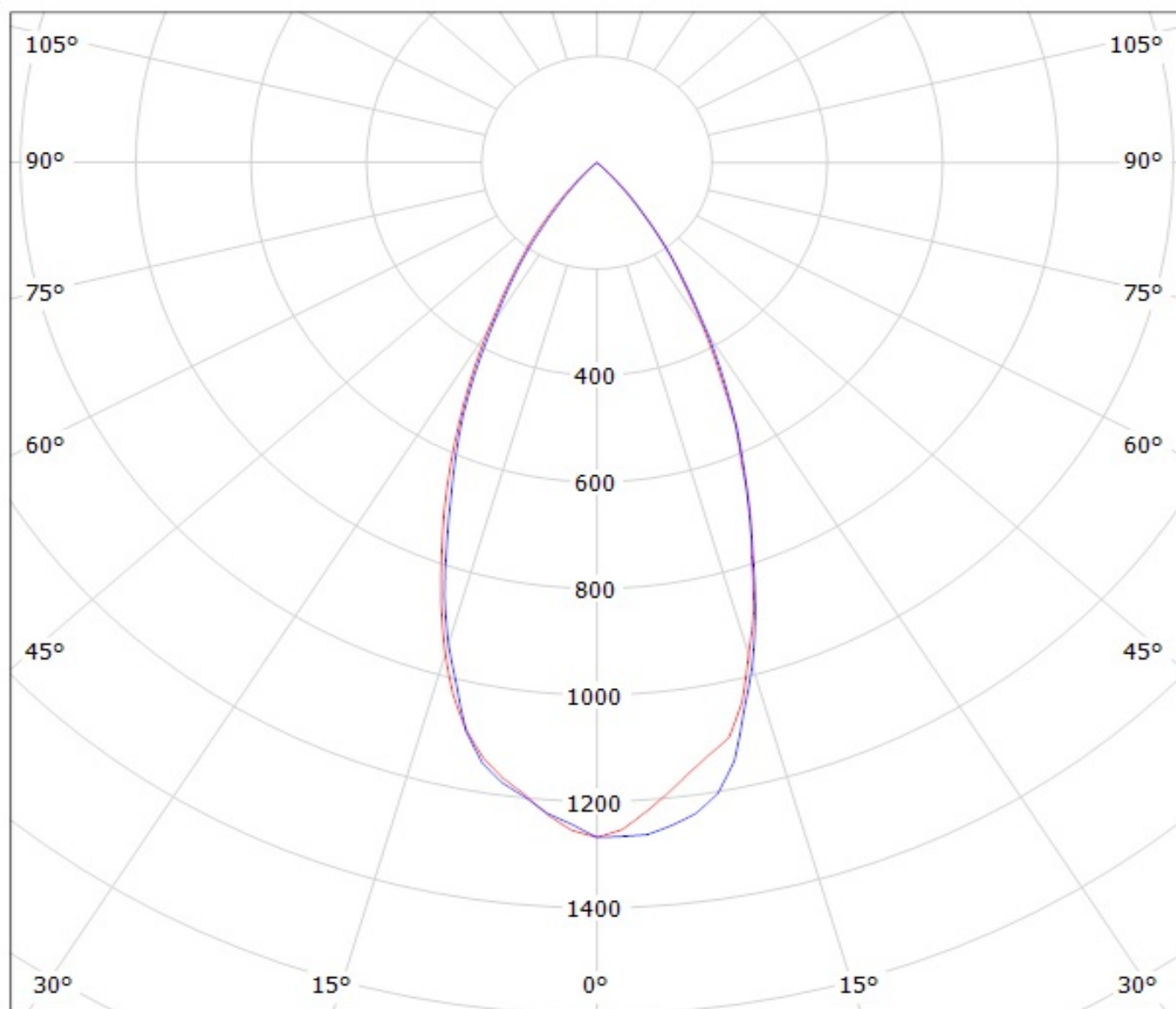
D

A

Luminaire: Ledil Oy C12211_CINDY-M2 (Citizen CLL233 280lm @ 250mA) Efficiency=82%
Lamps: 1 x Citizen CLL233 280lm @ 250mA CCT=3211K P=4,2W I=250mA



Luminaire: Ledil Oy C12211_CINDY-M2 (Citizen CLL233 280lm @ 250mA) Efficiency=82%
Lamps: 1 x Citizen CLL233 280lm @ 250mA CCT=3211K P=4,2W I=250mA



cd/klm

— C0 - C180

— C90 - C270