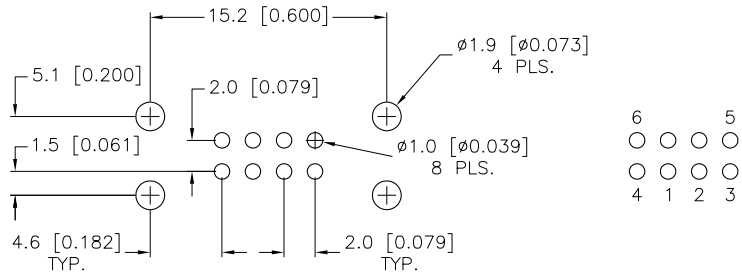
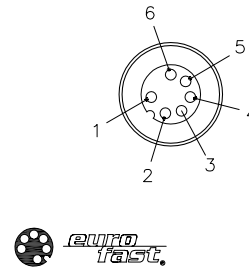


BOARD LAYOUT – TOP VIEW



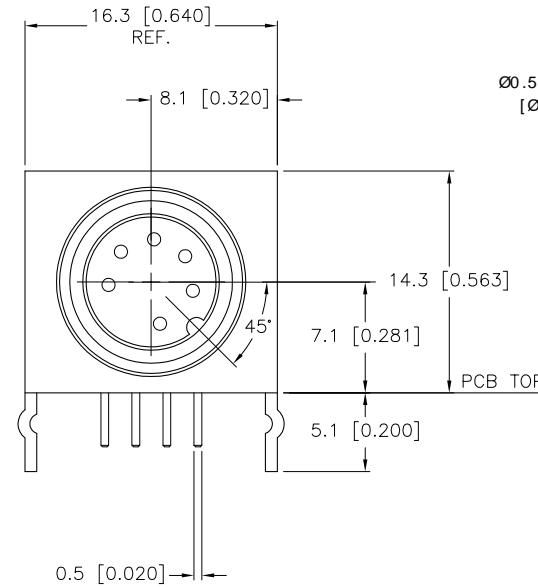
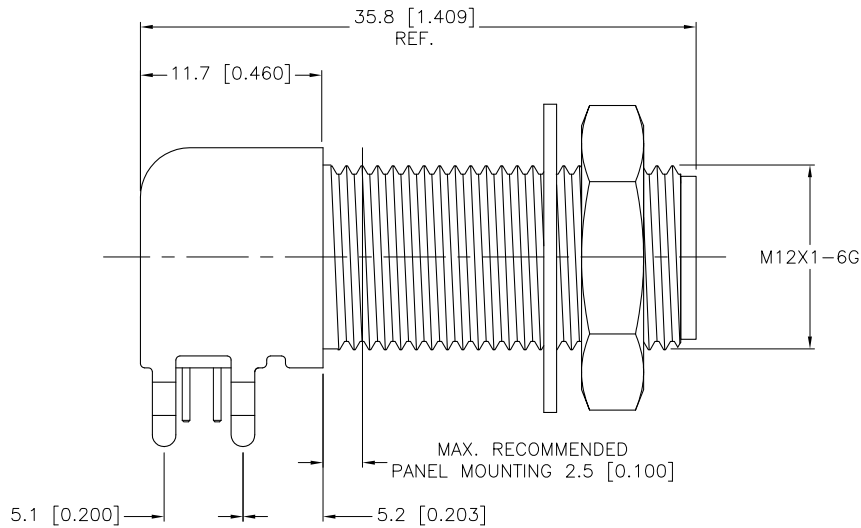
CONNECTOR SIDE

MALE END VIEW

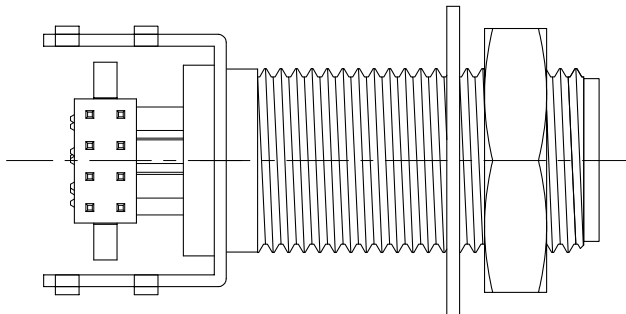


SPECIFICATIONS

CONTACT CARRIER MATERIAL/COLOR	TPU/BLACK
CONTACT MATERIAL/PLATING	BRASS/GOLD
HOUSING, LOCKNUT MATERIAL/PLATING	BRASS/NICKEL
RATED CURRENT [A]	1.5 A
RATED VOLTAGE [V]	30 VAC/36 VDC
NUMBER OF CONDUCTORS [AWG]	PRINTED CIRCUIT PINS
TEMPERATURE RATING	-40°C to +80°C (-40°F to +176°F)
PROTECTION CLASS	MEETS NEMA 1,3,4,6P AND IEC IP68



MOUNTING HOLE



UNIT SNAP-FITS INTO 0.062 TO 0.125 THICK PC BOARDS. SOURCE DRAWING - FOR REFERENCE ONLY

RELATED DOCUMENTS 1. 2. 3. 4.	3RD ANGLE PROJECTION 	THIS DRAWING IS PROPERTY OF TURCK INC. USE OF THIS DOCUMENT WITHOUT WRITTEN PERMISSION IS PROHIBITED.		TURCK INC High Technology Sensors and Automation Controls 3000 CAMPUS DRIVE MINNEAPOLIS, MN 55441 1-800-544-7769 (763) 553-7300 (763) 553-0708 fax turck.com	
	MATERIAL	DRFT DF	DATE 02/03/00	DESCRIPTION WFS 6-PCB	
FINISH	ALL DIMENSIONS DISPLAYED ON THIS DRAWING ARE FOR REFERENCE ONLY CONTACT TURCK FOR MORE INFORMATION	DSGN DF	SCALE 2=1.0	IDENTIFICATION NO. U2369-6	
		UNIT OF MEASUREMENT MILLIMETER [INCH]		REV D	
D	DRAWING PROCESSED AS PART OF ECO 33971	CBM	04/07/11	33971	DO NOT SCALE THIS DRAWING
REV	DESCRIPTION	BY	DATE	ECO NO.	FILE: U2369-6
					SHEET 1 OF 1