

Professionally approved products.

Datasheet

Sub-Miniature Toggle Switch

RS Stock number 734-7236



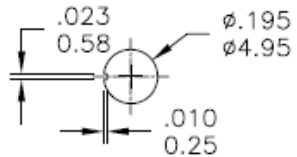
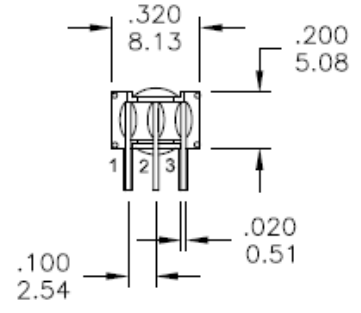
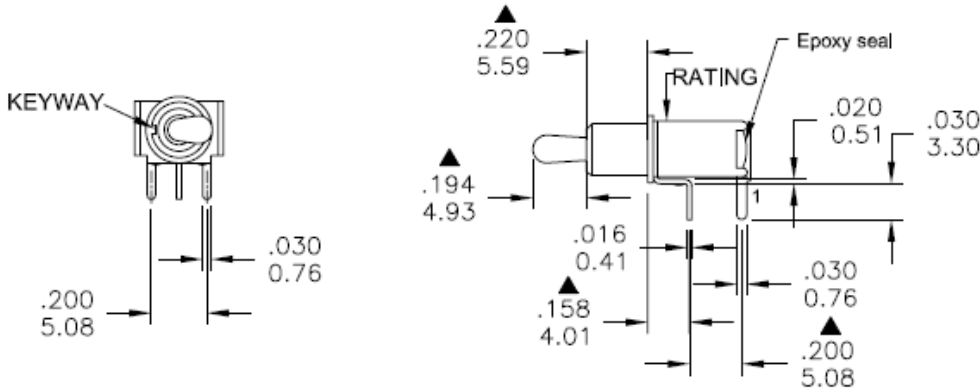
Specifications:

MECHANICAL LIFE:	30,000 make-and-break cycles at full load
CONTACT RESISTANCE:	20mΩ max. initial @ 2-4VDC 100mA for both silver and gold plated contacts
INSULATION RESISTANCE:	1000MΩmin.
DIELECTRIC STRENGTH:	1000Vrms min. @ sea level.
OPERATING TEMPERATURE:	-30°C to 85°C.
CASE:	Diallyl phthalate (DAP) (UL94v-0)
ACTUATOR:	Brass, chrome plated
BUSHING:	Brass, nickel plated
HOUSING:	Stainless Steel
CONTACT/TERMINAL:	Phosphor bronze gold-plated over nickel barrier
SWITCH SUPPORT:	Brass, tin plated

Professionally approved products.

Datasheet

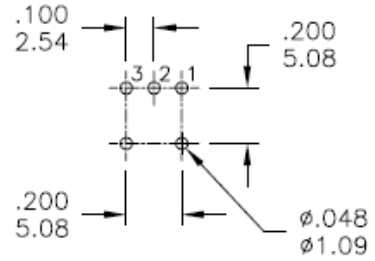
Dimensions – inch
mm



Without locking ring.

PANEL MOUNTING

P.C. MOUNTING



Model No.	POS.1	POS.2	POS.3
2MS3	ON	OFF	ON
Term. Comm.	2-3	OPEN	OPEN
SCHEMATIC			

SWITCH FUNCTION