



ENGLISH

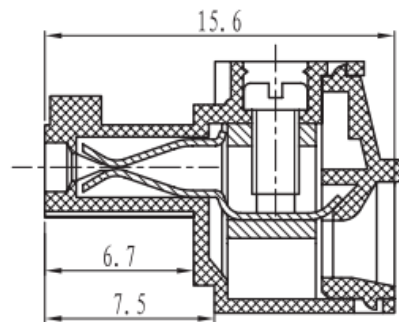
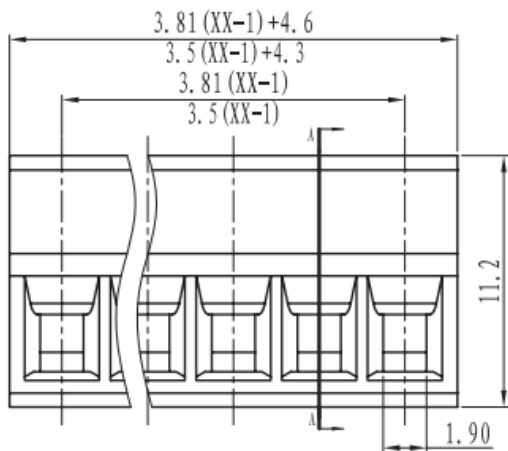
# Datasheet

## New 3.5mm Plug 8A 3 way

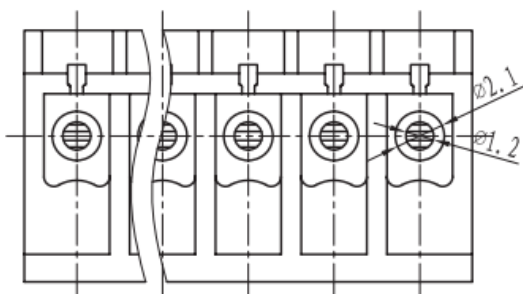
RS Stock 874-5048



### Dimensions: (mm)



SECTION A-A





# Specifications

## Electrical

Standard: UL IEC  
 Rated voltage: 300V 250V  
 Rated current: 8A 10A  
 Contact resistance: 20mΩ  
 Wire range: 28-16AWG 1.5mm<sup>2</sup>  
 Withstanding voltage: AC2000V/1Min  
 Insulation resistance: 500MΩ/DC500V

## Mechanical

Temp.Range: -40° C~+105° C  
 Torque: 0.2Nm(1.71lb`in)  
 Strip length: 6-7mm

## Dimensions

Pitch: 3.81mm/3.5mm  
 Poles: 2P-24P

## Material

Housing: PA66, UL94V-0  
 Screws: M2, steel Zinc plated  
 Wire guard: Brass, Ni plated  
 Clamp: Phosphor bronze, Ni plated

# Tolerances Except As Noted

	linear dimension					fillet	chamfer		∠ short angle sid			≡	—	□	//	⊥	
	to	over	over	over	over		to	over	to	over	over						
variable range	to 6	over 6	over 30	over 120	over 480	all	to 6	over 6	to 10	over 10	over 50	over 120	all	to 5	over 5	over 30	over 120
tolerance	±0.1	±0.2	±0.3	±0.5	±0.9	±0.2	±0.5	±1	1°	30'	20'	10'	0.5	0.025	0.06	0.12	0.4