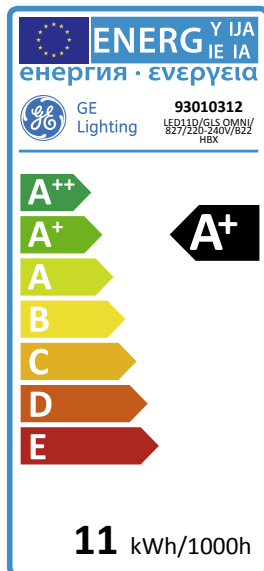




GE  
Lighting



11  
kWh/1000h

A+  
energy class

74  
lumens/watt

## GE Energy Smart™ GLS Dimmable

LED11D/GLS OMNI/827/220-240V/B22  
HBX

# 93010312

### Product information

GE's LED retrofit lamps offer great possibility to replace incandescent, compact fluorescent or halogen lamps with a 2700K Extra Warm White LED lamp with wide light distribution (240°) for general lighting. GE LEDs are very economical and environmentally friendly: they are mercury free, use far less energy than halogen or incandescent lights, and last longer. They fit into everyday light fittings and the light comes on the instant you flick the switch.

### Application areas

- Retail
- Office
- Hospitality
- Home

## Product data

Cap/Base	B22
Bulb Shape	GLS
Bulb Finish	White
Bulb Diameter [mm]	60
Bulb maximum overall diameter [mm]	60
Maximum Overall Length [mm]	107.5
Net weight per piece [g]	110
Gross weight per piece [g]	204
Brand	General Electric (GE)

## Performance data

Colour Rendering Index (CRI) [Ra]	80
Nominal correlated colour temperature (CCT) [K]	2700
Colour consistency	6 steps
Rated beam angle [°]	240
Nominal lumens [lm]	810
Nominal useful lumens [lm]	810
Useful lumens (at 90° cone) [lm]	810
Rated useful lumens [lm]	810
Energy efficiency class (EEC)	A+
Rated life L70/B50 [h]	25000
Weighted energy consumption [kWh/1000h]	11

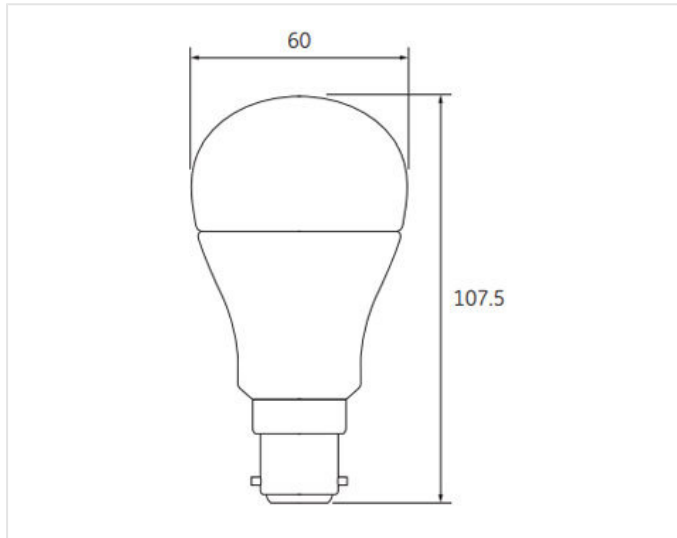
## Electrical data

Nominal power [W]	11
Rated power [W]	11.0
Nominal lamp power factor	0.7
Nominal lamp voltage [V]	230
Lamp Current [A]	60mA
Operating Temperature (MAX) [°C]	40
Run-up time (sec)	<1s
Starting time (sec)	<0.2s
Number of switching cycles	100000
Dimming Capability	Yes

## Logistic data

DUN Code	10043168001325
EAN Code	0043168001328
Pack Quantity	6
Inner pack type	HANGING BOX
Outer pack type	TRAY OUTER
Layer quantity	96 EUR, 144 UK
Layer quantity EUR	96
Layer quantity UK	144
Pallet quantity EUR (PC)	576
Pallet quantity UK (PC)	864
Outer case size	226x163x137 mm
Product status	Available

## Technical drawing



## Downloads & Links

[Go to the catalog site \(HTTP\)](#)

[LED Lighting Solutions - Catalogue \(PDF\)](#)

[Lighting design tools & calculators \(HTTP\)](#)

[Datasheets \(HTTP\)](#)

[High-res images / Technical drawings \(HTTP\)](#)

[Certificate for the Quality Management System of GE Lighting EMEA \(PDF\)](#)

[Certificate for the Environmental Management System of GE Lighting EMEA \(PDF\)](#)