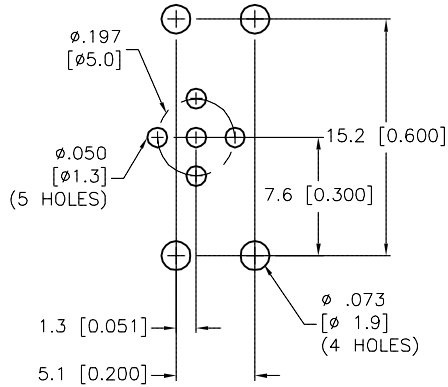
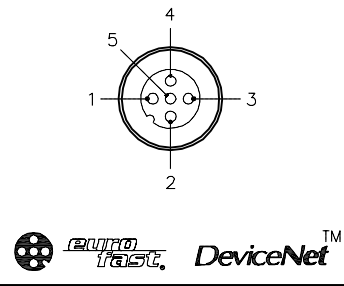


BOARD LAYOUT

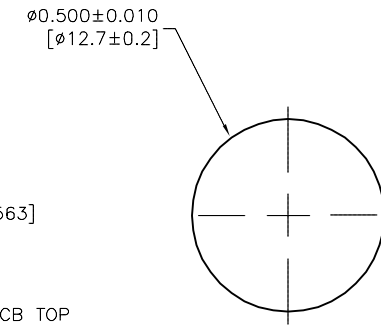
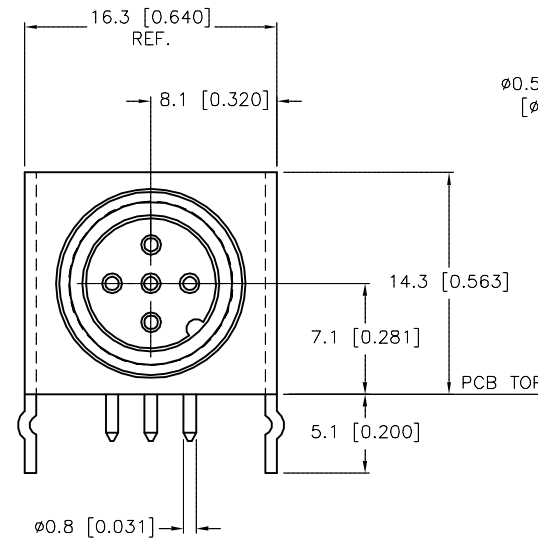
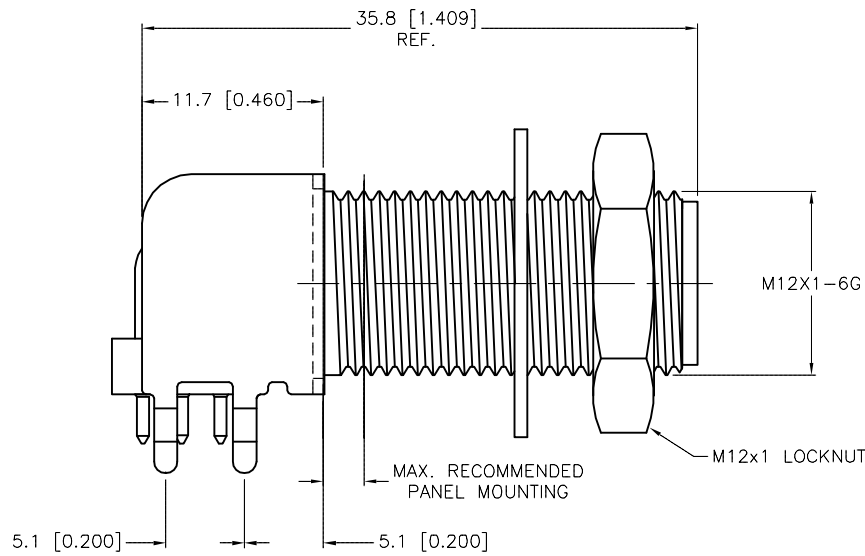


MALE END VIEW



SPECIFICATIONS

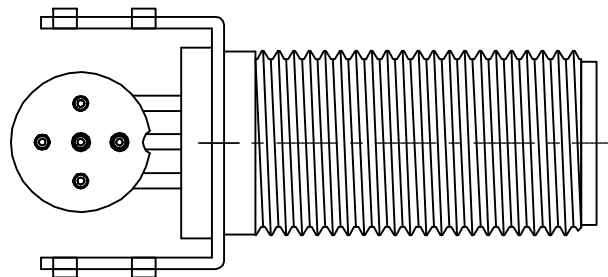
CONTACT CARRIER MATERIAL/COLOR	PA 6 NYLON/BLUE-GRAY
CONTACT MATERIAL/PLATING	BRASS/GOLD
HOUSING, LOCKNUT MATERIAL/PLATING	BRASS/NICKEL
RATED CURRENT [A]	4.0 A
RATED VOLTAGE [V]	30 VAC/36 VDC
NUMBER OF CONDUCTORS [AWG]	PRINTED CIRCUIT PINS
TEMPERATURE RATING	-40°C to +80°C (-40°F to +176°F)
PROTECTION CLASS	MEETS NEMA 1,3,4,6P AND IEC IP68



MOUNTING HOLE

LOCKNUT NOT SHOWN

UNIT SNAP-FITS INTO 0.062 TO 0.125 THICK PC BOARDS.
SOURCE DRAWING - FOR REFERENCE ONLY



NOTE: SPACER PERMANENTLY ATTACHED TO PINS FOR ALIGNMENT.

RELATED DOCUMENTS		3RD ANGLE PROJECTION		THIS DRAWING IS CONFIDENTIAL AND THE PROPERTY OF TURCK INC. USE OF THIS DOCUMENT WITHOUT WRITTEN PERMISSION IS PROHIBITED.		TURCK IAC High Technology Sensors and Automation Controls 3000 CAMPUS DRIVE MINNEAPOLIS, MN 55441 1-800-544-7769 (763) 553-7300 (763) 553-0708 fax turck.com	
1. U2369-2 2. 3. 4.				DRFT GC	DATE 03/08/99	DESCRIPTION WFS 57-PCB	
MATERIAL		ALL DIMENSIONS DISPLAYED ON THIS DRAWING ARE FOR REFERENCE ONLY		APVD	SCALE 2=1.0	IDENTIFICATION NO. U2369-0	
FINISH		CONTACT TURCK FOR MORE INFORMATION		UNIT OF MEASUREMENT MILLIMETER [INCH]		REV F	
F ADD WASHER PER ECO		KMY 04/23/14 45597		DO NOT SCALE THIS DRAWING		FILE: U2369-0	
REV	DESCRIPTION	BY	DATE	ECO NO.	SHEET 1 OF 1		