



Model B585	+ 5V 0.20A	115V	Model B684	+/- 5V 0.1A	230V
Model B584	+ 5V 0.20A	230V	Model B686	+/- 12V 0.05A	230V
Model B587	+12V 0.10A	115V			
Model B586	+12V 0.10A	230V			

These high quality, rugged PCB mounting encapsulated power supplies are available with single or dual output options housed in a black ABS case. These industry standard units are designed to power op-amps and logic circuitry etc.

A PCB with screw terminals holding one supply is available for convenient rack and chassis mounting.

Protection

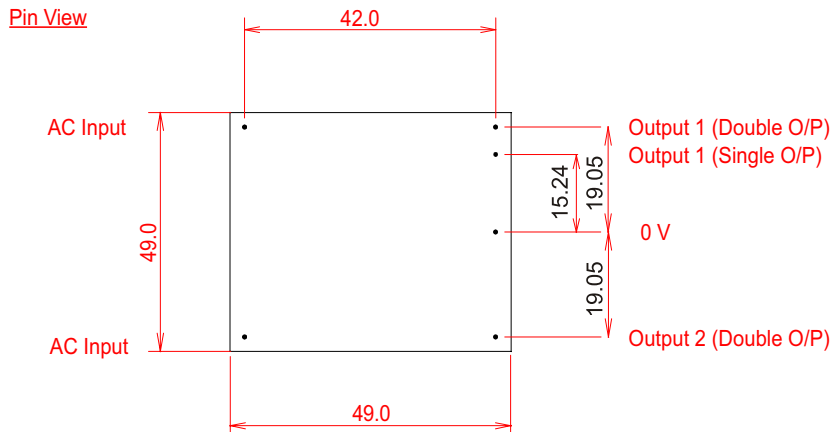
- Short circuit protected
- Thermal protection
- Current limit

Safety

The units are designed to meet EN60950 and are isolation tested at 3.75KV rms between input and output.

Technical Specification

	B585	B584	B587	B586	B684	B686
Input						
Voltage (nom) :-	115V a.c. (105-135)	230V a.c. (205-254)	115V a.c. (105-135)	230V a.c. (207-254)	230V a.c. (207-254)	230V a.c. (207-254)
Frequency :-	50/60 Hz All Models					
Power (max) :-	2VA All Models					
Output 1						
Voltage :-	+ 5 V	+ 5 V	+ 12.0 V	+ 12.0 V	+ 5.0 V	+ 12.0 V
Current :-	0.2 A	0.2 A	0.1 A	0.1 A	0.1 A	0.05 A
Output 2						
Voltage :-	N/A	N/A	N/A	N/A	-5.0 V	- 12.0 V
Current :-	N/A	N/A	N/A	N/A	0.1 A	0.05 A
Output Voltage Tolerance :-	< +/- 2% All Models					
Load Regulation:-	0.1%					
Line Regulation:-	0.1%					
Ripple :-	< 1mV rms All Models					
Operating Temp:-	0 to 40°C ambient (de-rate output current linearly to 20% at 70°C) All Models					
Weight :-	0.1Kg All Models					



Case Height 31.8

All Dimensions in mm.