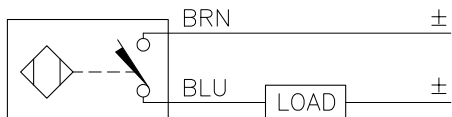


WIRING DIAGRAM

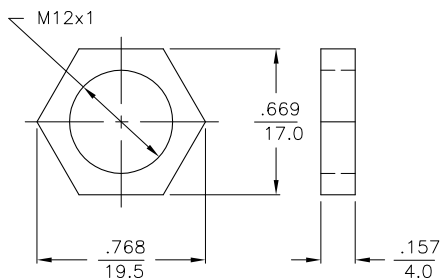
LOCKNUT LN-M12

SPECIFICATIONS

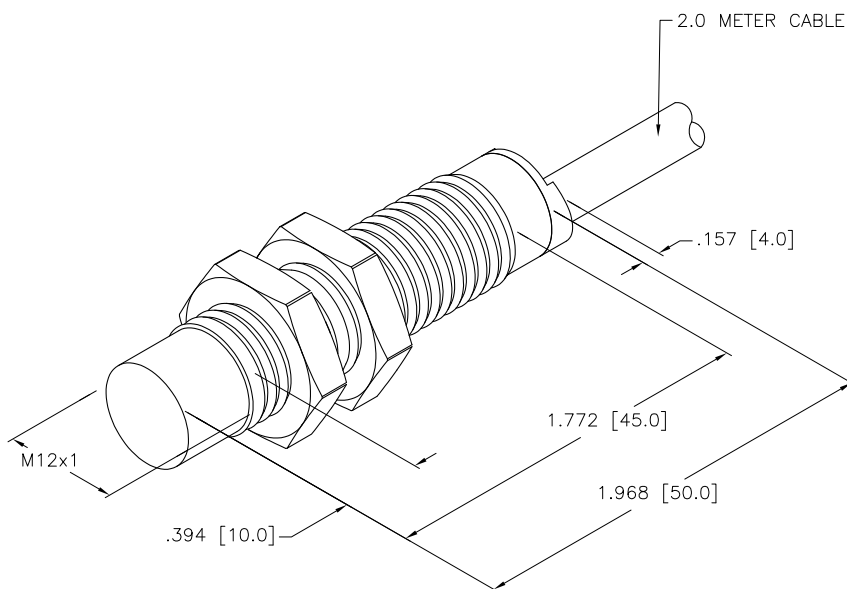


OUTPUT: AD4X

SHORT-CIRCUIT AND OVERLOAD PROTECTED



| | |
|-----------------------------|----------------------------------|
| RATED OPERATING DISTANCE | 4mm = .157" (NOMINAL) |
| MOUNTING MODE | NON-FLUSH |
| TEMPERATURE DRIFT | ≤±10% |
| HYSTERESIS | 1-15% |
| MIN. REPEAT ACCURACY | ≤2% |
| OPERATING TEMPERATURE | -25°C to +70°C (-13°F to +158°F) |
| RATED OPERATIONAL VOLTAGE | 10-65 VDC |
| RESIDUAL RIPPLE | ≤10% |
| RATED OPERATIONAL CURRENT | ≤100 mA |
| RESIDUAL CURRENT | ≤0.6 mA |
| RATED INSULATION VOLTAGE | ≤0.5 kV |
| SHORT-CIRCUIT PROTECTION | YES |
| MAX. VOLTAGE DROP | ≤5.0 V |
| OUTPUT FUNCTION | 2-WIRE, NORMALLY OPEN |
| MIN. OPERATING CURRENT | ≥2.0 mA |
| MAX. SWITCHING FREQUENCY | ≤1.0 kHz |
| HOUSING MATERIAL | BRASS, CHROME PLATED |
| ACTIVE FACE MATERIAL | PLASTIC, PA12-GF30 |
| END CAP MATERIAL | PLASTIC, EPTR |
| CABLE | ∅5.2, PVC |
| VIBRATION RESISTANCE | 55 Hz (IN ALL 3 PLANES) |
| SHOCK RESISTANCE | 30 g, 11 ms |
| DEGREE OF PROTECTION | IP 67 |
| SWITCHING STATUS INDICATION | LED, YELLOW |



SOURCE DRAWING - FOR REFERENCE ONLY

| | | | | | | | |
|-----------------------------|-------------|---|----------|---|----------------|--|----------|
| RELATED DOCUMENTS | | 3RD ANGLE PROJECTION | | THIS DRAWING IS PROPERTY OF TURCK INC. USE OF THIS DOCUMENT WITHOUT WRITTEN PERMISSION IS PROHIBITED. | | TURCK INC High Technology Sensors and Automation Controls 3000 CAMPUS DRIVE MINNEAPOLIS, MN 55441 1-800-544-7769 (763) 553-7300 (763) 553-0708 fax turck.com | |
| 1. 2. 3. 4. | | | | DRFT | CBM | DATE | 04/24/00 |
| MATERIAL | | ALL DIMENSIONS DISPLAYED ON THIS DRAWING ARE FOR REFERENCE ONLY | | DSGN | | SCALE | NONE |
| FINISH | | CONTACT TURCK FOR MORE INFORMATION | | UNIT OF MEASUREMENT | | DESCRIPTION | |
| | | | | INCH [MILLIMETER] | | NI 4-M12-AD4X | |
| | | | | DO NOT SCALE THIS DRAWING | | IDENTIFICATION NO. | T4405200 |
| | | | | | | REV | C |
| C UPDATE HOUDING, LED COLOR | | CBM | 04/24/00 | B3497 | | | |
| REV | DESCRIPTION | BY | DATE | ECO NO. | FILE: T4405200 | SHEET 1 OF 1 | |

| | | | | |
|-----|---------------------------|-----|----------|---------|
| C | UPDATE HOUDING, LED COLOR | CBM | 04/24/00 | B3497 |
| REV | DESCRIPTION | BY | DATE | ECO NO. |