

- Back**
- o Flat Cable Connectors SEK
 - o *har-mik®*
 - o D-Sub
 - o InduCom

- **Applications**

Product details

09 67 025 4701
D-Sub - S cable connector

Gender	Female connector
Termination	Crimp
Number of contacts	25
Flange	through hole 3.1 mm
Shell	tinned metal shell
Material	PBTP
Contact configuration	contacts must be order separately
RoHS compliant	Yes

Inquiry

Available Downloads

Title	Format	
Data sheet	PDF	download
CAD data 2D	DXF	download

Product news

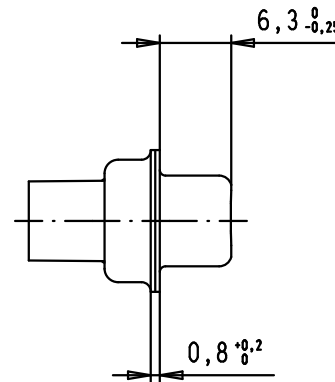
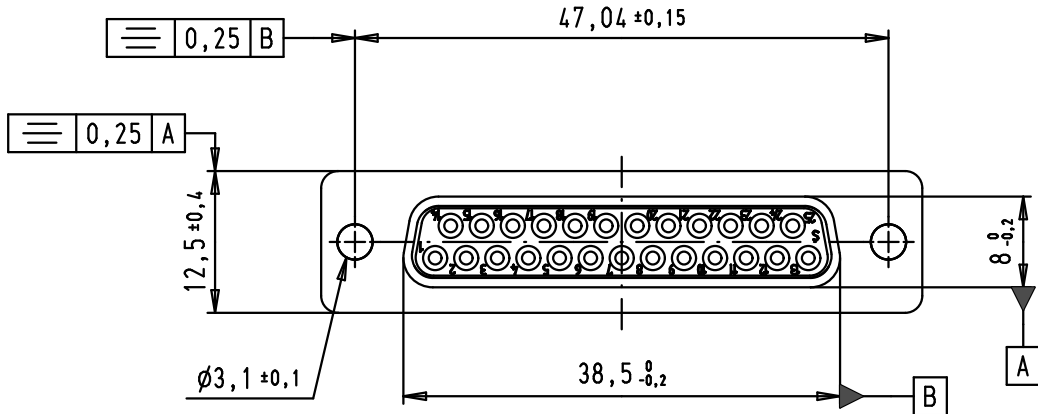
5

4

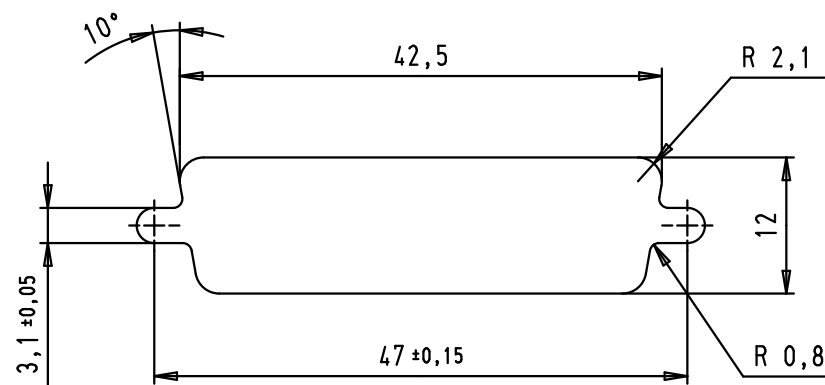
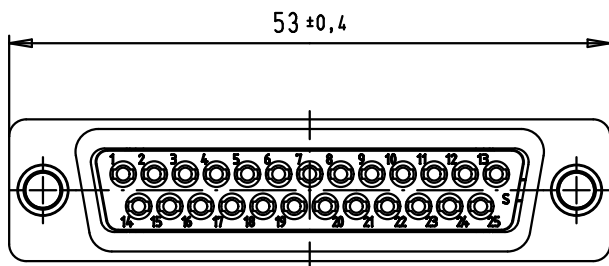
3



2

1



Panel cut out



Mod.	Dot.	Name	Detail.	Dot.	Name	 All Dim. in mm Orig. Size DIN A 4	D-Sub, female, straight, 25 poles, for crimp contacts AWG 20-24, tin plated shell	Maßstab/ Scale
34784	13/02/08	PK		09/04/02	CV			1,5:1
33106	22/09/05	JMDR	Insp.					
31571	12/11/03	SH	Stand.					
31526	31/07/03	TCP	HARTING EURL F-95972 Paris				TB 09 67 025 4701	Blatt/ Page
29768	09/04/02	CV						1 / 2
								Sub.

D

C

B

A