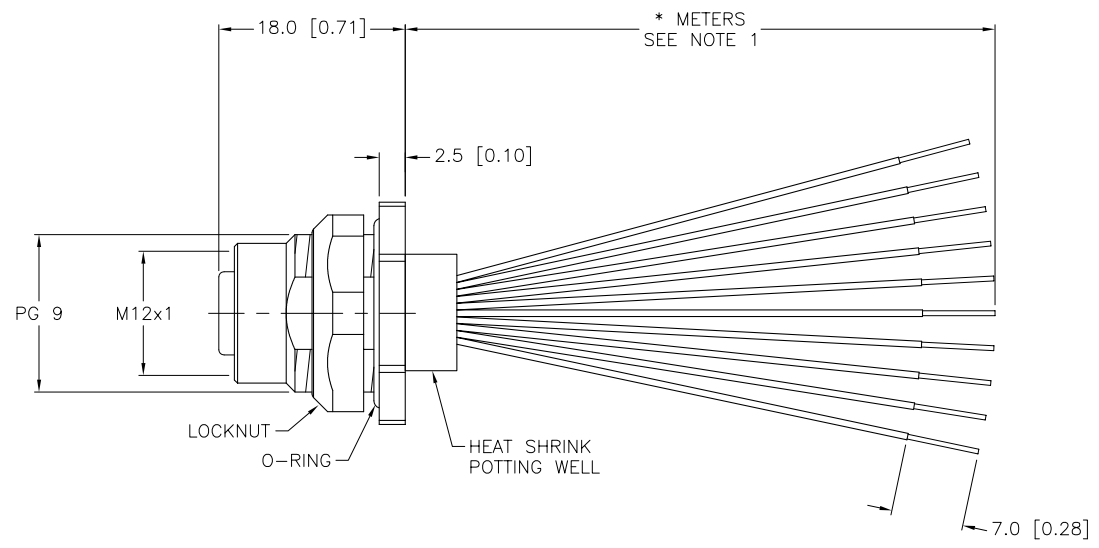
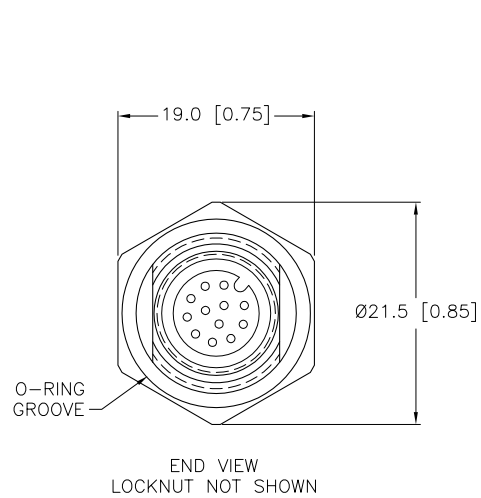


| SPECIFICATIONS             |                                   |
|----------------------------|-----------------------------------|
| CONTACT CARRIER MATERIAL   | NYLON                             |
| CONTACT MATERIAL/PLATING   | GOLD-PLATED BRASS                 |
| RATED CURRENT [A]          | 2.0 A                             |
| RATED VOLTAGE [V]          | 60 VAC/75 VDC                     |
| HOUSING/LOCKNUT MATERIAL   | NICKEL-PLATED BRASS               |
| NUMBER OF CONDUCTORS [AWG] | 10x24 AWG                         |
| TEMPERATURE RATING         | -40°C to +105°C (-40°F to +221°F) |
| PROTECTION CLASS           | MEETS NEMA 1,3,4,6P AND IEC IP68  |



| CABLE LENGTH | TOLERANCE   |
|--------------|---|
| ALL LENGTHS  | + 4% (OR 50mm) OF LENGTH<br>- 0% (OR 0mm) OF LENGTH<br>WHICHEVER IS GREATER |
| STRIP LENGTH | TOLERANCE   |
| 0-7mm        | ±0.5mm  |
| 8-29mm       | ±1.0mm  |
| 30-49mm      | ±2.0mm  |
| 50-69mm      | ±3.0mm  |
| 70-100mm     | ±4.0mm  |
| OVER 100mm   | ±5.0mm  |

SOURCE DRAWING - FOR REFERENCE ONLY

NOTES:  
1. "\*" INDICATES LEAD LENGTH IN METERS. CONTACT TURCK TO ORDER SPECIFIC LENGTHS.

|   |   |   |  |                             |
|---|---|---|--|-----------------------------|
| RELATED DOCUMENTS<br>1.<br>2.<br>3.<br>4. | 3RD ANGLE PROJECTION<br>  | THIS DRAWING IS PROPERTY OF TURCK INC. USE OF THIS DOCUMENT WITHOUT WRITTEN PERMISSION IS PROHIBITED. | <br>High Technology Sensors and Automation Controls<br>3000 CAMPUS DRIVE<br>MINNEAPOLIS, MN 55441<br>1-800-544-7769<br>(763) 553-7300<br>(763) 553-0708 fax<br>turck.com |                             |
|   | MATERIAL<br>SEE SPECIFICATIONS                                  |   | DRFT RDS<br>DSGN   | DATE 10/24/03<br>SCALE 1=.8 |
| FINISH<br>SEE SPECIFICATIONS              | ALL DIMENSIONS DISPLAYED ON THIS DRAWING ARE FOR REFERENCE ONLY | UNIT OF MEASUREMENT<br><b>MILLIMETER [ INCH ]</b>   | IDENTIFICATION NO.   | REV<br>C                    |
| DO NOT SCALE THIS DRAWING                 |   | FILE: 777002678   | SHEET 1 OF 1   |                             |

|     |                              |    |          |         |
|-----|------------------------------|----|----------|---------|
| C   | ADD HEAT SHRINK POTTING WELL | TR | 04/01/09 | 25713   |
| REV | DESCRIPTION                  | BY | DATE     | ECO NO. |