

Low Profile or Prominent with Flush Mounting

Key Characteristics

Functional

- 10mm mounting
- 80° or 100° viewing angle

Resilient

- IP66 sealed
- -40 to 85°C operating and storage temp
- Aluminium black nickel body

Adaptable

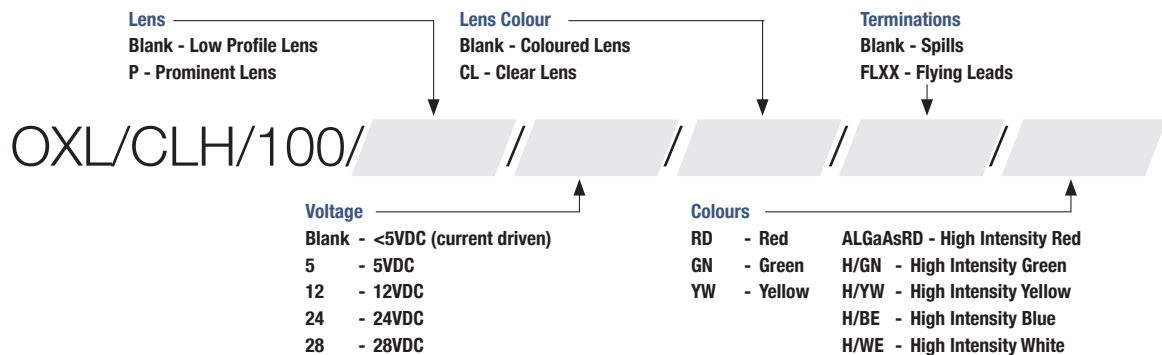
- Full colour range with lens options
- Voltage and current options
- Customer specials on request



Specifications

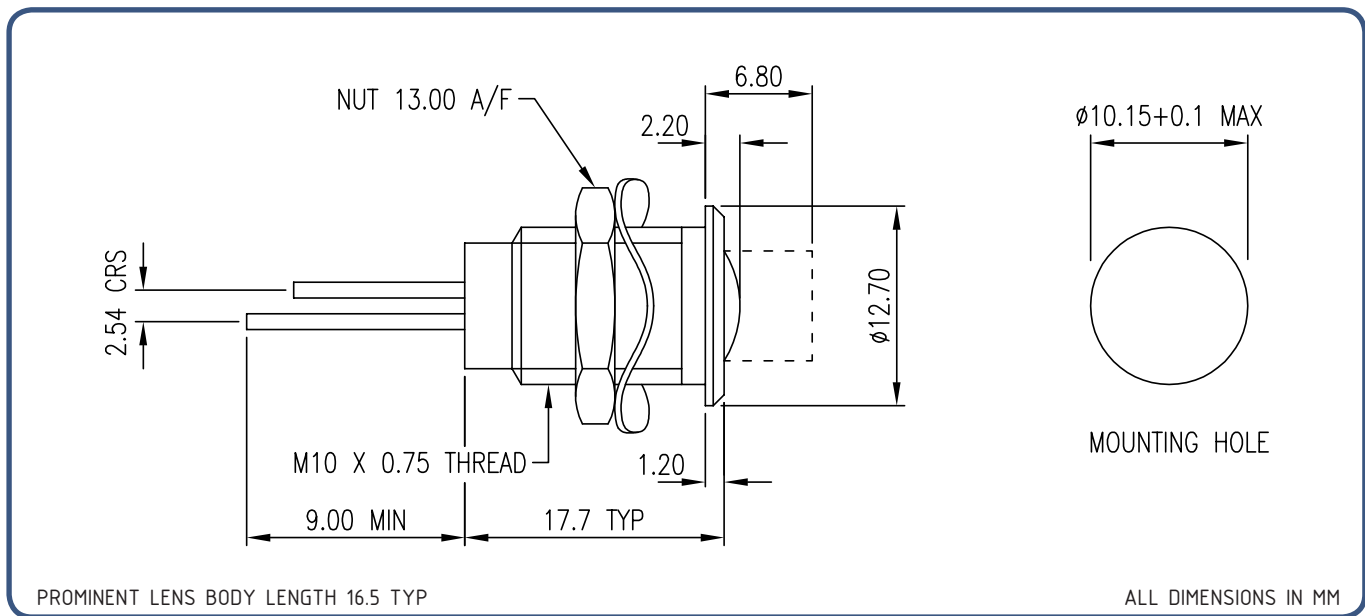
COLOURS									
Luminous Intensity	mcd	White	Red	Yellow	Green	Blue	Voltage		Current (mA)
							Forward	Reverse	
STD	34	x	✓	✓	✓	x	5,12,24,28	5,12,24,28	15
	45	x	✓	✓	✓	x	2.2	5	20
High Intensity	750	✓	x	✓	x	x	5,12,24,28	5,12,24,28	15
	900	x	✓	x	x	✓	5,12,24,28	5,12,24,28	15
	940	x	x	x	✓	x	5,12,24,28	5,12,24,28	15
	1000	✓	x	x	x	x	2.2	5	20
	1000	x	x	✓	x	x	3.6	5	20
	1200	x	x	x	x	✓	3.6	5	20
	1200	x	✓	x	x	x	1.9	5	20
1250	x	x	x	x	✓	x	3.6	5	20

Ordering Information



Example: OXL/CLH/100/RD - Black Nickel Finish, Low Profile Lens, 2.2VDC, Coloured Lens, Spills, Red

Example: OXL/CLH/100/P/5/CL/FL30/GN - Black Nickel Finish, Prominent Lens, 5VDC, Clear Lens, Flying Leads of 30cm, Green



Technical Information

Terminations	Silver Plated or Tin-Lead solderability exceeds BS2011, TEST T
Body	Aluminium Alloy Matt Black Nickel
Lens	Polycarbonate
Nut	Aluminium Alloy
Washer	BeCu. Tin Plated
Chassis Thickness	1.5mm (0.059") min
Mounting Hole	10.15mm \pm 0.1
Recommended Mounting Torque	1Nm (0.74lbft)
Mean Time Before Failure	90,000 Hours

Termination Options

Flying Leads

Spills

Lens Options

Low Profile

Prominent

Distributed by

