

Product Information

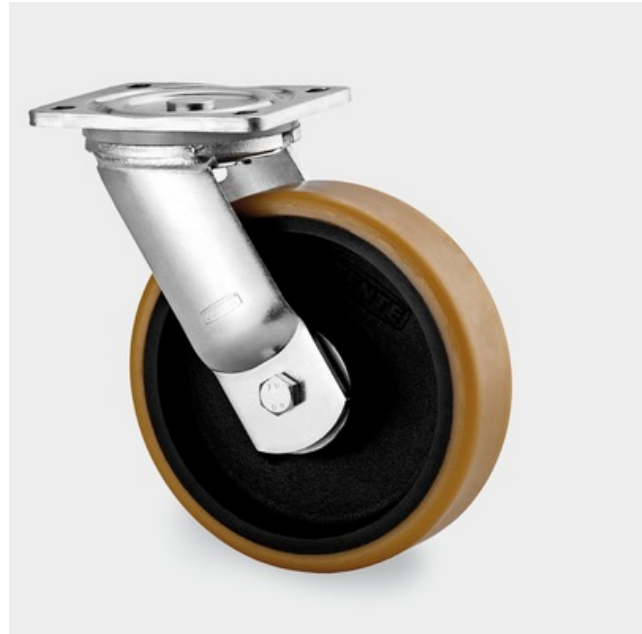


9680FTP125P63

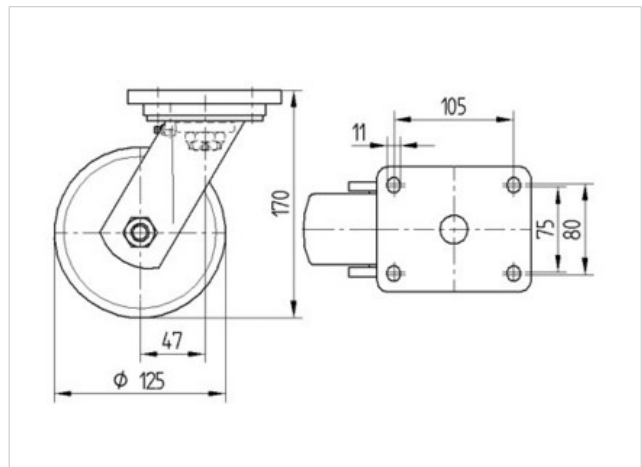
EAN 4031582314984

Swivel castor, housing and plate steel-welded, bright zinc plated, blue passivated, sealed single swivel double ball bearing, threaded king pin and locking nut secured, grease nipple, wheel axle with nut, plate fitting.

Wheel centre made of cast iron, Tread: Polyurethane, casted, precision ball bearing



| Technical Data | |
|------------------------|----------------|
| Wheel diameter | 125 mm |
| Width of Tread | 50 mm |
| Size of Plate | 135 x 110 mm |
| Plate hole centres | 105 x 80/75 mm |
| Plate hole | 11 mm |
| Offset | 48 mm |
| Swivel Interference | 221 mm |
| Overall height | 170 mm |
| Temperature | - 20 / + 60 °C |
| Standard | EN 12533 |
| Weight | 5.227 kg |
| Swivel Radius | 110.5 mm |
| Hardness of tread | A 92 Shore |
| Load capacity | 550 kg |
| Load capacity (static) | 1100 kg |



| | | | | | |
|----------------------|---|---|---|---|---|
| Roll performance | + | + | + | + | + |
| Movement noise | + | + | + | + | + |
| Attrition | + | + | + | + | + |
| Corrosion resistance | + | + | + | + | + |



9680FTP125P63

EAN 4031582314984

