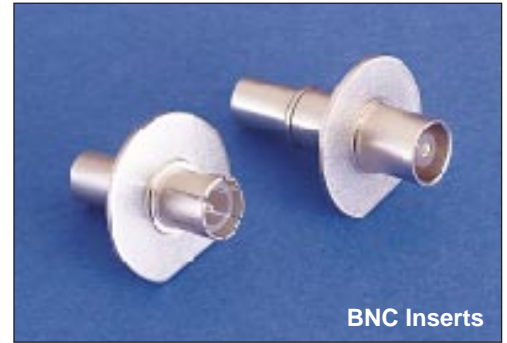




25 way inserts
(Assembled)



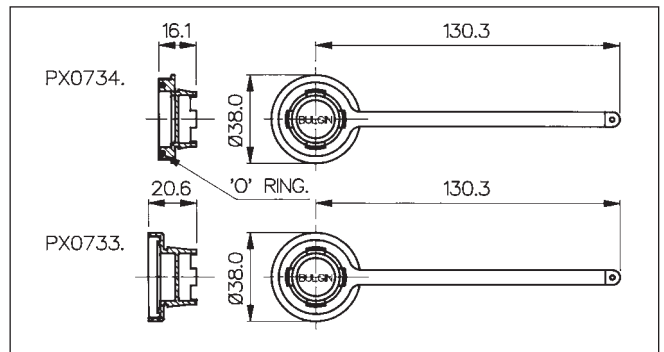
BNC Inserts



Cap Assembly Tools

PX0734
Fits Flex
Mounting
types.

PX0733
Fits all
other
types.



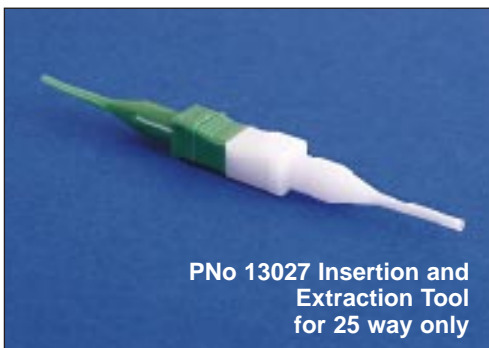
PNo. 12237 Cable Support Accessory

12237 provides additional cable support. Suitable for 5-7mm and 7-9mm cables.



Boot PNo. 12855

12855 for chassis mounting types only.

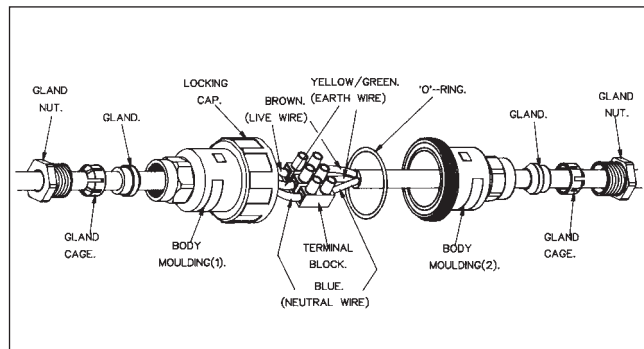
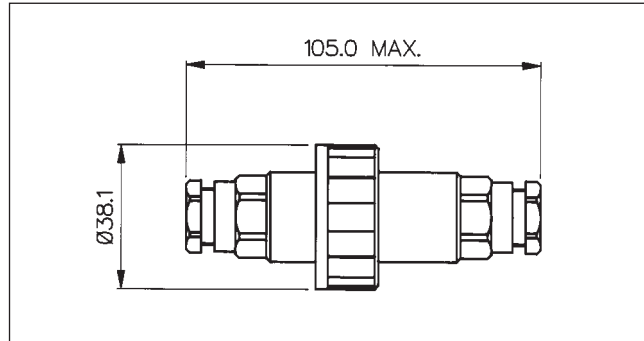


PNo 13027 Insertion and
Extraction Tool
for 25 way only

Cable Acceptance (2 - 25 pole)	List Nos. To Order Glands Separately
As fitted Ø 6-8mm (2 - 9 Pole)	12023 (Black)
List No./04 Ø 3.5-5mm	12023/5 (Grey)
List No./05 Ø 5-7mm	12023/1 (White)
List No./07 Ø 7-9mm (As fitted 25 Pole)	12023/2 (Yellow)
e.g. PX0731/P/07 = cable acceptance Ø 7-9mm	

A Catalogue of the Buccaneer® Range of Sealed Products is also available on request.





Data	
Rating:	6A, 250V a.c.
Wire Termination:	3 way terminal block.
Cable Acceptance:	6-8mm Overall Diameter Standard. 3.5 - 5mm, 5 - 7mm & 7 - 9mm Overall diameter optional.
Sealing:	IP68 to BS60529 : 1977
Operating Temp. Range:	-20°C to +70°C.
Colour:	Black Orange (Add /OR to List No.)
BNC Cable Types:	50 ohm - RG58/CU, URM43 & URM76, For BNC version of PX0777 add /50 ohm to List No.

Cable Acceptance	List Nos. To Order Glands Separately
As Fitted \varnothing 6-8mm	12023 (Black)
List No. /04 \varnothing 3.5 - 5 mm	12023/5 (Grey)
List No. /05 \varnothing 5 - 7 mm	12023/1 (White)
List No. /07 \varnothing 7 - 9 mm	12023/2 (Yellow)
E.g. PX0777/07 = Cable Acceptance \varnothing 7-9mm	





Screw Terminals

Screw Terminal (10A)		
Ways	Socket	Plug
3 way	SA 3229	SA3230



Carriers shown fitted with contacts

Contact Carriers		
Pole	Solder	Crimp
8 pin	12734/1 (Black)	12734 (Grey)
8 skt	12735/1 (Black)	12735 (Grey)
3 pin	12734/3/1 (Black)	12734/3 (Grey)
3 skt	12735/3/1 (Black)	12735/3 (Grey)

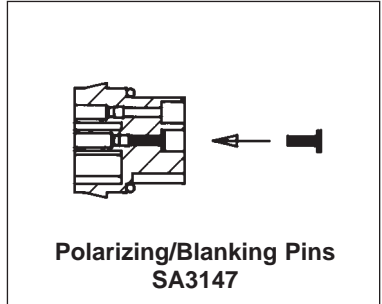


Contacts, Polarising/Blanking Pins

Contacts, Solder & Crimp		
Contacts	Solder	Crimp
Pins	SA3148/1	SA3148
Sockets	SA3149/1	SA3149
Polarising/Blanking Pins SA3147		
Contact Insertion Tool SA 3150 must be used to insert contacts into carrier.		
Crimping Tool SA2800		

How To Order

- 1) Body Type.
- 2) Contact Carrier (Pin or Socket - Solder or Crimp), Contact Carrier 3 Way or BNC.
- 3) Pins or Sockets (Solder or Crimp). Supplied in packs of ten.
- 4) Sealing Cap (if required)
- 5) Polarising/Blanking Pins (if required). Supplied in packs of ten.
- 6) Contact Insertion Tool (if required).
- 7) Crimping Tool (if required).



BNC (Assembled)

BNC		
Imp.	Contacts	List No.
50Ω	Plug	SA3159/1
50Ω	Socket	SA3157/1
75Ω	Plug	SA3159
75Ω	Socket	SA3157



Sealing Caps

PX0810

PX0810 Fits PX0801, PX0802, PX0803, PX0804 & PX0805. Ensure "O" Ring is in place on main body male thread.

PX0811

PX0811 Fits PX0800. Ensure "O" Ring is in place in cap.