


Ordering number FA11208_TINA-RS

Family	Tina	FWHM	11 degrees
Type	Assembly	Efficiency	90 %
LED	Oslon SSL 80	cd/lm	14.300
Color	Black	Gerber File	Available
Diameter	16.1 mm		
Height	9.5 mm		
Style	Round		
Optic Material	PMMA		
Holder Material	PC		
Fastening	Pin, tape		
Status	Ready		


Ordering number FA11205_TINA-D

Family	Tina	FWHM	12 degrees
Type	Assembly	Efficiency	89 %
LED	Oslon SSL 80	cd/lm	10.100
Color	Black	Gerber File	Available
Diameter	16.1 mm		
Height	9.5 mm		
Style	Round		
Optic Material	PMMA		
Holder Material	PC		
Fastening	Pin, tape		
Status	Ready		


Ordering number FA11206_TINA-M

Family	Tina	FWHM	24 degrees
Type	Assembly	Efficiency	83 %
LED	Oslon SSL 80	cd/lm	2.290
Color	Black	Gerber File	Available
Diameter	16.1 mm		
Height	9.5 mm		
Style	Round		
Optic Material	PMMA		
Holder Material	PC		
Fastening	Pin, tape		
Status	Ready		


Ordering number FA11204_TINA-O

Family	Tina	FWHM	34+12 degrees
Type	Assembly	Efficiency	80 %
LED	Oslon SSL 80	cd/lm	3.800
Color	Black	Gerber File	Available
Diameter	16.1 mm		
Height	9.5 mm		
Style	Round		
Optic Material	PMMA		
Holder Material	PC		
Fastening	Pin, tape		
Status	Ready		


Ordering number FA11207_TINA-W

Family	Tina	FWHM	48 degrees
Type	Assembly	Efficiency	87 %
LED	Oslon SSL 80	cd/lm	1.100
Color	Black	Gerber File	Available
Diameter	16.1 mm		
Height	9.5 mm		
Style	Round		
Optic Material	PMMA		
Holder Material	PC		
Fastening	Pin, tape		
Status	Ready		

Ordering number FA11027_TINA-WW

Family	Tina	FWHM	66 degrees
Type	Assembly	Efficiency	87 %
LED	Oslon SSL 80	cd/lm	0.800
Color	Black	Gerber File	Available
Diameter	16.1 mm		
Height	9.5 mm		
Style	Round		
Optic Material	PMMA		
Holder Material	PC		
Fastening	Pin, tape		
Status	Ready		

NOTE: The typical divergence will be changed by different color, chip size and chip position tolerance. The typical total divergence is the full angle measured where the luminous intensity is half of the peak value.



PRODUCT DATASHEET Tina series

last update 13/11/2012



GENERAL INFORMATION

- Product series especially designed & optimized for Oslon SSL 80 series of LEDs.
- Special care taken to make light distribution as uniform as possible.
- Lens material optical grade PMMA with high UV and temperature resistance. Allows use of high current and temperature conditions.

Please find more information about used material from below:

http://ledil.fi/sites/default/files/Documents/Technical/Material/PMMA%20N%20UL94_Yellow%20Card.pdf

<http://ledil.fi/sites/default/files/Documents/Technical/Material/PMMA%20N%20PLEXIGLAS-Datasheet.pdf>

- Optic holder molded by high quality PC material (120 degrees of Celcius / 248 degrees of Fahrenheit).

D

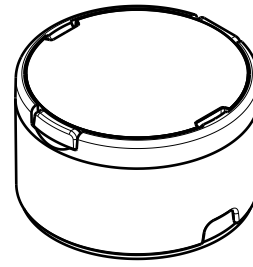
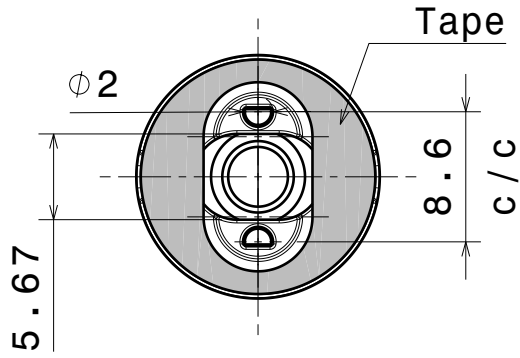
C

B

A

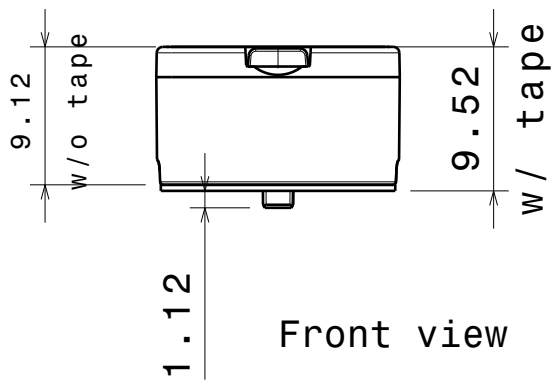
4

4



Isometric view

Bottom view



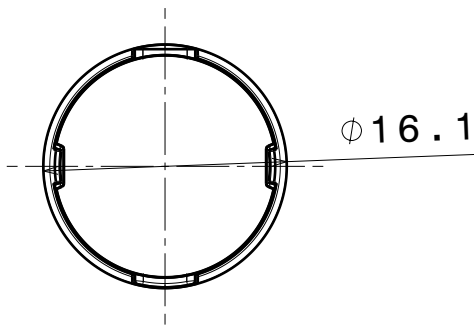
Front view

3

3

2

2



Top view

Materials
 Lens: PMMA
 Holder: PC
 Tape: PU Foam

This drawing is our property.
 It can't be reproduced
 or communicated without
 our written agreement.



Ledil Oy
 Salorankatu 10
 FIN 24240 SALO
 Finland

DRAWING TITLE Mechanical Drawing

DRAWN BY
 as

DATE
 10.9.2012

TINA-OSL

CHECKED BY
 sn

DATE
 -

SIZE
 A4

PART NUMBER
 TINA-OSL

REV
 001

DESIGNED BY
 -

DATE
 -

SCALE 2:1

WEIGHT

1,47 g

SHEET

1/1

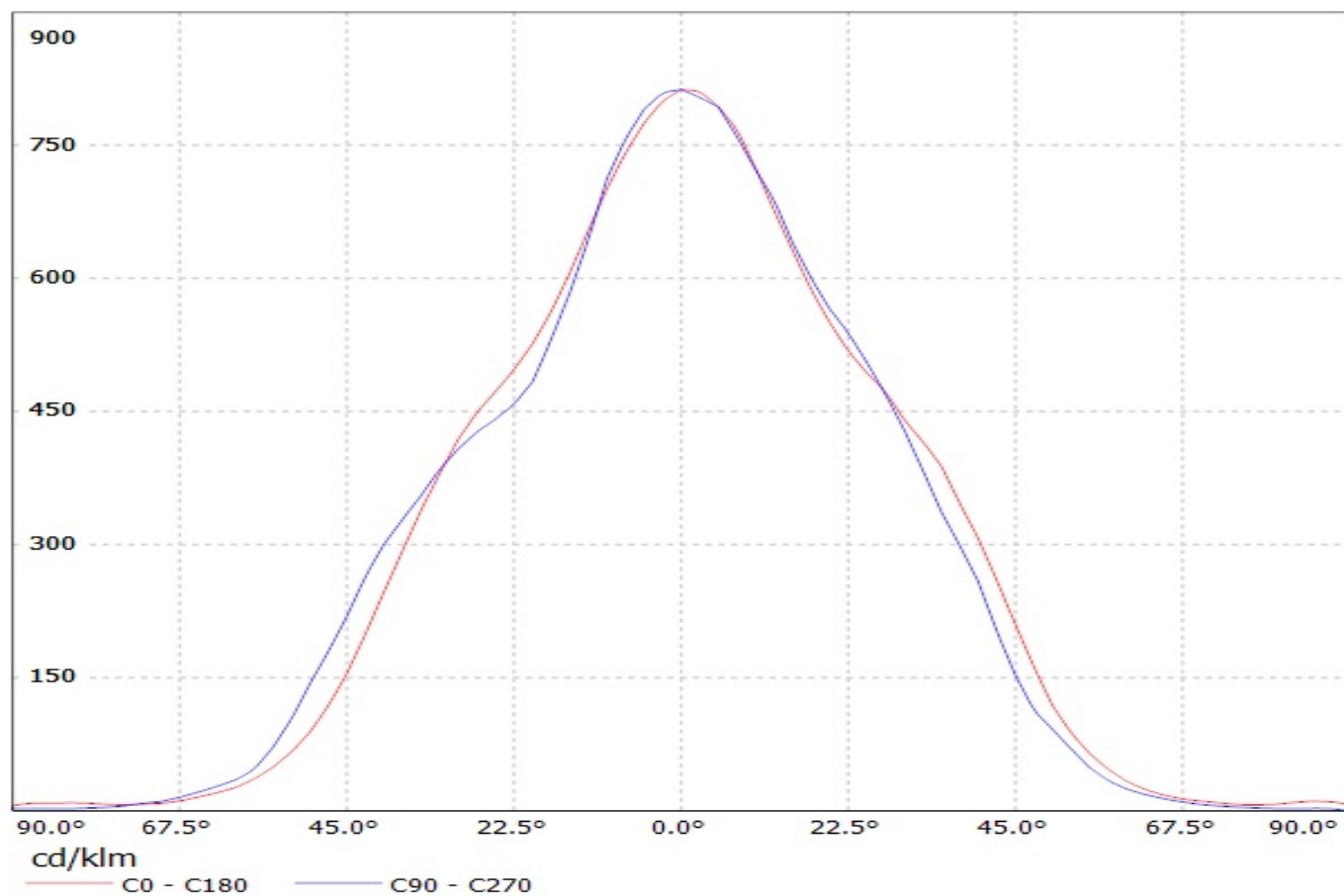
1

1

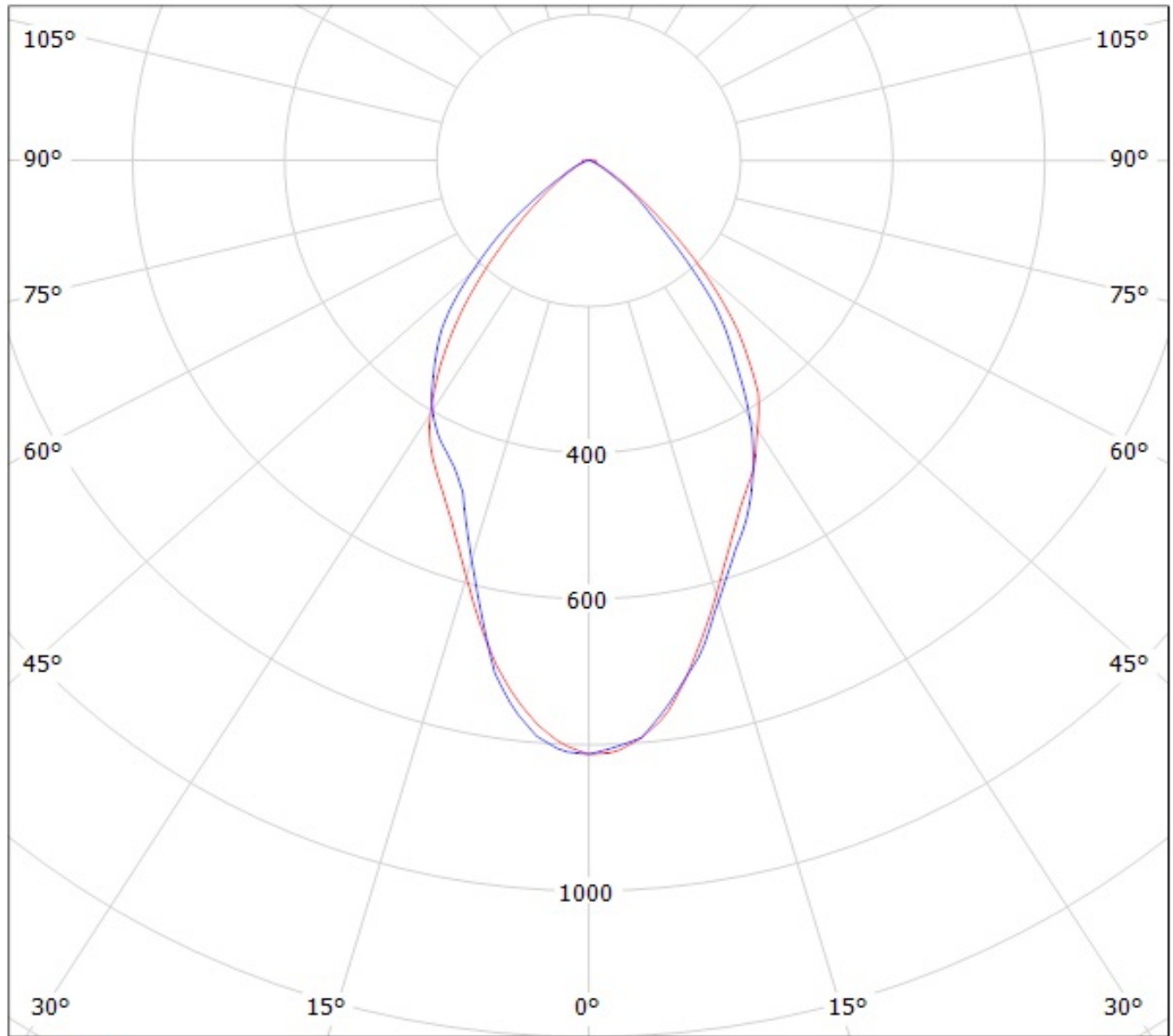
D

A

Luminaire: Ledil Oy FA11027_TINA-WW (Osram Oslon 80dg 85lm @ 250mA) Efficiency=87%
Lamps: 1 x Osram Oslon 80dg 85lm @ 250mA



Luminaire: Ledil Oy FA11027_TINA-WW (Osram Oslon 80dg 85lm @ 250mA) Efficiency=87%
Lamps: 1 x Osram Oslon 80dg 85lm @ 250mA



cd/klm

— C0 - C180

— C90 - C270