

Product Information



9950FTP160P65

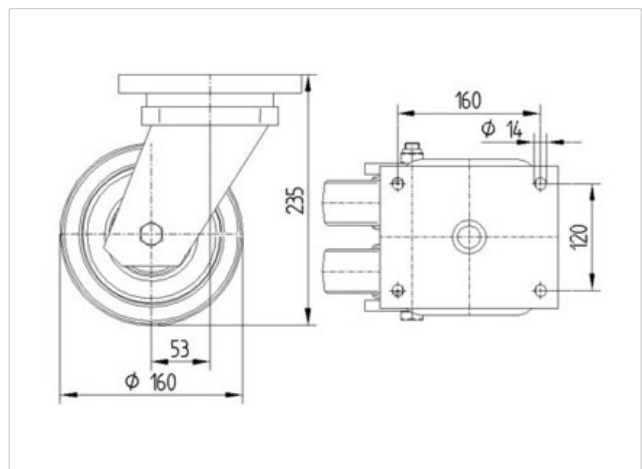
EAN 4031582316773

Swivel castor, housing and plate steel-welded, zinc plated, blue passivated, sealed swivel bearing with dual purpose bearing and tapered roller bearing, threaded king pin and locking nut secured, grease nipple, wheel axle with nut, plate fitting.

Wheel centre made of cast iron, Tread: Polyurethane, casted, precision ball bearing



| Technical Data | |
|------------------------|----------------|
| Wheel diameter | 160 mm |
| Width of Tread | 50 mm |
| Size of Plate | 200 x 160 mm |
| Plate hole centres | 160 x 120 mm |
| Plate hole | 15 mm |
| Offset | 55 mm |
| Swivel Interference | 270 mm |
| Overall height | 235 mm |
| Temperature | - 20 / + 60 °C |
| Standard | EN 12533 |
| Weight | 16.417 kg |
| Swivel Radius | 135 mm |
| Hardness of tread | A 92 Shore |
| Load capacity | 1500 kg |
| Load capacity (static) | 3000 kg |



| | | | | | |
|----------------------|---|---|---|---|---|
| Roll performance | + | + | + | + | + |
| Movement noise | + | + | + | + | + |
| Attrition | + | + | + | + | + |
| Corrosion resistance | + | + | + | + | + |



9950FTP160P65

EAN 4031582316773

