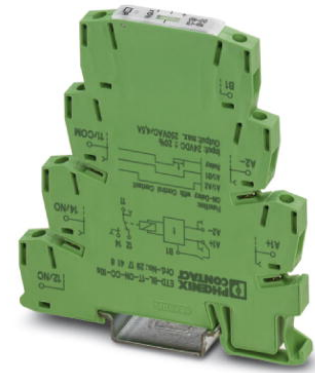


## ETD-BL-1T-ON-CC- 10S

Order No.: 2917418

<http://eshop.phoenixcontact.de/phoenix/treeViewClick.do?UID=2917418>

Timer relay with switch-on delay (with control contact) and an adjustable time range (0.1 s - 10 s), with screw connection

| Commercial data          |                    |
|--------------------------|--------------------|
| EAN                      | 4046356365741      |
| Pack                     | 1 pcs.             |
| Customs tariff           | 85364190           |
| Weight/Piece             | 0.03905 KG         |
| Product key              | 09310              |
| Catalog page information | Page 661 (IF-2009) |

### Product notes

WEEE/RoHS-compliant since:  
11/13/2008



<http://www.download.phoenixcontact.com>  
Please note that the data given here has been taken from the online catalog. For comprehensive information and data, please refer to the user documentation. The General Terms and Conditions of Use apply to Internet downloads.

### Product description

Compact time relay in the 6.2 mm housing in order to control time sequences.

The time is set on the front side using a labeled knurled wheel which is sunk in order to prevent unintentional adjustment. The time can be set using a screwdriver (blade width 2.5 mm).

The compact time relays are available with varied time ranges as well as with screw and spring-cage connections.

## Technical data

### Coil side

|                     |  |
|---------------------|--|
| Input voltage range | 24 V DC (19,2 V DC ...30 V DC)                   |
| Function            | ON-CC: With switch-on delay with control contact |
| Time setting range  | 0.1 s ... 10 s                                   |

### Contact side

|              |                   |
|--------------|-------------------|
| Contact type | 1 floating PDT    |
| Output fuse  | 6.3 A (fast-blow) |

### General data

|   |  |
|---|--|
| Width                                   | 6.2 mm   |
| Height                                  | 86 mm  |
| Depth                                   | 80 mm  |
| Status display                          | LED green (POWER)<br>Yellow LED (relay active) |
| Service life mechanical                 | Approx. $2 \times 10^7$ cycles                 |
| Ambient temperature (operation)         | -20 °C ... 65 °C                               |
| Ambient temperature (storage/transport) | -25 °C ... 80 °C                               |
| Mounting position                       | Any  |
| Assembly instructions                   | on TS 35 profile rail acc. to EN 60715         |
| Color                                   | green  |
| Housing insulation material             | Polyamide PA, self-extinguishing               |
| Permissible humidity (operation)        | 15 % ... 85 %                                  |
| Rated insulation voltage                | 300 V AC (According to EN 50178)               |
| Conformity                              | CE compliant                                   |
| ATEX                                    | Ex II 3 G Ex nAC II T4 X                       |

### Connection data

|  |                      |
|--|----------------------|
| Conductor cross section stranded min.  | 0.14 mm <sup>2</sup> |
| Conductor cross section stranded max.  | 2.5 mm <sup>2</sup>  |
| Conductor cross section solid min.     | 0.14 mm <sup>2</sup> |
| Conductor cross section solid max.     | 2.5 mm <sup>2</sup>  |
| Conductor cross section AWG/kcmil min. | 26                   |
| Conductor cross section AWG/kcmil max  | 14                   |
| Stripping length                       | 10 mm                |
| Type of connection                     | Screw connection     |

### Control contact

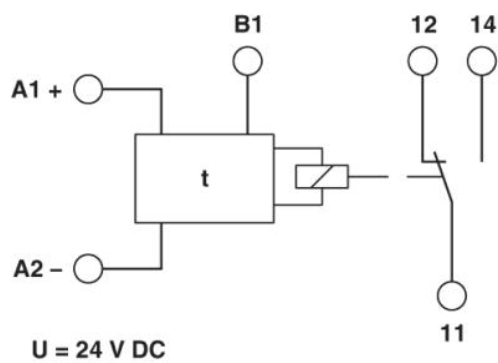
|                      |                               |
|----------------------|-------------------------------|
| Connection name      | Non-floating, terminals A1-B1 |
| Control pulse length | min. 50 ms                    |

### Certificates / Approvals

Certification Ex: PxC-EX

### Drawings

Block diagram



**Address**

PHOENIX CONTACT GmbH & Co. KG  
Flachsmarktstr. 8  
32825 Blomberg, Germany  
Phone +49 5235 3 00  
Fax +49 5235 3 41200  
<http://www.phoenixcontact.de>



© 2009 Phoenix Contact  
Technical modifications reserved;