

PRODUCT NUMBER

77315-YXX-XXLF

WHEN REQUIRED, ADD SUFFIX LETTER "LF"  
INDICATES THE PRODUCT IS RoHS  
COMPATIBLE, SEE NOTE 7

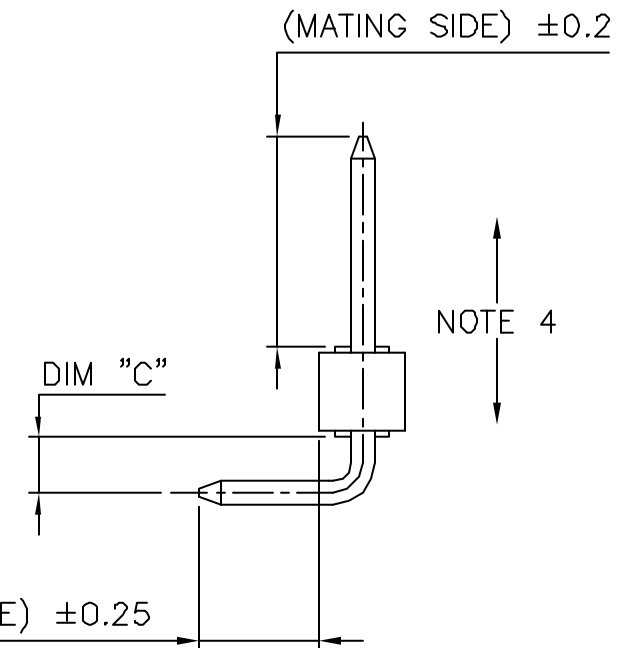
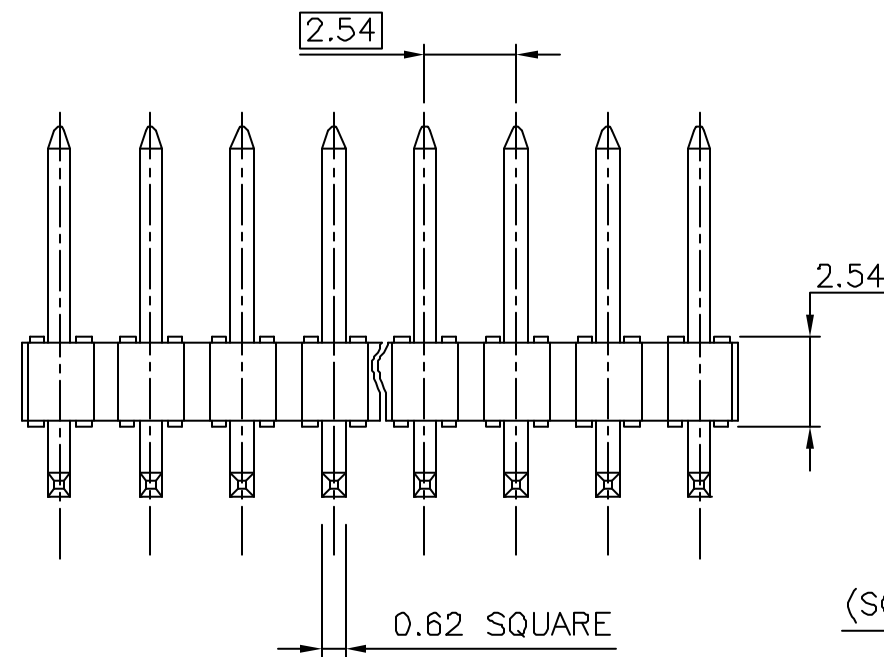
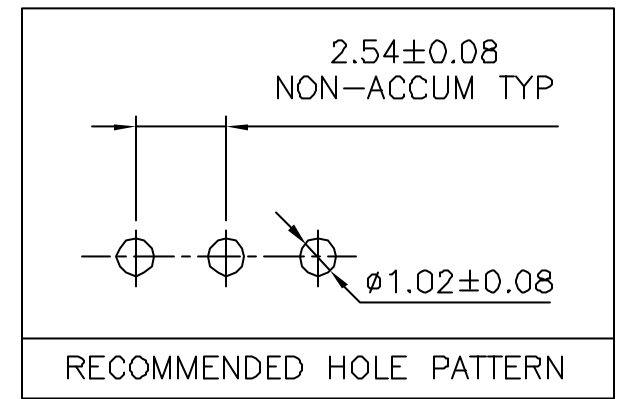
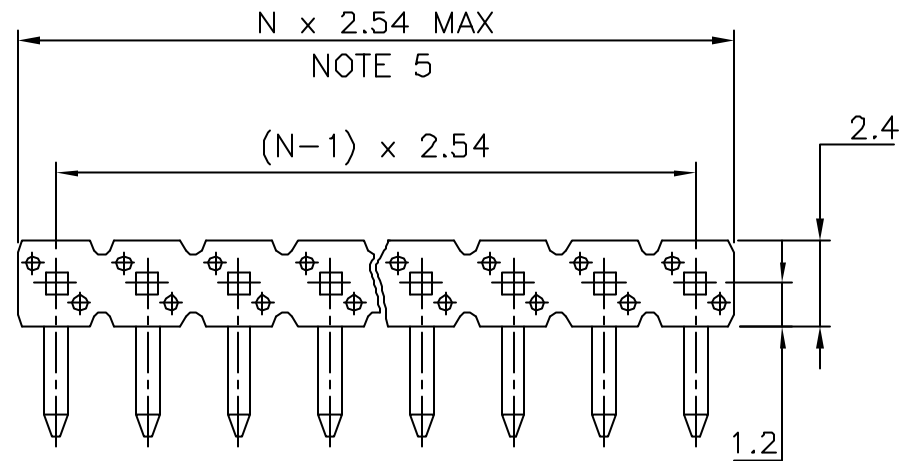
TOTAL NB OF POSITIONS 02 TO 36

PIN STYLE SEE SHEET 2

PLATING SEE SHEET 2

NOTES:

1. HOUSING MAT'L : HIGH TEMPERATURE THERMOPLASTIC. UL94V-0 COLOR: BLACK
2. PIN MATERIAL : PHOSPHOR BRONZE
3. PRODUCT PACKAGED IN POLY BAGS.
4. 9N MIN RETENTION IN EITHER DIRECTION
5. TO DETERMINE DIMENSIONS :  
N = NUMBER OF POSITIONS PER ROW  
EXAMPLE : 8 POS N x 2.54 = 20.32mm
6. UNDERPLATING : 1.27µm Ni MIN
7. RoHS COMPATIBLE PRODUCT SPECIFICATIONS
  - a - PLATING:
    - "LF" MEANS THE PRODUCT IS LEAD-FREE, 2µm MINIMUM MATTE TIN OVER 1.27µm MINIMUM NICKEL UNDERPLATE.
  - b - MANUFACTURING PROCESS COMPATIBILITY
    - THE HOUSING WILL WITHSTAND EXPOSURE TO 260°C ±5°C SOLDER BATH TEMPERATURE FOR 5 SECONDS IN A WAVE SOLDER APPLICATION WITH A 1.6mm MIN THICK CIRCUIT BOARD.
  - c - LABELING:
    - MEETS PACKAGING SPECS AS PER GS-14-920
  - d - LEGAL STATEMENT: SEE GS-22-008



mat'l. code		surface		tolerance		projection		product family	
SEE NOTES		ISO 1302 ✓		ISO 406 ISO 1101		mm		BERGSTIK	
ltr	ecn no	dr	date	tolerances unless otherwise specified		mm		title	
AC	F08-0242	LMU	08.11.03	angles	linear	mm		UNSHR.HEADER	
						scale 5:1		RA SR TMT	
W	F04-0167	JOC	04.04.05					dwg no	
X	F04-0362	LMU	04.11.29	dr	D.LE	01.01.24		sheet 1 of 2	
Y	F05-0221	LMU	05.07.13	enr	JM.C	01.01.24		size	
AA	F06-0194	LMU	06.06.09	chr	JM.C	01.01.24		A3	
AB	F08-0146	RTR	08.03.31	appd	JF.N	01.01.24		type	
sheet	revision	AC	AA					CUSTOMER Drawing	
index	sheet	1	2						



Copyright FCJ

1

2 3

4

5

6

CATALOGUE RANGE

PLATING	PIN STYLE	MATING	SOLDER	DIM "C"
1/4/8	01	5.72	2.57	1.5
1/4/8	18	5.84	3.05	1.5
1/4/8	24	6.75	2.85	1.5

PLATING

- 1 = 0.76µm GOLD/GXT ON CONTACT AREA  
3.81µm TIN-LEAD ON TAIL
- 4 = 3.81µm TIN-LEAD ON CONTACT AREA  
AND ON TAIL
- 8 = 0.38µm GOLD/GXT ON CONTACT AREA  
3.81µm TIN-LEAD ON TAIL
- WHEN "LF" IS REQUIRED, 2µm MATTE  
TIN OVER 1.27µm MIN NICKEL IS  
PROVIDED INSTEAD OF TIN-LEAD

APPLICATION SPECIFIC

PLATING	PIN STYLE	MATING	SOLDER	DIM "C"
1/4/8	02	5.72	5.11	1.5
1/4/8	07	5.72	5.11	3.9
1/4/8	13	5.72	3.45	1.5
1/4/8	22	11.71	3.2	1.5
1/4/8	25	8.07	3.05	1.5
1/4/8	26	8.2	12.6	1.5
1/4/8	27	5	3.9	1.5
1/4/8	28	3.1	3.1	1.5

PLATING

- 1 = 0.76µm GOLD/GXT ON CONTACT AREA  
3.81µm TIN-LEAD ON TAIL
- 4 = 3.81µm TIN-LEAD ON CONTACT AREA  
AND ON TAIL
- 8 = 0.38µm GOLD/GXT ON CONTACT AREA  
3.81µm TIN-LEAD ON TAIL
- WHEN "LF" IS REQUIRED, 2µm MATTE  
TIN OVER 1.27µm MIN NICKEL IS  
PROVIDED INSTEAD OF TIN-LEAD

A

A

B

B

C

C

D

D



Copyright FCI

mat'l. code		surface		tolerance		projection		product family	
SEE NOTES		ISO 1302 ✓		ISO 406 ISO 1101				BERGSTIK	
Ltr	ecn no	dr	date	tolerances unless otherwise specified		mm		title	
U	F20563	JCO	02.10.16	angles	linear	x ±0.3		UNSHR.HEADER RA SR TMT	
V	F04-0362	LMU	04.11.29			.XX ±0.15			
W	F05-0221	LMU	05.07.13	.XXX ±0.05		scale 5:1			
X	F06-0194	LMU	06.06.09	dr	D.LE	01.01.24		dwg no sheet 2 of 2 size	
Y	F08-0148	RTR	08.03.31	enr	JM.C	01.01.24		77315 A3	
AA	F08-0242	LMU	08.11.03	chr	JM.C	01.01.24		type CUSTOMER Drawing	
				appd	JF.N	01.01.24			
sheet index	revision sheet								