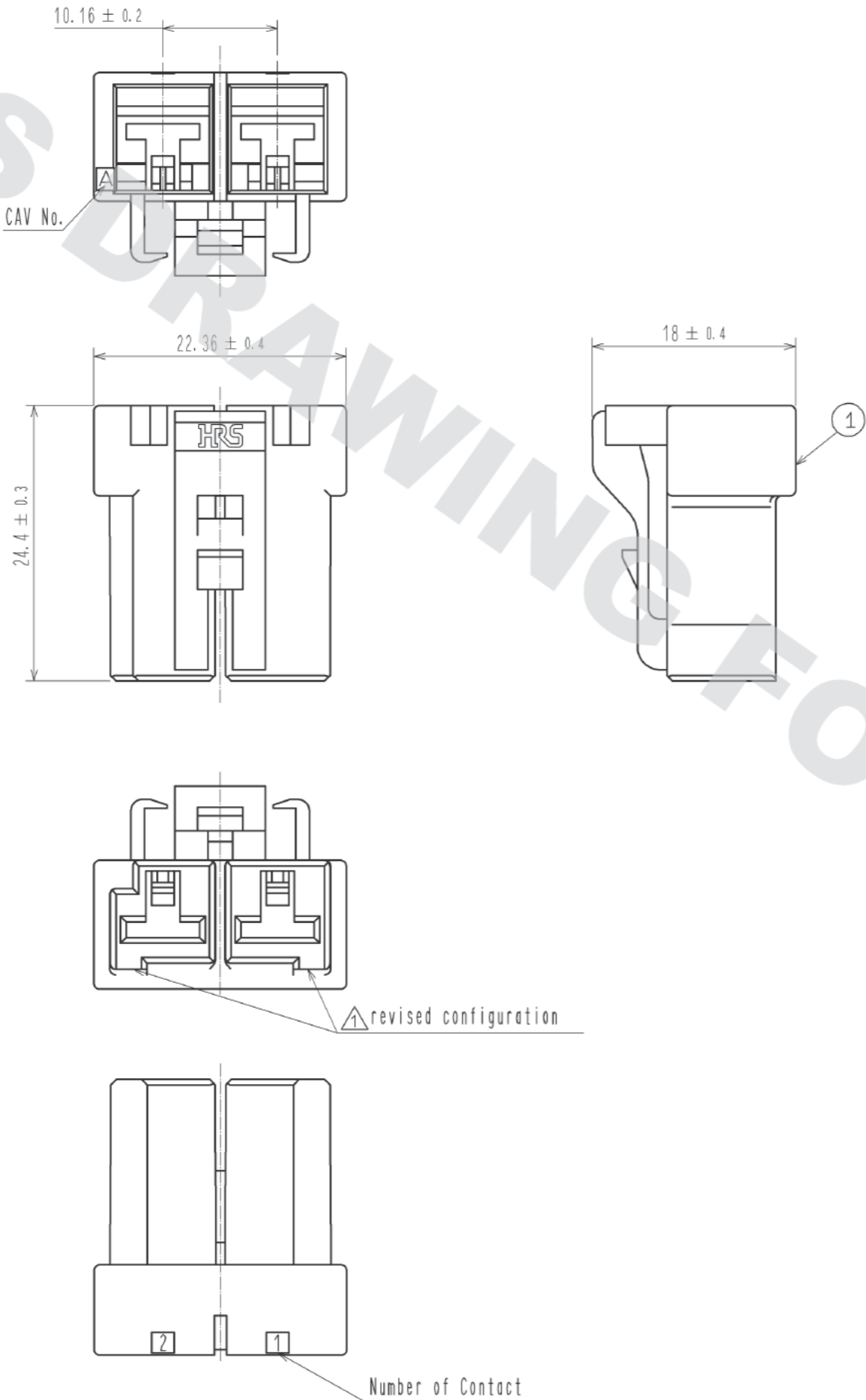


DRAWING FOR REFERENCE: This is subject to change without notice
05/31/2013



NOTE1. Per Pack : 100 Pieces

NO.	MATERIAL	FINISH . REMARKS	NO.	MATERIAL	FINISH . REMARKS		
1	PBT			Black, UL94-V0			
UNITS	mm	SCALE	COUNT	DESCRIPTION OF REVISIONS	DESIGNED	CHECKED	DATE
		2 : 1	1	DIS-H-007366	SZ. ONO	OM. MIYAMOTO	12. 11. 02
HRS HIROSE ELECTRIC CO., LTD.		APPROVED : KI. AKIYAMA	11. 12. 09	DRAWING NO.	EDC3-338979-01		
		CHECED : OM. MIYAMOTO	11. 12. 09	PART NO.	DF60-2S-10. 16C		
		DESIGNED : SZ. ONO	11. 12. 08	CODE NO.	CL680-3010-8-00		
		DRAWN : SZ. ONO	11. 12. 08		1/1		