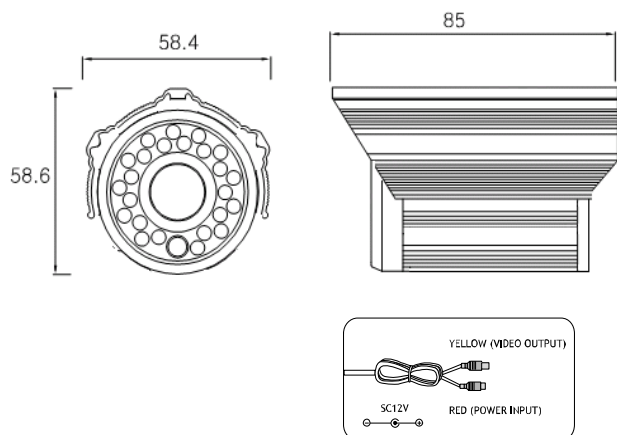


## COLOR IR LED CAMERA 7769377

### ► CAUTION

- Do not open or strike this equipment. Sensitive electronics inside are vulnerable to excessive shock.
- Do not install the equipment near any naked flames or heat sources. Excessive heat could damage this unit.
- Do not cover cloth or to install this unit in poorly ventilated places. This may lead to overheating.
- Do not continue to operate if there appears to be fault.  
If the unit ceases to function, contact qualified service personnel for help.
- Do not touch the power connection with wet hands. Risk of short circuit or electric shock.
- Do not damage the power cord or leave it under pressure. Risk of fire or shock circuit.



### FEATURE

#### SONY 960H EXVIEW II SUPER HAD CCD HIGH RESOLUTION (50Φ, 24LEDs)

- IR Range: 20Mt
- 700TV Line
- Minimum Illumination : 0.005Lux (F:1.2)
- Auto White Balance
- Automatic Gain Control
- Dimension(mm) : 50Φ, 24LEDs
- Power Source : DC12V (6.5V-28V)
- Standard 1200mm, BNC/DC Jack
- 3.6mm Fixed Lens

SPECIFICATION	SCI124EH (NTSC)	SCI124EH (PAL)
Image Device	1/3" SONY 960H EXVIEW II SUPER HAD CCD	
Picture Elements	1020(H)×508(V)	1020(H)×596(V)
Scanning System	525 Lines, 2:1 Interlace	625 Lines, 2:1 Interlace
Sync System	Internal Synchronization	
Horizontal Resolution	700 TV Line	
Video Output	1Vp-p 75Ω	
S/N Ratio	More Than 52dB (AGC Off)	
Gamma Characteristic	0.45	
Gain Control	AUTO	
White Balance	Auto 2300°K - 9500°K	
Electronic Shutter	1/60-1/100,000sec (Auto)	1/50-1/100,000sec (Auto)
LENS	3.6mm Fixed Lens	
Smear Effect	0.005%	
Minimum Illumination	0.005Lux (F:1.2)	
Power Consumption	12V DC(6.5V-28V), 350mA (IR ON)	
Operation Temperature	-10°C ~ +50°C, RH95% Max (14°F-122°F)	
Storage Temperature	-20°C ~ +60°C, RH95% Max	
Weight	Approx 380 g	
Housing	ALUMINUM	
Dimension(mm)	50Φ, 24LEDs	
Cable(option)	Standard 1200mm BNC/DC Jack	