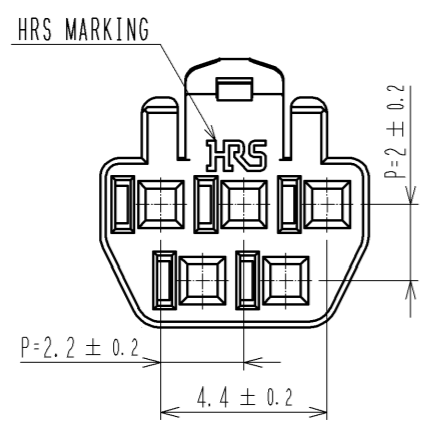
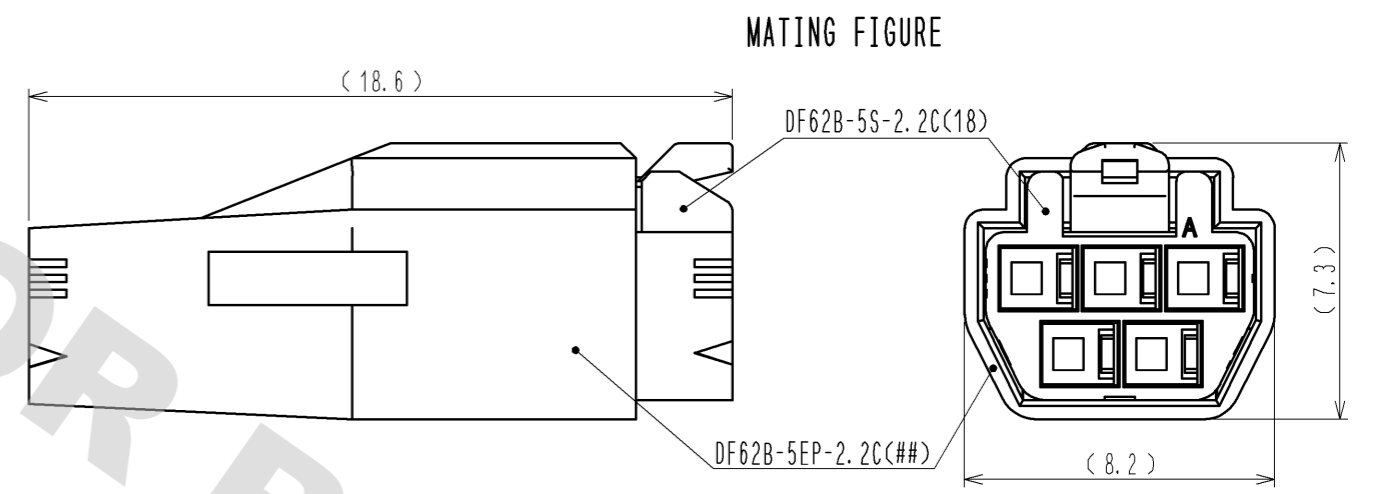
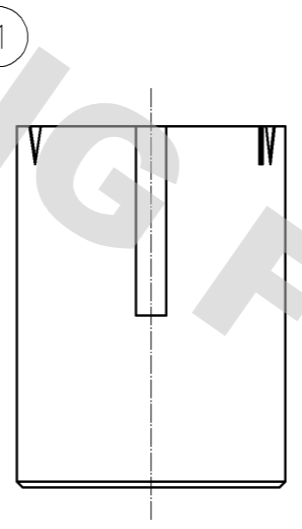
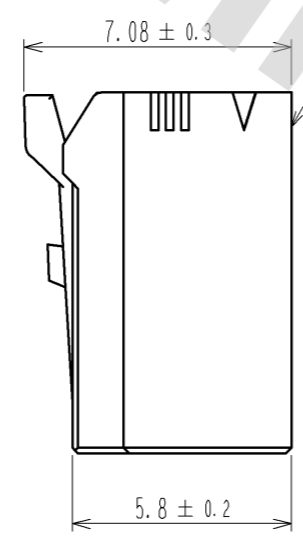
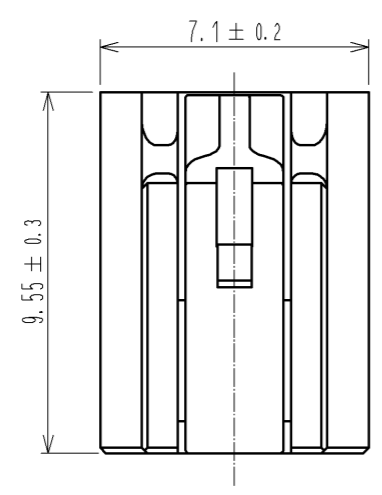
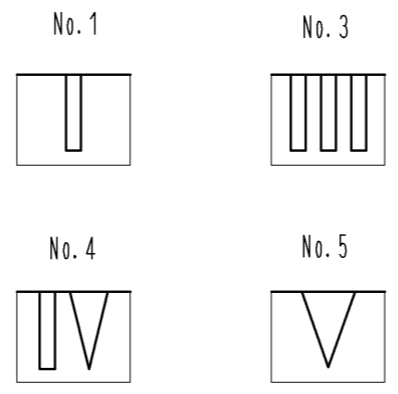
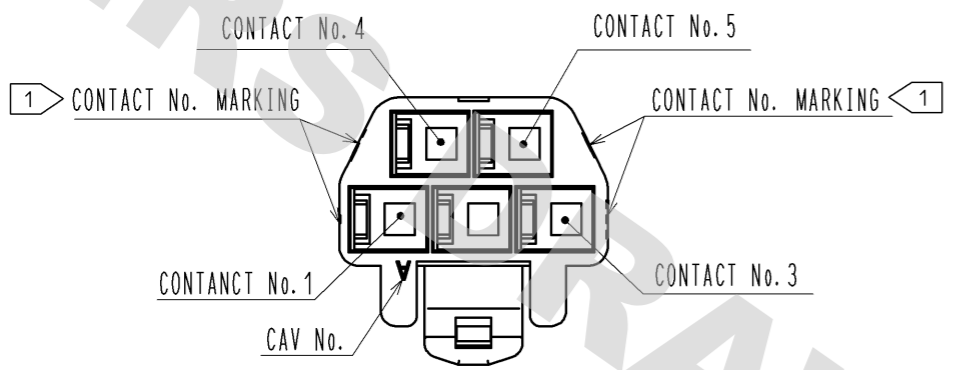


DRAWING FOR REFERENCE: This is subject to change without notice  
12/05/2013

1 FIGURE-1 CONTACT No. MARKING (10:1)



NOTE. 1. MARKINGS AT THE INDICATED POSITIONS ARE CONTACT NO. MARKING. AND SHAPES ARE SHOWN IN FIGURE-1.  
2. PER PACK : 100 PIECES.  
3. THE DIMENSIONS IN PARENTHESIS ARE FOR REFERENCE.

NO.		MATERIAL		FINISH . REMARKS		1	PBT	UL94V-0 (RED)
UNITS mm		SCALE 5 : 1		COUNT		DESIGNED		CHECKED
HRS		HIROSE ELECTRIC CO., LTD.		APPROVED : KI. AKIYAMA 13. 09. 11		DRAWING NO.		EDC3-351959-02
				CHECKED : OM. MIYAMOTO 13. 09. 11		PART NO.		DF62B-5S-2. 2C(18)
				DESIGNED : TH. YOSHIZAWA 13. 09. 11		CODE NO.		CL544-0554-8-18
				DRAWN : MI. SAKIMURA 13. 09. 06				1/1