

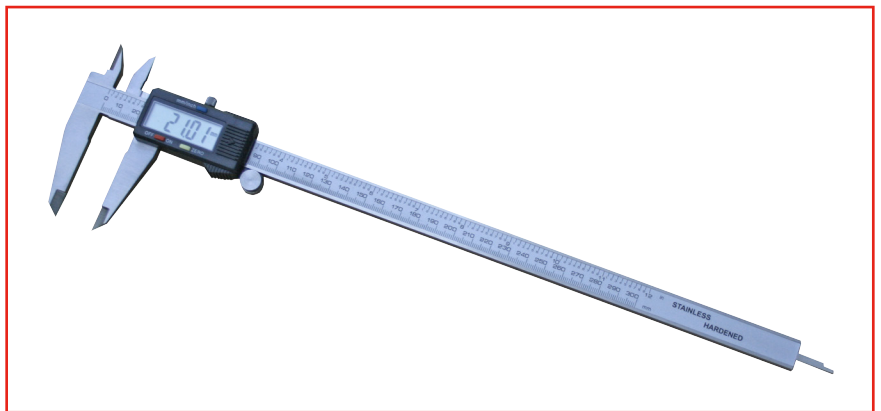


ENGLISH

Datasheet

RS Pro Electronic Digital Caliper 300mm/12"

RS Stock No: 841-2515



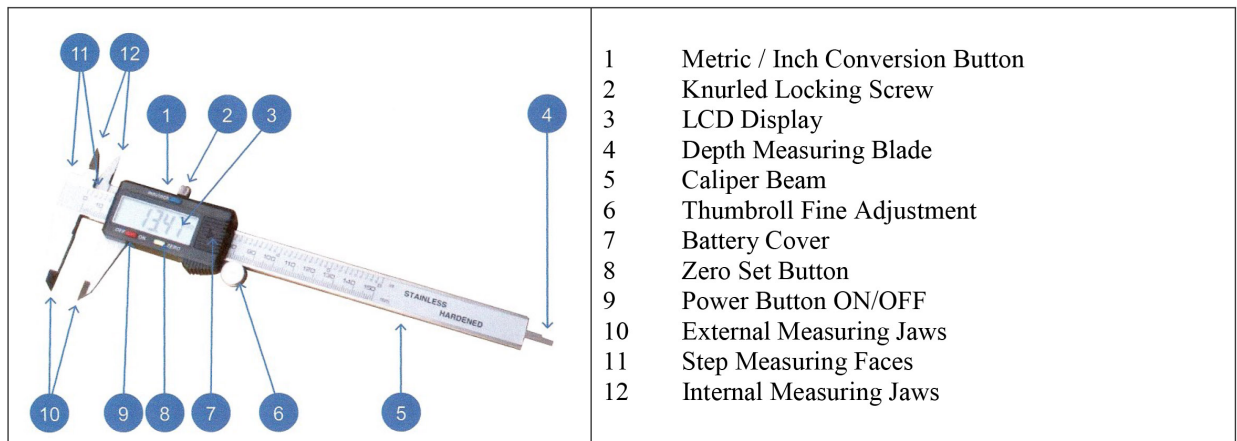
Specifications:

Hardened stainless steel frame and measuring jaws
Thumbroll adjustment
Knurled locking screw
Depth rod
Clear LCD Display
Large 11mm digits
Inch/Metric conversion (not available on 247-206 model)
Origin setting
Resolution: 0.01mm / 0.0005"
Repeatability: 0.01mm / 0.0005"
4 Way measurement:
Individual serial numbers
Power: 1 x Silver oxide battery SR44 - 1.55v
Operating temperature: 5 - 40°C
Relative humidity: Maximum 80%
Warranty: 1 year

Order Code	Manufacturers Code	Description
841-2515	49-923-300	Electronic Digital Caliper 300mm/12"

Datasheet

RS Pro Electronic Digital Caliper 300mm/12"



Range	Resolution	Repeatability	External Jaw Length	Internal Jaw Length
300mm / 12"	0.01mm / 0.0005"	0.01mm / 0.0005"	60mm	20mm

Accuracy:

±0.02mm (≤ 100mm)

±0.03mm (≥ 100mm – 200mm)

±0.04mm (≥ 200mm – 300mm)

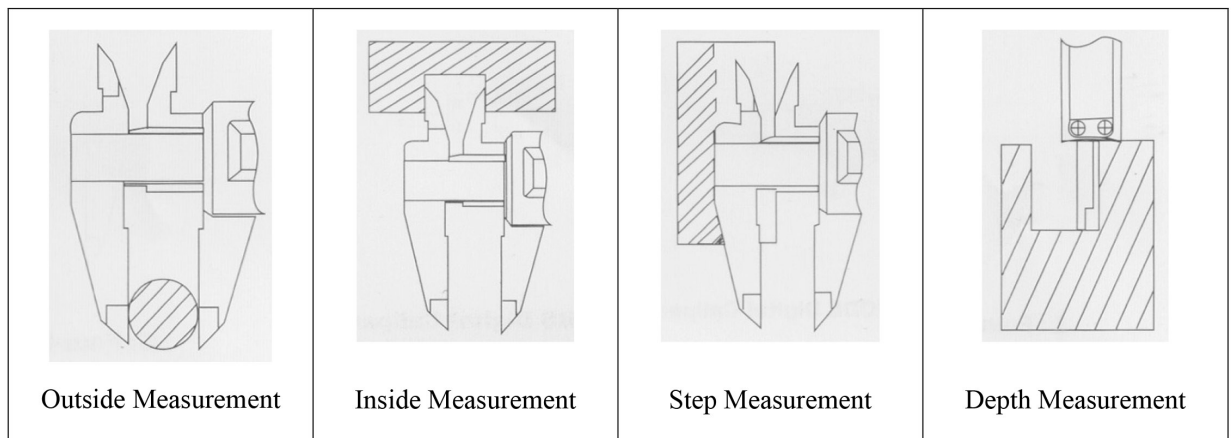


ENGLISH

Datasheet

RS Pro Electronic Digital Caliper 300mm/12"

4 Way Measurement Feature:



Operating Instructions:

When using the Caliper for the first time or after a period of non-use, wipe the beam scale with a dry clean cloth to remove any condensation or oil deposits.

Prior to setting the caliper for measuring, first clean the measuring faces with a soft clean cloth or paper.

Switch Caliper ON

Move Caliper jaws together.

Select required measuring mode Inch / Metric.

Zero display, caliper is now ready for direct measurement.

Caliper can be zeroed at any position within its range, to provide relative measurements.

Caliper provides 4 way measurements, External, Internal, Step and Depth.



ENGLISH

Datasheet

RS Pro Electronic Digital Caliper 300mm/12"

Operating Care:

Clean measuring faces with dry soft cloth

Keep away from strong magnetic fields

Prevent ingress of oil / liquids into electronics

Remove battery if instrument is not used for a long period of time

Do not disassemble or drop the instrument

Do not mark instrument by engraving, etching or any other permanent marking method, as this will invalidate the warranty

Fault Finding:

Fault	Cause	Action
Display flashes	Battery voltage below 1.45volts	Replace battery
Display frozen	Circuit overload	Remove battery and replace after 4 minutes
Accuracy below specification but within +/- 0.1mm	Dirt in sensor	Remove slider cover assembly, clean face of sensor with dry clean compressed air (5kg/cm ²)
No display	Poor battery contact	Remove battery and carefully adjust battery contacts, replace battery.
	Dead battery	Replace battery.