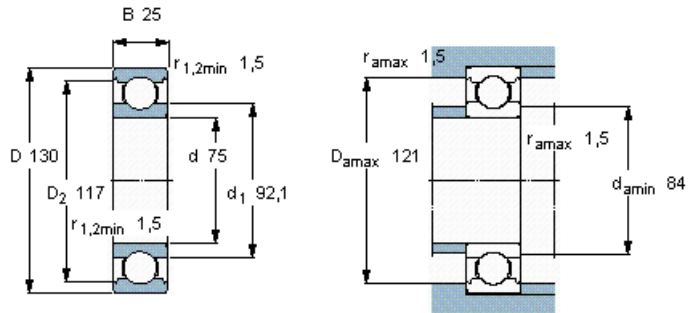


Deep groove ball bearings, single row

Principal dimensions			Basic load ratings		Fatigue load limit P_u	Speed ratings		Mass	Designation
d	D	B	dynamic	static		Reference speed	Limiting speed		
mm			C	C_0	kN	r/min	kg	-	* - SKF Explorer bearing
75	130	25	68,9	49	2,04	10000	6700	1,20	6215 *



Calculation factors

k_r 0,025
 f_0 15