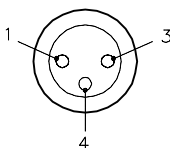
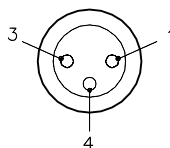
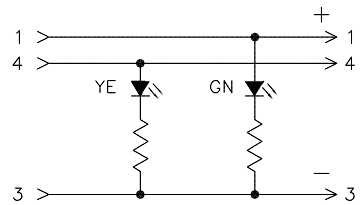
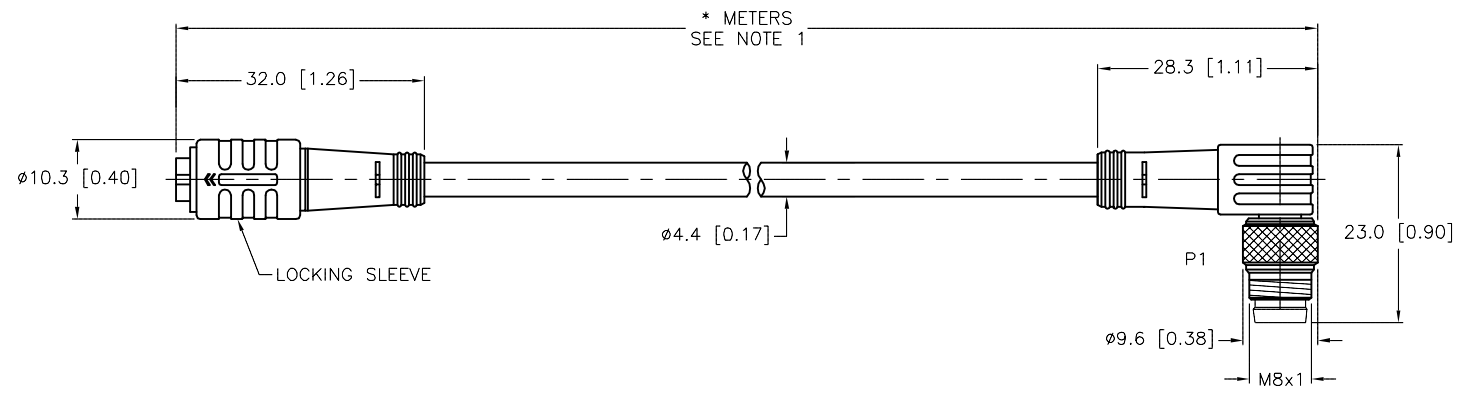
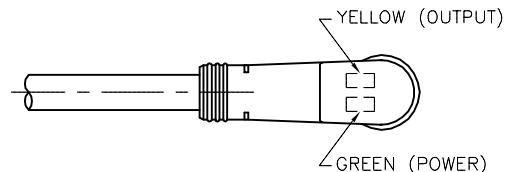


FEMALE END VIEW	MALE END VIEW	WIRING DIAGRAM	SPECIFICATIONS																										
 <p>1 = BROWN 3 = BLUE 4 = BLACK</p>	 <p>1 = BROWN 3 = BLUE 4 = BLACK</p>	 <p>1 = VOLTAGE (+) (GREEN) 3 = COMMON (-) 4 = OUTPUT (YELLOW)</p>	<table border="1"> <tr><td>CONTACT CARRIER MATERIAL</td><td>NYLON OR TPU</td></tr> <tr><td>MOLDED HEAD MATERIAL/COLOR (P1)</td><td>TPU/CLEAR</td></tr> <tr><td>MOLDED HEAD MATERIAL/COLOR (J1)</td><td>TPU/YELLOW</td></tr> <tr><td>CONTACT MATERIAL/PLATING</td><td>BRASS/GOLD</td></tr> <tr><td>COUPLING NUT MATERIAL/PLATING</td><td>BRASS/NICKEL</td></tr> <tr><td>LOCKING SLEEVE</td><td>POM, SNAP LOCK</td></tr> <tr><td>RATED CURRENT [A]</td><td>4.0 A</td></tr> <tr><td>RATED VOLTAGE [V]</td><td>10 VAC/30 VDC</td></tr> <tr><td>OUTER CABLE JACKET MATERIAL/COLOR</td><td>PVC/YELLOW</td></tr> <tr><td>CONDUCTOR INSULATION MATERIAL</td><td>PVC</td></tr> <tr><td>NUMBER OF CONDUCTORS [AWG]</td><td>3x24 AWG</td></tr> <tr><td>TEMPERATURE RANGE</td><td>-40°C to +105°C (-40°F to +221°F)</td></tr> <tr><td>PROTECTION CLASS</td><td>MEETS NEMA 1,3,4,6P AND IEC IP67</td></tr> </table>	CONTACT CARRIER MATERIAL	NYLON OR TPU	MOLDED HEAD MATERIAL/COLOR (P1)	TPU/CLEAR	MOLDED HEAD MATERIAL/COLOR (J1)	TPU/YELLOW	CONTACT MATERIAL/PLATING	BRASS/GOLD	COUPLING NUT MATERIAL/PLATING	BRASS/NICKEL	LOCKING SLEEVE	POM, SNAP LOCK	RATED CURRENT [A]	4.0 A	RATED VOLTAGE [V]	10 VAC/30 VDC	OUTER CABLE JACKET MATERIAL/COLOR	PVC/YELLOW	CONDUCTOR INSULATION MATERIAL	PVC	NUMBER OF CONDUCTORS [AWG]	3x24 AWG	TEMPERATURE RANGE	-40°C to +105°C (-40°F to +221°F)	PROTECTION CLASS	MEETS NEMA 1,3,4,6P AND IEC IP67
CONTACT CARRIER MATERIAL	NYLON OR TPU																												
MOLDED HEAD MATERIAL/COLOR (P1)	TPU/CLEAR																												
MOLDED HEAD MATERIAL/COLOR (J1)	TPU/YELLOW																												
CONTACT MATERIAL/PLATING	BRASS/GOLD																												
COUPLING NUT MATERIAL/PLATING	BRASS/NICKEL																												
LOCKING SLEEVE	POM, SNAP LOCK																												
RATED CURRENT [A]	4.0 A																												
RATED VOLTAGE [V]	10 VAC/30 VDC																												
OUTER CABLE JACKET MATERIAL/COLOR	PVC/YELLOW																												
CONDUCTOR INSULATION MATERIAL	PVC																												
NUMBER OF CONDUCTORS [AWG]	3x24 AWG																												
TEMPERATURE RANGE	-40°C to +105°C (-40°F to +221°F)																												
PROTECTION CLASS	MEETS NEMA 1,3,4,6P AND IEC IP67																												



CABLE LENGTH	TOLERANCE *
ALL LENGTHS	+ 4% (OR 50mm) OF LENGTH - 0% (OR 0mm) OF LENGTH WHICHEVER IS GREATER
STRIP LENGTH	TOLERANCE *
0-7mm	±0.5mm
8-29mm	±1.0mm
30-49mm	±2.0mm
50-69mm	±3.0mm
70-100mm	±4.0mm
OVER 100mm	±5.0mm

* UNLESS OTHERWISE SPECIFIED

NOTES:
1. "*" INDICATES CABLE LENGTH IN METERS. CONTACT TURCK TO ORDER SPECIFIC LENGTHS.

SOURCE DRAWING - FOR REFERENCE ONLY

RELATED DOCUMENTS	3RD ANGLE PROJECTION	THIS DRAWING IS CONFIDENTIAL AND THE PROPERTY OF TURCK INC. USE OF THIS DOCUMENT WITHOUT WRITTEN PERMISSION IS PROHIBITED.		TURCK INC High Technology Sensors and Automation Controls 3000 CAMPUS DRIVE MINNEAPOLIS, MN 55441 1-800-544-7769 (763) 553-7300 (763) 553-0708 fax turck.com	
1.		DRFT	RDS	DATE	12/21/06
2.		APVD		SCALE	1=1.0
3.	ALL DIMENSIONS DISPLAYED ON THIS DRAWING ARE FOR REFERENCE ONLY	UNIT OF MEASUREMENT			DESCRIPTION
4.		MILLIMETER [INCH]			PKG 3Z--*--PSW 3M-P7X2
MATERIAL	CONTACT TURCK FOR MORE INFORMATION	DO NOT SCALE THIS DRAWING			IDENTIFICATION NO.
SEE SPECIFICATIONS		FILE: 777015047			REV
FINISH					C
SEE SPECIFICATIONS					SHEET 1 OF 1

C	UPDATE MALE CONNECTOR	RDS	12/28/12	40805
REV	DESCRIPTION	BY	DATE	ECO NO.