

Product Information



3478UAR160P63 red

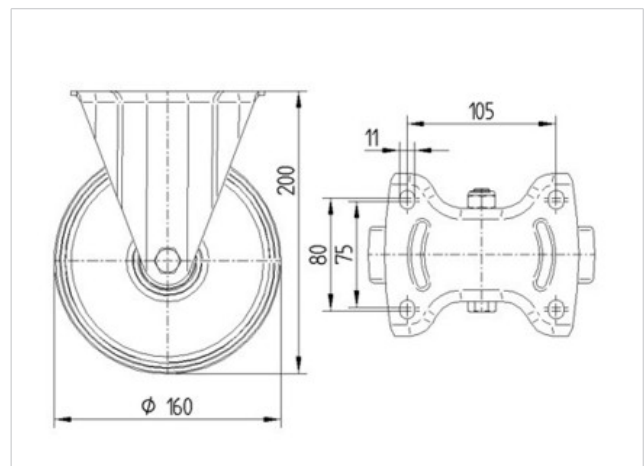
EAN 4031582306866

Fixed castor, Fork made of pressed steel, bright zinc plated, blue passivated, wheel axle with nut, plate fitting.

Wheel centre made of Polyamide, Tread: Polyurethane, roller bearing



Technical Data	
Wheel diameter	160 mm
Width of Tread	40 mm
Size of Plate	137 x 115 mm
Plate hole centres	105 x 80/75 mm
Plate hole	11 mm
Overall height	200 mm
Temperature	- 40 / + 80 °C
Standard	EN 12532
Weight	1.573 kg
Hardness of tread	D 60 Shore
Load capacity	350 kg
Load capacity (static)	700 kg



Roll performance	+	+	+	+	+
Movement noise	+	+	+	+	+
Attrition	+	+	+	+	+
Corrosion resistance	+	+	+	+	+



3478UAR160P63 red

EAN 4031582306866

