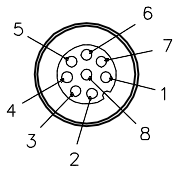
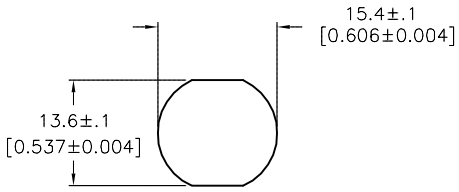


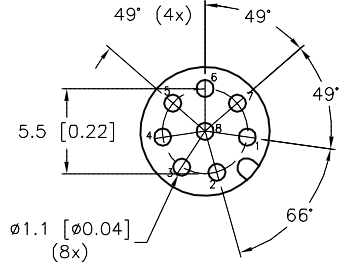
FEMALE END VIEW



TYPICAL PANEL CUTOUT



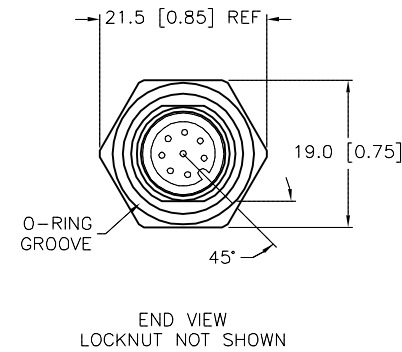
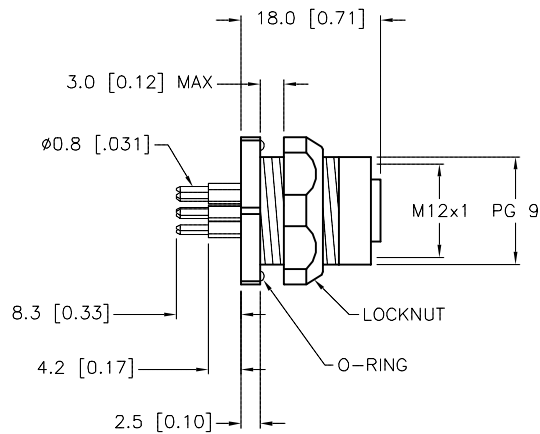
TYPICAL BOARD LAYOUT



SCALE: 2=1

SPECIFICATIONS

CONTACT CARRIER MATERIAL	NYLON OR TPU
CONTACT MATERIAL/PLATING	BRASS/GOLD
HOUSING/LOCKNUT MATERIAL/PLATING	BRASS/NICKEL
RATED CURRENT [A]	1.5 A
RATED VOLTAGE [V]	60 VAC/75 VDC
NUMBER OF CONDUCTORS [AWG]	PRINTED CIRCUIT PINS
TEMPERATURE RATING	-40°C TO +90°C (-40°F TO +194°F)
PROTECTION CLASS	MEETS NEMA 1,3,4,6P AND IEC IP68



SOURCE DRAWING - FOR REFERENCE ONLY

RELATED DOCUMENTS	3RD ANGLE PROJECTION	THIS DRAWING IS CONFIDENTIAL AND THE PROPERTY OF TURCK INC. USE OF THIS DOCUMENT WITHOUT WRITTEN PERMISSION IS PROHIBITED.	TURCK INC High Technology Sensors and Automation Controls 3000 CAMPUS DRIVE MINNEAPOLIS, MN 55441 1-800-544-7769 (763) 553-7300 (763) 553-0708 fax turck.com
1.			
2.		DRFT RDS	DATE 02/23/07
3.		APVD	SCALE 1=1.0
4.		UNIT OF MEASUREMENT	
MATERIAL	ALL DIMENSIONS DISPLAYED ON THIS DRAWING ARE FOR REFERENCE ONLY	MILLIMETER [INCH]	
FINISH		DO NOT SCALE THIS DRAWING	
	CONTACT TURCK FOR MORE INFORMATION	DESCRIPTION	
		FKFDK 8-PCB	
		IDENTIFICATION NO.	REV
		U2-11606	E
		FILE: U2-11606	SHEET 1 OF 1

E	UPDATE VOLTAGE RATINGS	RDS	05/07/14	45688
REV	DESCRIPTION	BY	DATE	ECO NO.