



ENGLISH

Datasheet

RS Pro Round Clip 4.06mm Natural Nylon 66

RS Stock No: **404-459**



Product Details

RS Pro round clip in natural colour, is made of nylon 66 and has a maximum bundle diameter of 4.06 mm. All items incorporate a large self adhesive area. The flexible centre tang helps in removal or addition of cables.

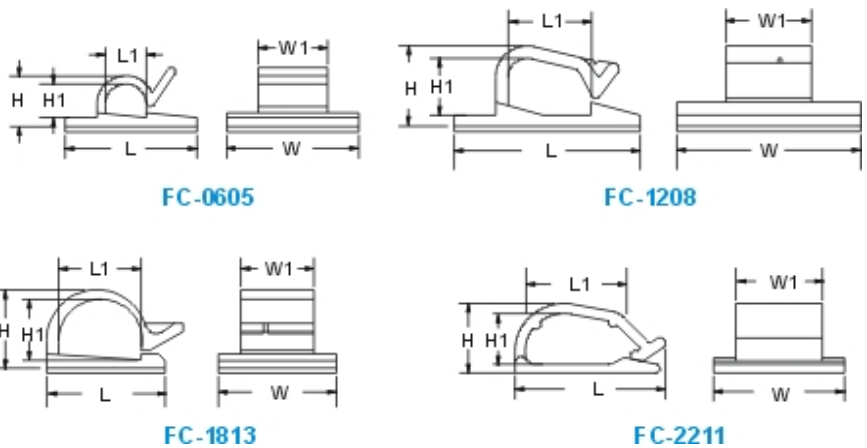
Features and Benefits

- Made of natural nylon with UL flammability 94V-2F
- Suitable for cable bundle diameters from 4.06 to 15.75 mm
- Dimensions: 19 x 19 x 7.2 mm
- Self adhesive affixing method
- Comes in natural colour

**Specifications:**

Affixing Method	Self Adhesive
Cable Clip/Clamp Style	Round Clip
Colour	Natural
Depth	7.2 mm
Dimensions [L x W (x D)]	19 x 19 x 7.2 mm
Length	19 mm
Material	Nylon 66
Maximum Bundle Diameter	4.06 mm
Width	19 mm
Standards Met	UL 94V-2

Material: UL approved Natural Nylon 66, 94V-2. (Backed with Adhesive tape)
Color: Natural



Unit:mm

	Item No.	L	L1	W	W1	H	H1	Packing
.	<input type="checkbox"/> FC-0605	19	5.9	19	10	7.2	4.9	
.	<input type="checkbox"/> FC-1208	26.8	11.9	26.5	12.3	11.7	8.3	
.	<input type="checkbox"/> FC-1813	25.6	17.8	25.5	15.8	17.2	13.3	
.	<input type="checkbox"/> FC-2211	32.5	22.2	28.3	18.7	15.2	11.1	