

General Description

The 'i-switch' die cast range provides the user with a product that will withstand a good deal of rough treatment. With sealing up to IP66 these assemblies can be placed in environments where resistance to impacts, moisture and dust/dirt are a concern. The option to add a selection of auxiliary blocks providing additional contacts and a choice of Neutral assemblies increases the flexibility of the product range.



Size A & Size B enclosures as Switch-Disconnectors in both Red & Grey



20A Changeover Switch-Disconnecter in a size A enclosure

Catalogue Numbers

Switch-Disconnectors (O-I)

Rating	Format	Interior Switch product range	Catalogue Nos.		Enclosure Size
			Grey	Red	
20A	6P	GX20	SDDG206	SDDR206	A (IP66)
	6P+2EB Aux	GX20	SDDG206EB	SDDR206EB	
25A	2P	CS25	SDDG252	SDDR252	A (IP66)
	3P	CS25	SDDG253	SDDR253	
	3P+NL	CS25	SDDG253NL	SDDR253NL	
	3P+N	CS25	SDDG253N	SDDR253N	
32A	3P+2EB Aux	CS25	SDDG253EB	SDDR253EB	A (IP66)
	2P	CS32	SDDG322	SDDR322	
	3P	CS32	SDDG323	SDDR323	
	3P+NL	CS32	SDDG323NL	SDDR323NL	
40A	3P+N	CS32	SDDG323N	SDDR323N	B (IP66)
	3P+2EB Aux	CS32	SDDG323EB	SDDR323EB	
	2P	CS40R	SDDG402	SDDR402	
	3P	CS40R	SDDG403	SDDR403	
	3P+NL	CS40R	SDDG403NL	SDDR403NL	
	3P+N	CS40R	SDDG403N	SDDR403N	
	3P+2EB Aux	CS40R	SDDG403EB	SDDR403EB	
63A	6P	GX40	SDDG406	SDDR406	B (IP66)
	6P+2EB Aux	GX40	SDDG406EB	SDDR406EB	
	2P	CS63	SDDG632	SDDR632	
	3P	CS63	SDDG633	SDDR633	
	3P+NL	CS63	SDDG633NL	SDDR633NL	
	3P+N	CS63	SDDG633N	SDDR633N	
80A	3P+2EB Aux	CS63	SDDG633EB	SDDR633EB	B (IP66)
	6P	CS63	SDDG636	SDDR636	
	6P+2EB Aux	CS63	SDDG636EB	SDDR636EB	
	3P	CS80	SDDG803	SDDR803	
80A	3P+NL	CS80	SDDG803NL	SDDR803NL	B (IP66)
	3P+N	CS80	SDDG803N	SDDR803N	

'N' = switched neutral (Early make, late break)
'NL' = Unswitched neutral

C/O Switch-Disconnectors (I-O-II)

Rating	Format	Interior Switch product range	Cat. No.	Enclosure Size
20A	2P	GX20	SCODDG202	A (IP66)
	3P	GX20	SCODDG203	
	4P	GX20	SCODDG204	
40A	2P	GX40	SCODDG402	B (IP66)
	3P	GX40	SCODDG403	
	4P	GX40	SCODDG404	

Accessories (applicable to type 'CS' interiors only)

Description	Cat. No.
Auxiliary Contact - 2 Early Break	SAUX2EB
Auxiliary Contact - 1 N/O + 1 N/C	SAUXCO
25A Neutral (Unswitched)	SNL25
32A & 40A Neutral (Unswitched)	SNL40
63A Neutral (Unswitched)	SNL63
80A Neutral (Unswitched)	SNL80
25A Neutral (Switched)	SSP25
32A & 40A Neutral (Switched)	SSP40
63A Neutral (Switched)	SSP63
80A Neutral (Switched)	SSP80

Safety Features

Screwed lid enclosures have always been open to abuse by having the lid removable when the isolator is 'Off' and padlocked. This would allow the switch shaft to be turned manually to the 'On' position, thus defeating the safety padlocking feature.

The 'i-switch' range now incorporates a mechanical interlock which when a padlock is inserted prevents the enclosure lid from being removed.



Design Features

Enclosure

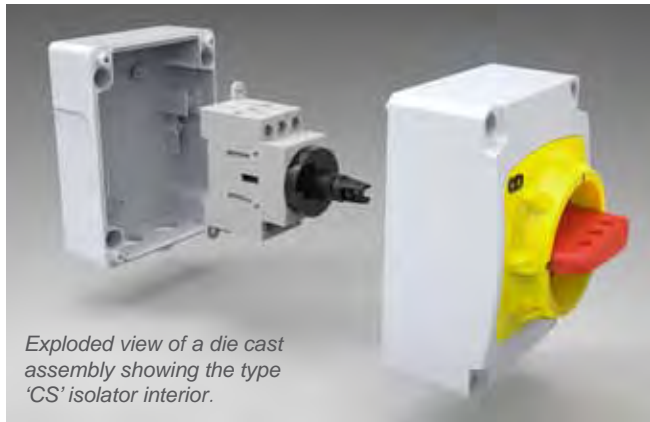
Material	Die cast aluminium alloy LM24 (BS1490)
Paint finish	Grey - RAL 7035 Red - RAL 3020.
Entries	Included with std. catalogue No:- Size A - 2xM20 on bottom face. Size B - 40A & 63A:- 2xM25 + 1xM20 on bottom face. 80A:- 2xM32 + 1xM20 on bottom face. Maximum number of possible entries:- Size A - 4 (2 Top+2 Bottom). Size B - 6 (3 Top+3 Bottom).
Cover Screws	Stainless Steel (Captive)
Earthing	Terminals are provided on both lid and base to allow full earth continuity to be maintained.
Mounting	All fixings are internal but outside of the IP66 sealed area. Guide channels are provided to assist with the fixing screw location.

Switch-Disconnectors

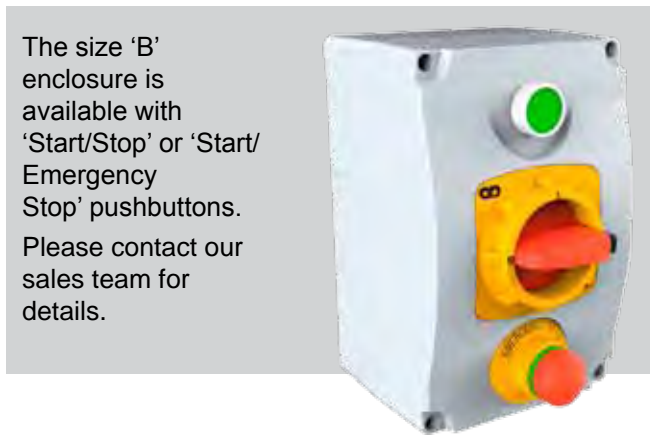
2, 3 & 6 Pole	Type CS - base mounted. (Accepts add-on Aux. blocks & Neutrals, see page 13 for ratings)
6 Pole	Type GX - base mounted. (also available with 2 E/B Aux.)

Changeover Switch-Disconnectors

2, 3 & 4 Pole	Type GX - base mounted.
---------------	--------------------------------



Exploded view of a die cast assembly showing the type 'CS' isolator interior.



The size 'B' enclosure is available with 'Start/Stop' or 'Start/Emergency Stop' pushbuttons. Please contact our sales team for details.

Craig & Derricott are the market leaders in die cast enclosed isolation equipment

...products for the real world



Technical Data (For pages 5-12)

Data supplied against tests to IEC/BS EN 60947-3

Application	Sym.	Unit	Category	Rating							
				20A	25A	32A	40A	63A	80A	100A	
Switch product range	-	-		GX20	CS25	CS32	GX40	CS40R	CS63	CS80	CS100
Rated thermal current	I_{the}	A		20	25	32	40	40	63	80	100
Rated insulation voltage	U_i	V		690	690	690	690	690	690	690	1000
Rated impulse voltage	U_{imp}	kV		6	6	6	6	6	6	6	8.0
Rated operational power(3 phase AC)		kW	380/440 - AC23	7.5	11	15	18.5	15	25	30	59
			500V - AC23	7.5	15	15	15	15	30	37	63
			690V - AC23	7.5	15	15	15	15	30	30	51
Rated short time withstand current (1 sec)	I_{cw}	A		250	500	600	800	600	1300	1400	2600
Max. fuse size for short circuit protection (gG Characteristic)		kA	10kA	20	35	35	40	40	80	80	160
			25kA	16	32	32	35	32	63	63	160
			50kA	-	32	32	-	32	63	63	160
Recommended connecting capacity		-	Terminal type								
		mm ²	Flexible cable	2.5 x 2	6	6	6 x 2	6	16	16	50
		mm ²	Rigid cable	2.5 x 2	10	10	10 x 2	10	25	25	70
		Nm	Tightening torque	1.0	1.2	1.2	1.0	1.2	1.2	1.2	2

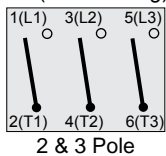
Auxiliary Contacts

Data supplied against tests to IEC/BS EN 60947-5-1

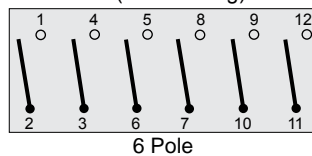
Application	Category	Sym.	Unit	Rating
Rated insulation voltage	-	U_i	V	690
Rated thermal current	-	I_{th}	A	10
Rated operational current (AC15)	110V	I_e	A	8
	220-240V			8
	380-400V			3
	660-690V			1
Max. conductor size	-	-	mm ²	1.5
Tightening torque	-	-	Nm	0.6

Terminal Markings

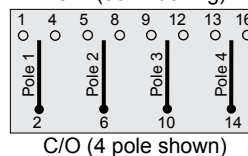
O-I (90° indexing)



O-I (90° indexing)



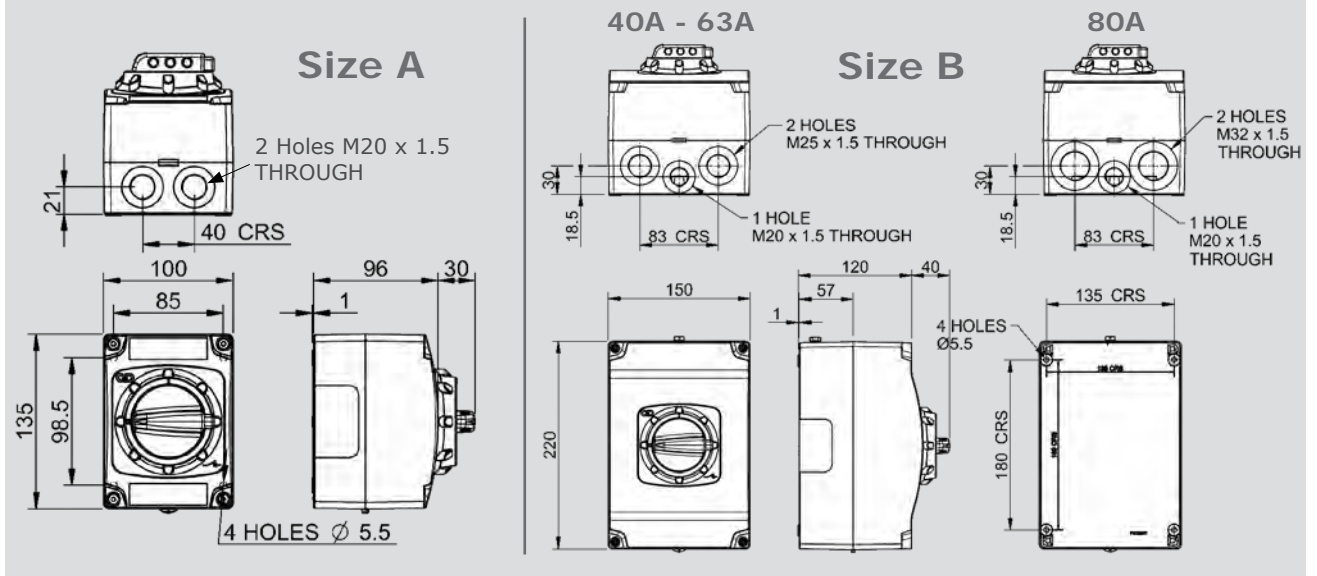
I-O-II (90° indexing)



...products for the real world



Die Cast Enclosures



Flush Enclosures

