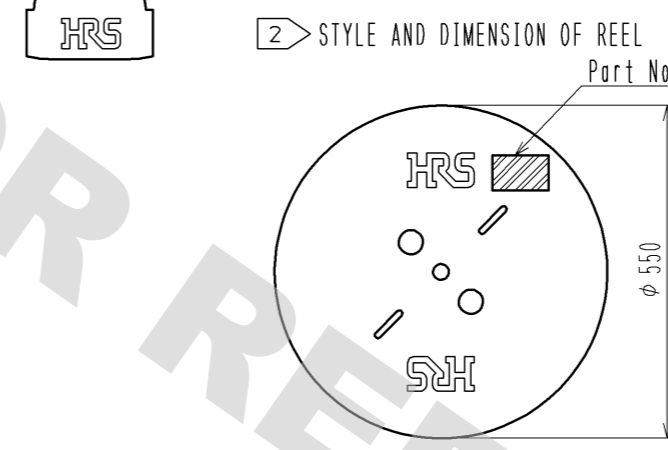
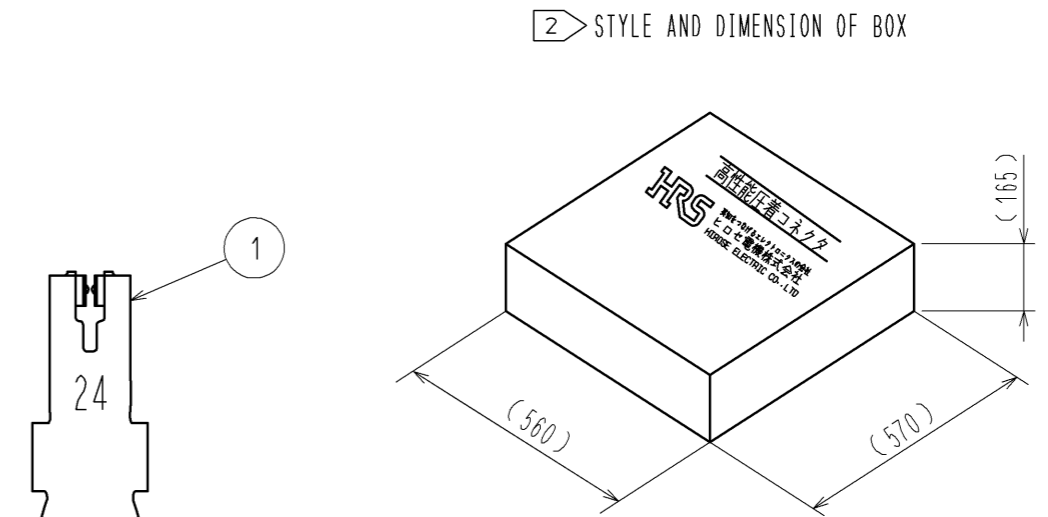
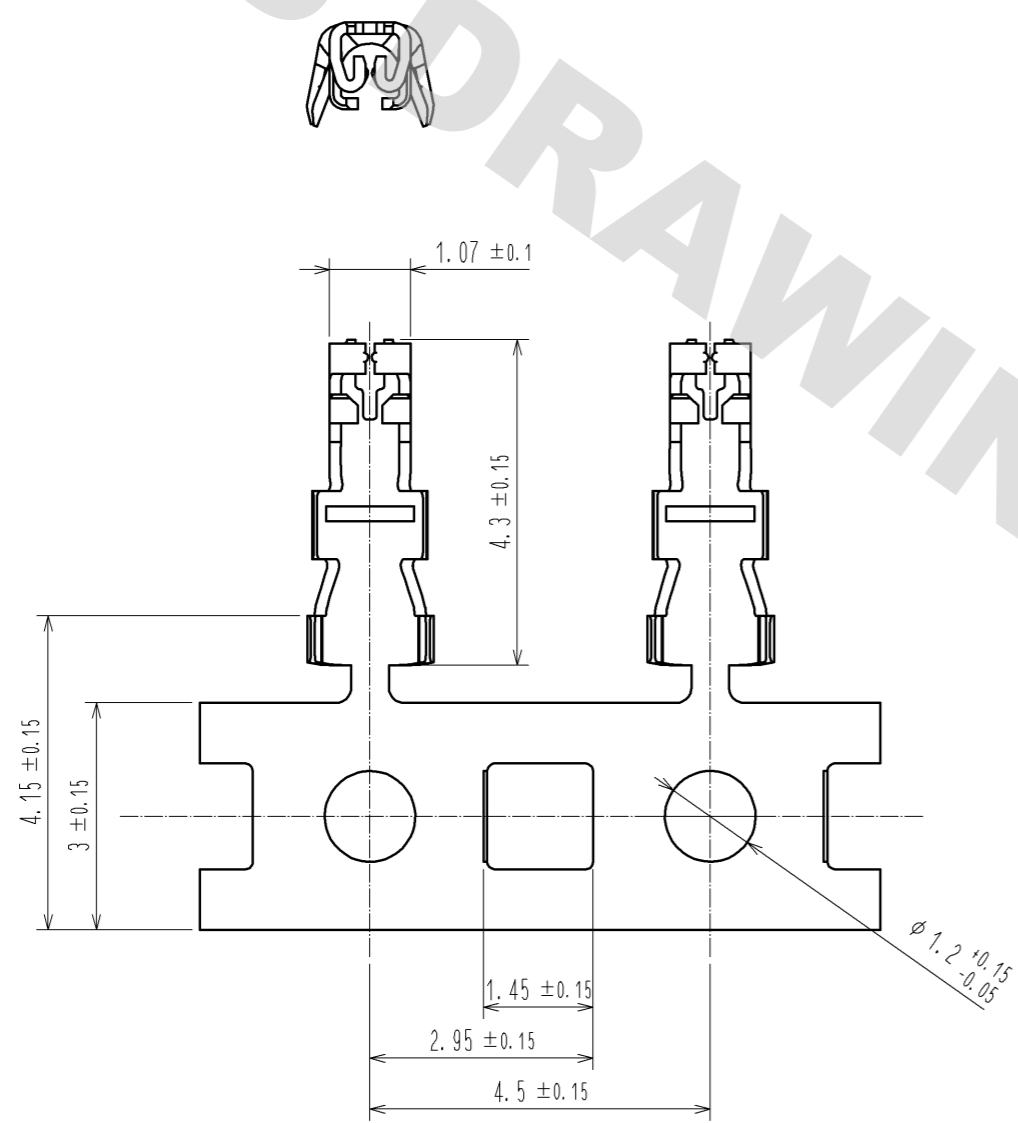


DRAWING FOR REFERENCE: This is subject to change without notice
12/05/2013



Detail of part No. Label

HRS		検査
品名コード	CL666-6003-2-00	検査
品名	DF65-2428SCF	
数量	18000	
仕様		
LDT No.		
機ざ目		

Section
Lot No.
Specification
Quantity
Part No.
Code No.

- NOTE 1. 1RL:18000 CONTACTS.
 2. STYLE OF REEL AND BOX SHOWS IN FIGURE.
 3. A MAXIMUM OF 5 REELS ARE PACKED UP IN ONE BOX.
 4. PLEASE BE SURE TO CHECK THE FORM OF CRIMPING USING A CABLE. WHEN YOU ADJUST APPLICATOR.

NO.		MATERIAL		FINISH . REMARKS		NO.		MATERIAL		FINISH . REMARKS	
		1		COPPER ALLOY				SURFACE:TIN PLATING 1μmMIN			
UNITS	mm	SCALE	10:1	COUNT	△	DESCRIPTION OF REVISIONS		DESIGNED	CHECKED	DATE	
HRS		HIROSE ELECTRIC CO., LTD.		APPROVED : KI. AKIYAMA		13. 08. 22		DRAWING NO.		EDC3-348409-00	
				CHECKED : OM. MIYAMOTO		13. 08. 21		PART NO.		DF65-2428SCF	
				DESIGNED : TT. OHSAKO		13. 08. 21		CODE NO.		CL666-6003-2-00	
				DRAWN : TT. OHSAKO		13. 08. 21				△ 1/1	