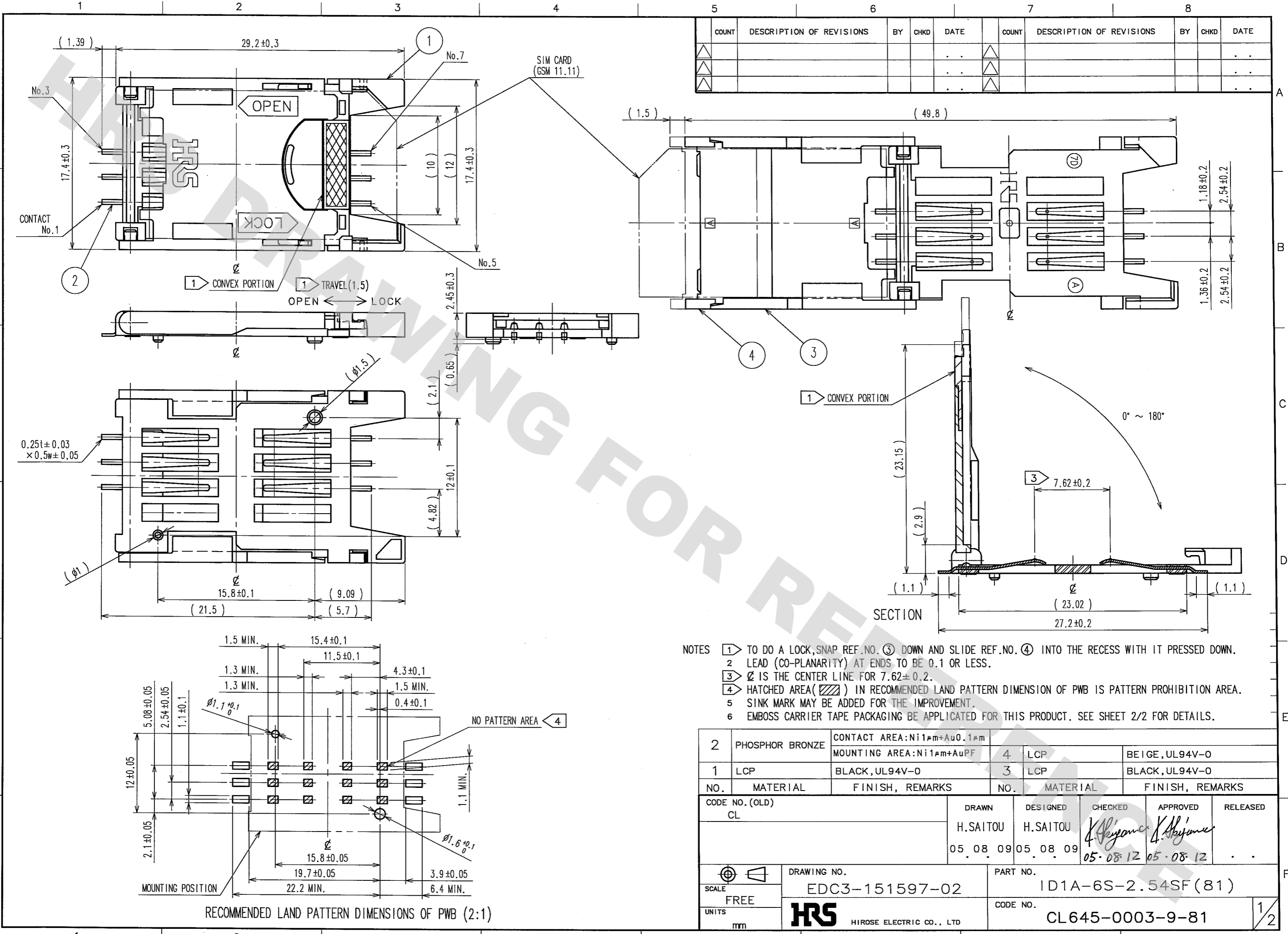


DRAWING FOR REFERENCE: This is subject to change without notice  
08/11/2012



COUNT	DESCRIPTION OF REVISIONS	BY	CHKD	DATE	COUNT	DESCRIPTION OF REVISIONS	BY	CHKD	DATE

- NOTES
- ① TO DO A LOCK, SNAP REF. NO. ③ DOWN AND SLIDE REF. NO. ④ INTO THE RECESS WITH IT PRESSED DOWN.
  - ② LEAD (CO-PLANARITY) AT ENDS TO BE 0.1 OR LESS.
  - ③  $\varnothing$  IS THE CENTER LINE FOR  $7.62 \pm 0.2$ .
  - ④ HATCHED AREA (▨) IN RECOMMENDED LAND PATTERN DIMENSION OF PWB IS PATTERN PROHIBITION AREA.
  - ⑤ SINK MARK MAY BE ADDED FOR THE IMPROVEMENT.
  - ⑥ EMBOSS CARRIER TAPE PACKAGING BE APPLICATED FOR THIS PRODUCT. SEE SHEET 2/2 FOR DETAILS.

2	PHOSPHOR BRONZE	CONTACT AREA: Ni1 $\mu$ m+Au0.1 $\mu$ m MOUNTING AREA: Ni1 $\mu$ m+AuPF	4	LCP	BEIGE, UL94V-0
1	LCP	BLACK, UL94V-0	3	LCP	BLACK, UL94V-0
NO.	MATERIAL	FINISH, REMARKS	NO.	MATERIAL	FINISH, REMARKS

CODE NO. (OLD)	DRAWN	DESIGNED	CHECKED	APPROVED	RELEASED
CL	H. SAITOU	H. SAITOU	<i>K. Hayama</i>	<i>K. Hayama</i>	
	05.08.09	05.08.09	05.08.12	05.08.12	

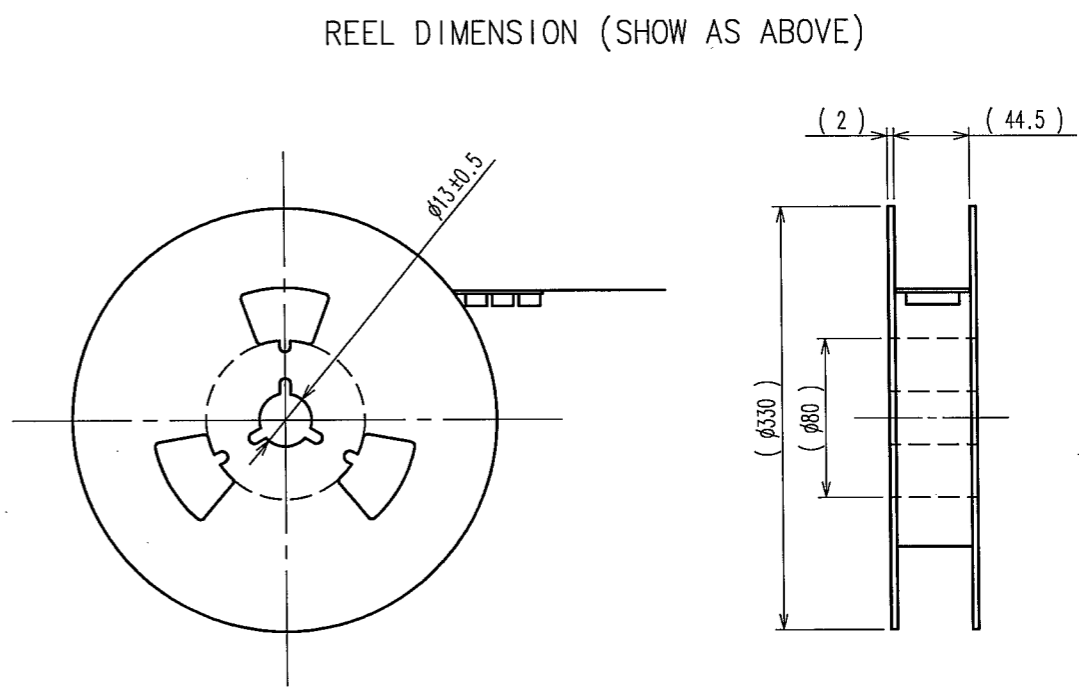
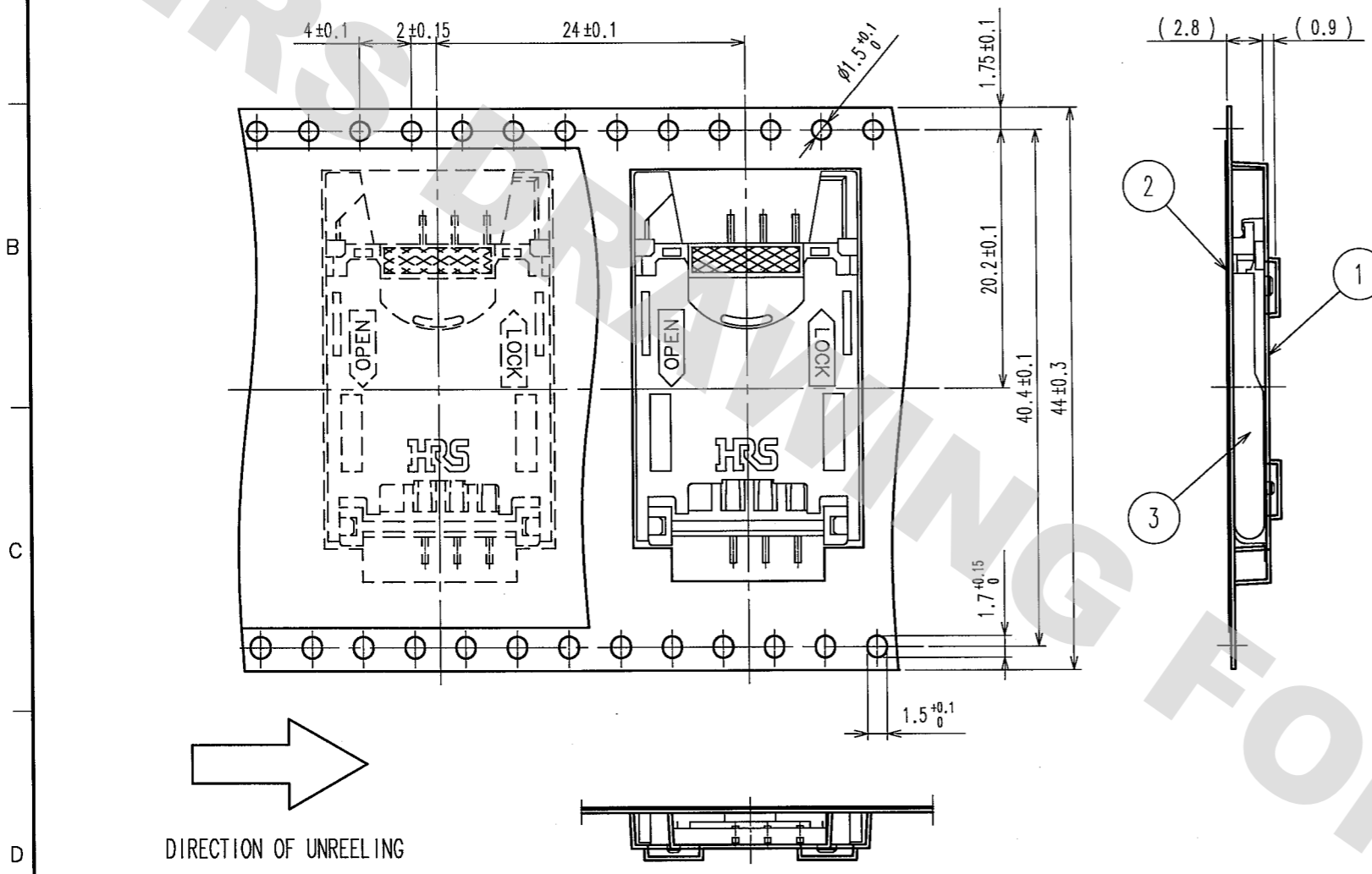
SCALE	DRAWING NO.	PART NO.
FREE	EDC3-151597-02	ID1A-6S-2.54SF(81)
UNITS	HIROSE ELECTRIC CO., LTD	CODE NO.
mm		CL645-0003-9-81

TO  
PCK

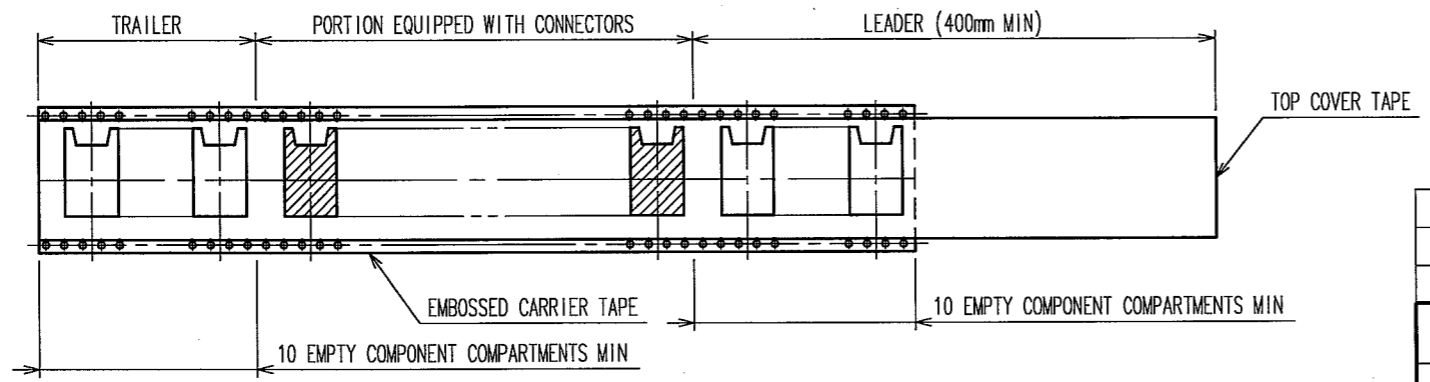
RECOMMENDED LAND PATTERN DIMENSIONS OF PWB (2:1)

DRAWING FOR REFERENCE: This is subject to change without notice  
08/11/2012

COUNT	DESCRIPTION OF REVISIONS	BY	CHKD	DATE	COUNT	DESCRIPTION OF REVISIONS	BY	CHKD	DATE



→  
DIRECTION OF UNREELING



NOTES 1 THE DIMENSION IN PARENTHESES ARE FOR REFERENCE.  
2 1REEL : 500 SOCKETS.

2	POLYESTER		3	(SOCKET)	
1	PS				
NO.	MATERIAL	FINISH, REMARKS	NO.	MATERIAL	FINISH, REMARKS
CODE NO. (OLD)	CL		DRAWN	DESIGNED	CHECKED
			H.SAITOU	H.SAITOU	<i>K. Hayama</i>
DRAWING FOR PACKING			05.08.09	05.08.09	05.08.12
DRAWING NO.			PART NO.		
EDC3-151597-02			ID1A-6S-2.54SF(81)		
SCALE			CODE NO.		
FREE			CL645-0003-9-81		
UNITS			2		
mm			HRS HIROSE ELECTRIC CO., LTD		

TO  
PCK