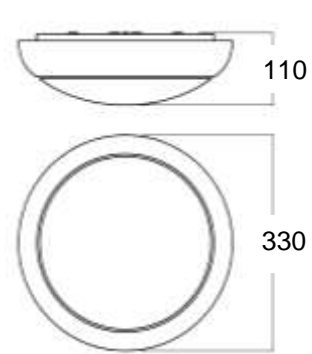


## Data Specification Sheet



### TPB14SLED & TPB14EMSLED 14W Round IP44 LED Luminaires c/w Microwave Sensor

<b>ML Accessories Code</b>	<b>TPB14SLED. TPB14EMSLED</b>
<b>Description</b>	<b>TPB14SLED</b> 14Watt LED luminaire opal diffuser with white trim as standard. c/w microwave sensor <b>TPB14EMSLED</b> 14Watt LED luminaire opal diffuser with white trim as standard. c/w microwave sensor & 3 hour emergency
<b>Optional Trim Finishes available</b>	<b>TPB33BRG</b> – Brass. <b>TPB33CHRG</b> – Chrome. <b>TPB33MSRG</b> – Matt Silver
<b>Overall dimensions (mm)</b>	(H)110mm (D)330mm
<b>Product Weight</b>	1.55Kg - <b>TPB14SLED</b> 1.85Kg - <b>TPB14EMSLED</b>
<b>Recommended product location</b>	Indoor or Outdoor
<b>Lamp Supplied</b>	Yes 14W SMD LED Colour 6000K 1200Lm
<b>Voltage (V)</b>	230V 50Hz
<b>Running current (I)</b>	0.07Amps <b>TPB14SLED</b> 0.6Amps <b>TPB14EMSLED</b>
<b>Dimmable</b>	No
<b>Class</b>	Class I Must be Earthed
<b>IP</b>	IP44
<b>Distance from lighted object</b>	0.5m
<b>Photometric Testing</b>	Yes
<b>Instruction sheet</b>	Yes
<b>Origin of manufacture</b>	China
<b>Main materials:</b>	
• <b>Chassis</b>	Powder Coated Pressed Steel
• <b>Body</b>	Polycarbonate
• <b>Diffuser</b>	Polycarbonate
<b>Method of fix</b>	Direct fixing – Screws provided
<b>Lamp type and base</b>	Replaceable LED 14W - GR10-q
<b>Electrical Connections</b>	Nylon Connector, Screw Terminals + Slave connection
<b>Running Gear / Make</b>	Knightsbridge LED Driver Operating Temperature - 20 <sup>o</sup> C to +35 <sup>o</sup> C EM Version: Integral H.F. 3 hour Maintained
<b>MSENSOR</b>	360 <sup>o</sup> Surface Microwave Sensor
<b>Overall dimensions (mm)</b>	Depth 40mm. Length 92mm width 42mm
<b>Operating Type</b>	Microwave Motion Sensor
<b>Maximum Lamp Wattage (W)</b>	1000Watt Incandescent or 500W Fluorescent
<b>Operating Light Levels</b>	User Adjustable 2 – 2000lux
<b>Operating Time Levels</b>	User adjustable Min - 3 Seconds Max – 4 Minutes
<b>Detection Range</b>	2 - 8 metres
<b>Detection Angle</b>	360 <sup>o</sup>
<b>CE mark</b>	Yes
<b>Quality Assurance System</b>	Yes ISO 9001 QMS
<b>Batch coding details on product</b>	Yes
<b>Certificate of Conformity</b>	Yes
<b>Manufactured in accordance</b>	BSEN60598
<b>Warranty</b>	3 year
<b>EAN</b>	<b>TPB14SLED</b> – 5055559190127 <b>TPB14EMSLED</b> - 5055559190103