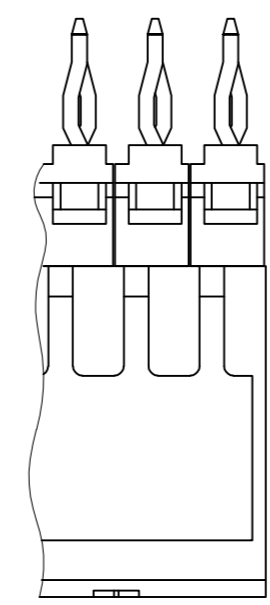
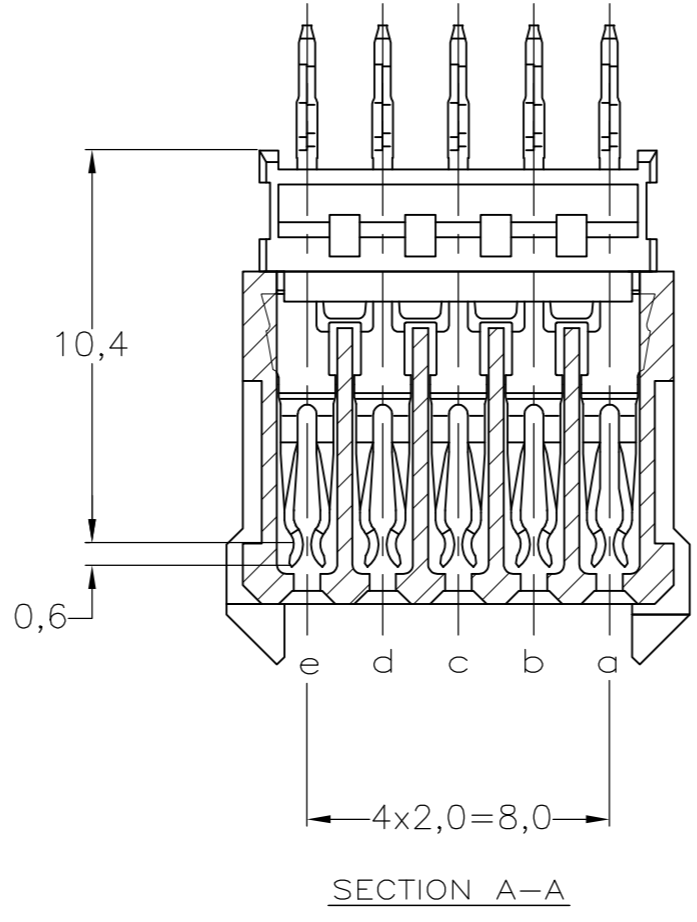
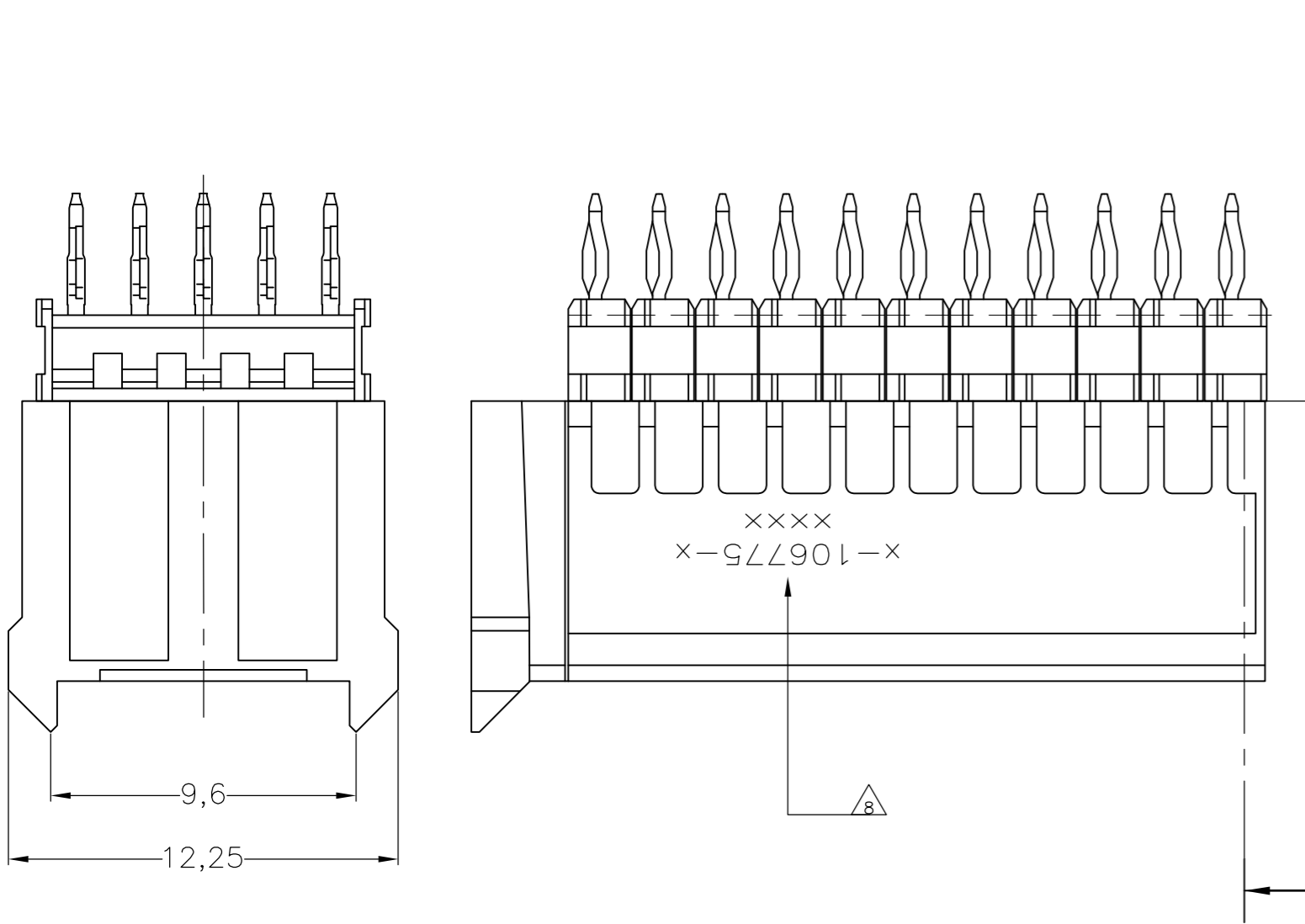
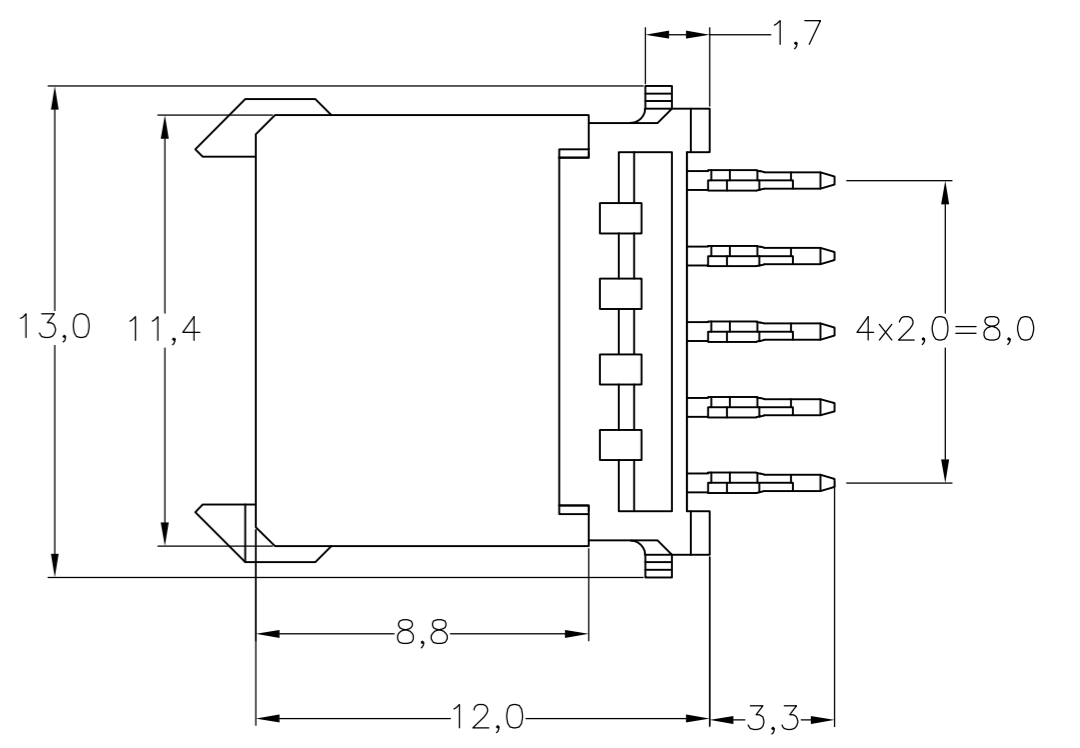
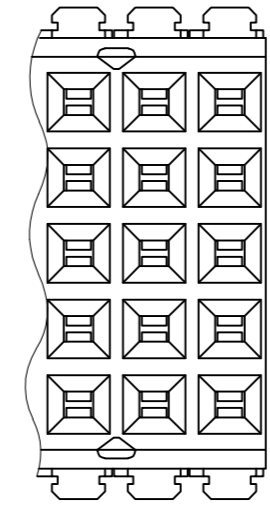
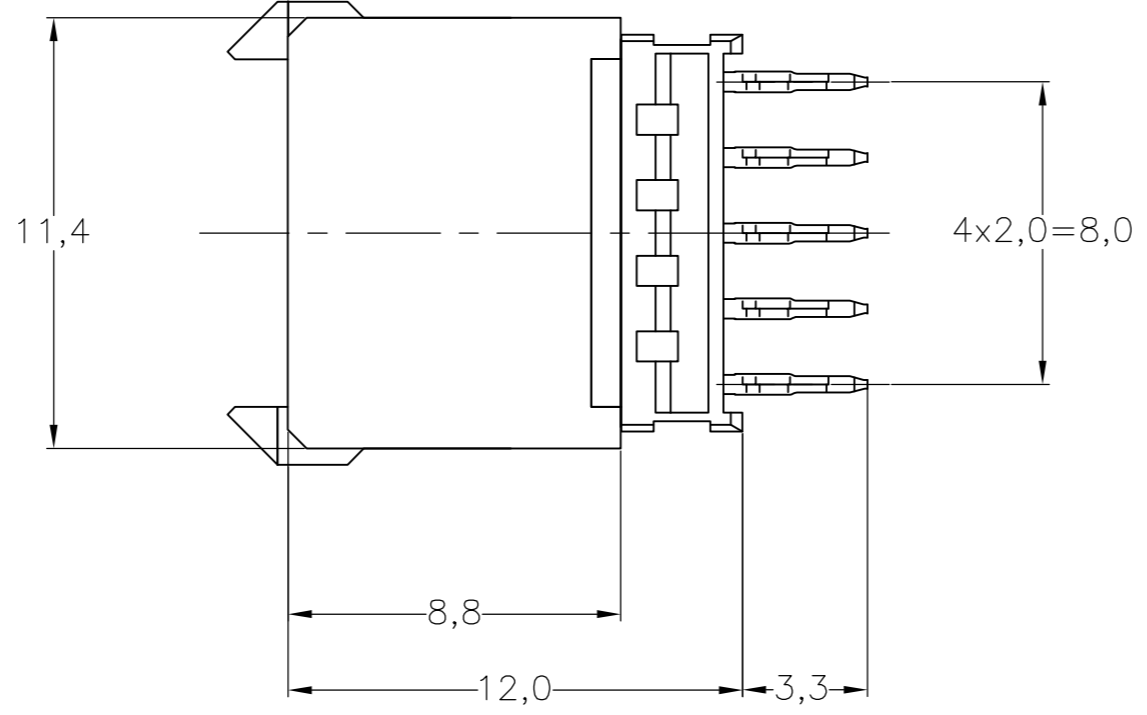
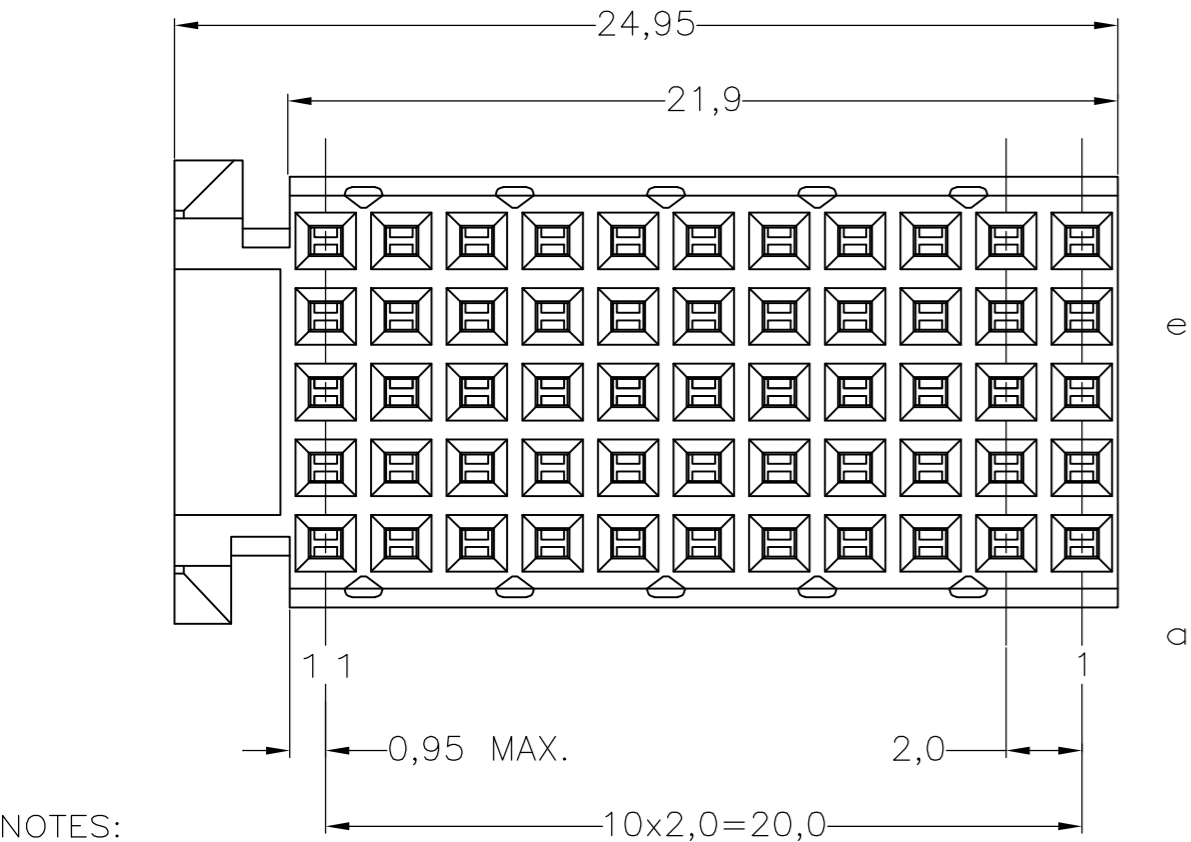


THIS DRAWING IS UNPUBLISHED. RELEASED FOR PUBLICATION  
 © COPYRIGHT - By - ALL RIGHTS RESERVED.

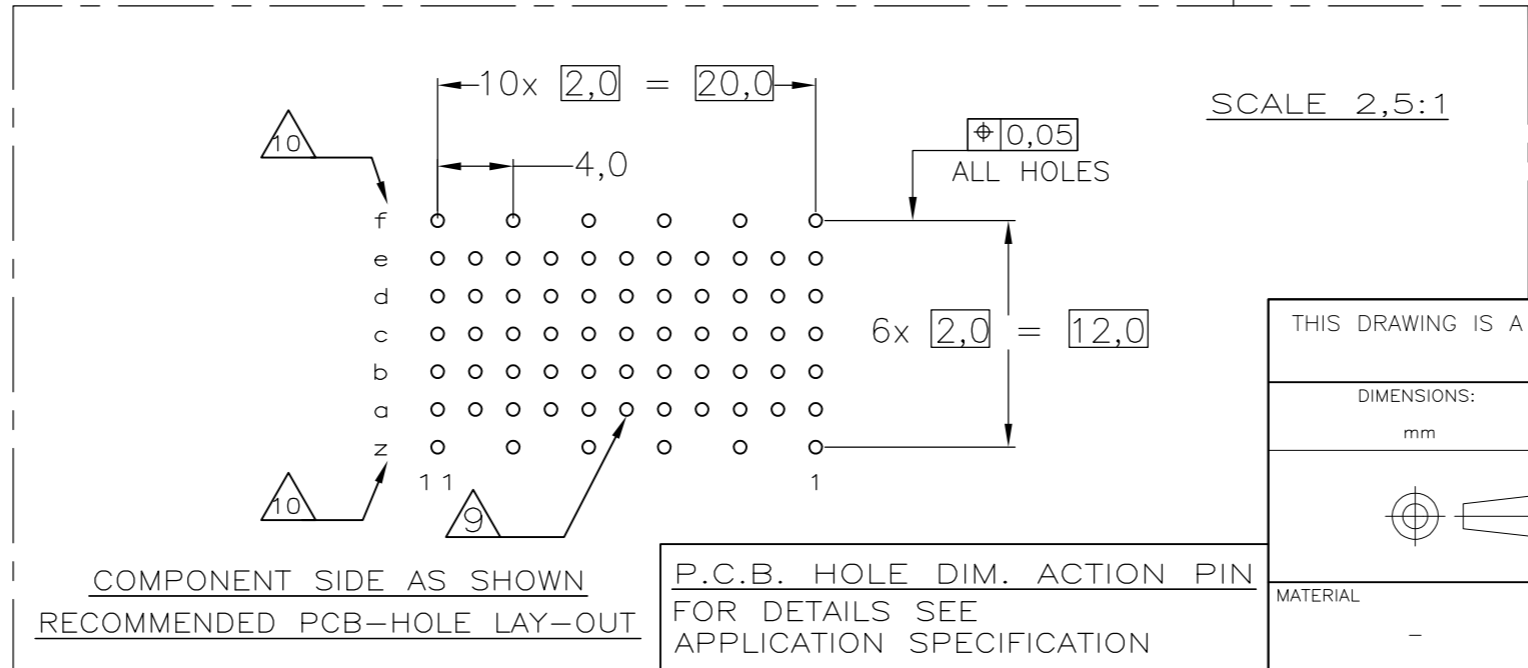
LOC		DIST		REVISIONS			
P	LTR	DESCRIPTION	DATE	DWN	APVD		
M1		REVISED PER ECO-11-005033	29MAR11	RK	HMR		



ALTERNATE FORM



- NOTES:
- 1 MATERIAL CONTACT: PHOSPHORBRONZE  
MATERIAL HOUSING: GLASSFILLED POLYESTER  
UL-RATING 94VO (GRAY)
  - 2 GENERAL PLATING SPECIFICATION: UNDERPLATING (ENTIRE CONTACT): 1,27µm NICKEL MIN. AND ACTION PIN: 0,5µm TIN-LEAD MIN.  
FOR PLATING OF MATING SURFACES SEE APPLICABLE SPECIFICATION REFERENCE FOR EACH DASH NUMBER.
  - 3 CONFORMS TO ALL TESTING ACCORDING IEC 61076-4-101 PERFORMANCE LEVEL 2.
  - 4 CONFORMS TO ALL TESTING ACCORDING IEC 61076-4-101 PERFORMANCE LEVEL 1.
  - 5 CONNECTOR TESTED AND QUALIFIED AGAINST TELCORDIA GR-1217-CORE QUALITY LEVEL III, CENTRAL OFFICE APPLICATIONS.
  - 6 CONNECTOR TESTED AND QUALIFIED AGAINST TELCORDIA GR-1217-CORE QUALITY LEVEL III, UNCONTROLLED ENVIRONMENT APPLICATIONS.
  - 7 CONNECTOR LUBRICATED WITH TELCORDIA APPROVED LUBRICANT.
  - 8 CONNECTOR PRINTED WITH PARTNUMBER AND DATECODE.
  - 9 PLATED-THROUGH HOLES AT 2x2mm SQUARE GRID (55 HOLES).
  - 10 HOLES IN ROW f AND z FOR POSSIBLE FUTURE USE OF GROUND RETURN SHIELD. (SHIELDS NOT YET TOOLED)
  - 11 0.76µm MIN COLD PLATING AT MATING SURFACES



THIS DRAWING IS A CONTROLLED DOCUMENT.

DIMENSIONS:	TOLERANCES UNLESS OTHERWISE SPECIFIED:
mm	
	6-PLC ±
	1-PLC ±
	2-PLC ±
	3-PLC ±
	4-PLC ±
	ANGLES ±
MATERIAL	FINISH
-	-

FINISH	MATERIAL	PARTNUMBER
2 3 1	1	3-106775-1
2 6 1	1	1-106775-9
2 5 1	1	106775-9
2 4 1	1	106775-4
2 3 1	1	106775-1

DWN L.V.D.HEIJDEN 14APR97		TE Connectivity	
CHK D.TRUREN 14APR97		Z-PACK 2MM HM TYPE C	
APVD F.V.KONINGSBRUGGE		55 POS. VERTICAL FEMALE	
PRODUCT SPEC 108-19082		CONNECTOR ASSEMBLY	
APPLICATION SPEC 114-19029		SIZE A2	RESTRICTED TO -
WEIGHT -		CAGE CODE 00779	DRAWING NO C=106775
CUSTOMER DRAWING		SCALE NTS	SHEET 1 OF 1
			REV M1