

10078991-GXX-XXULF

PLATING
 0.76 μm GXT (Pd Ni with gold flash)
 over 1.27 μm Nickel underplate

TAIL LENGTH

STYLE	DIM B
2	2.5
3	3.1

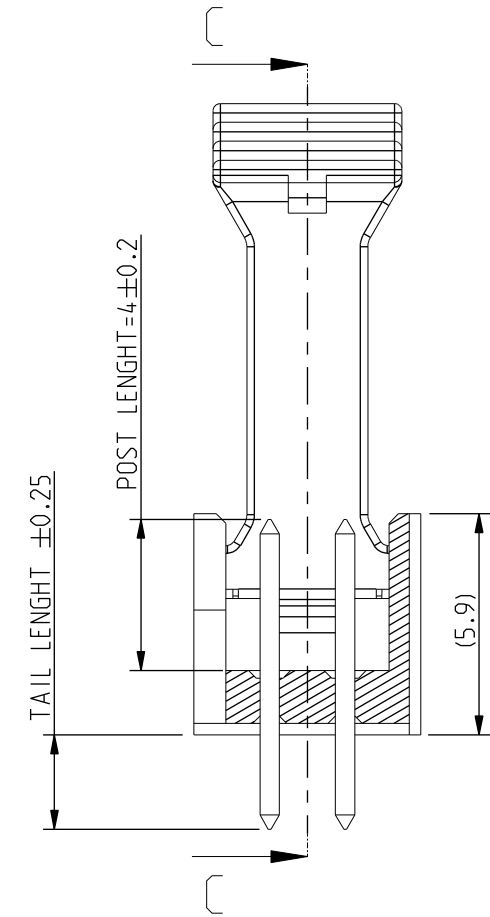
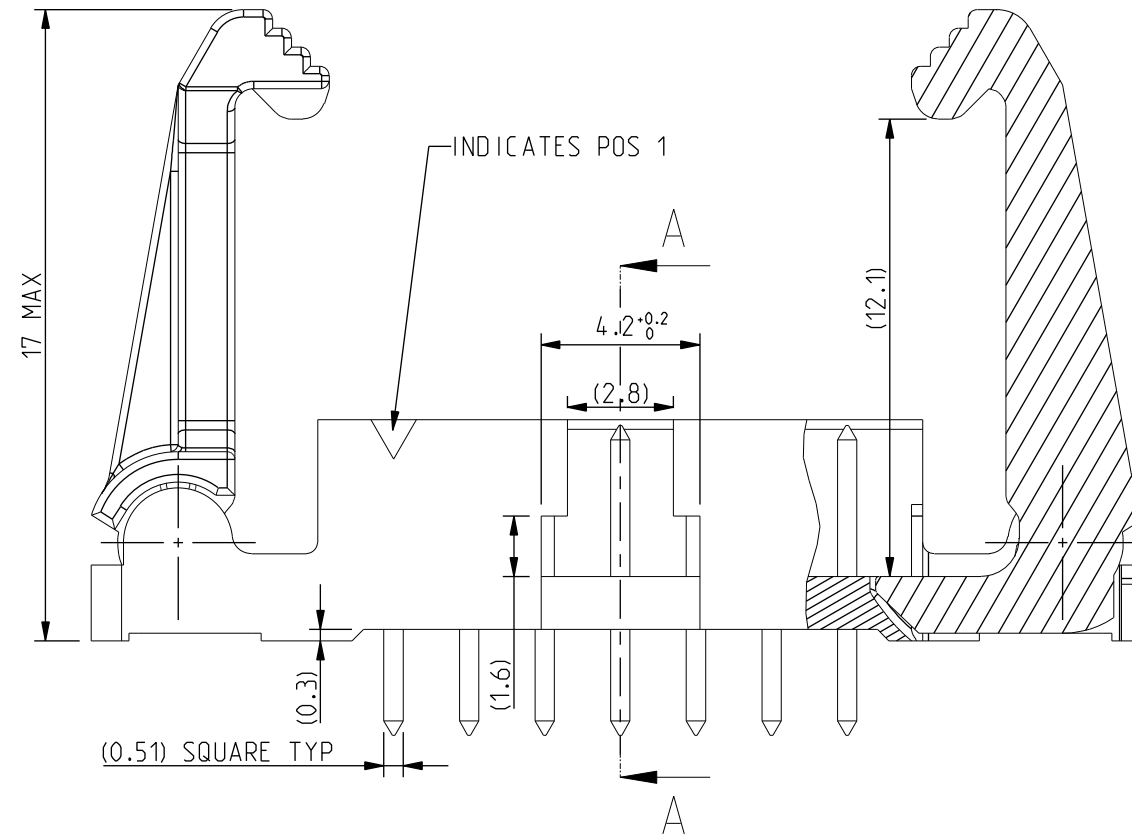
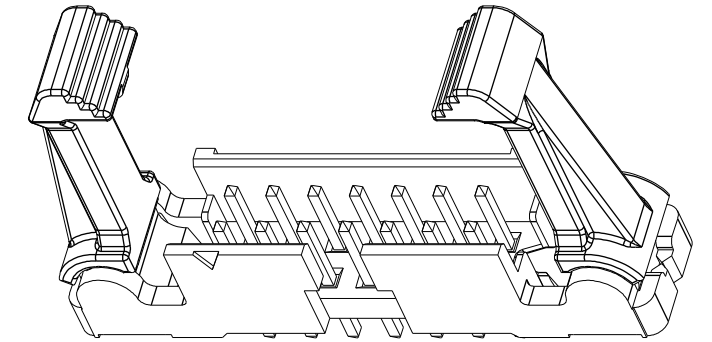
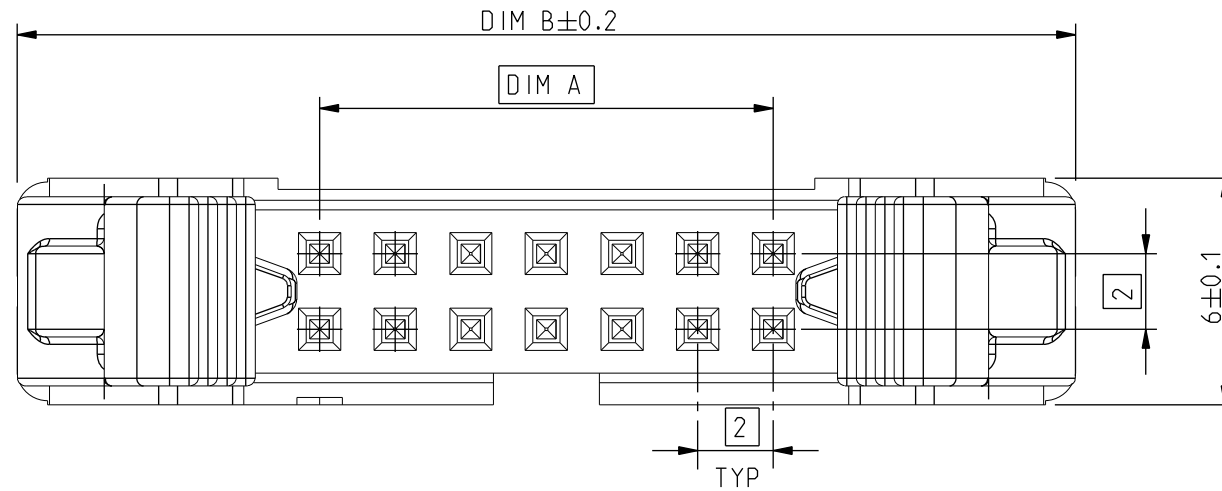
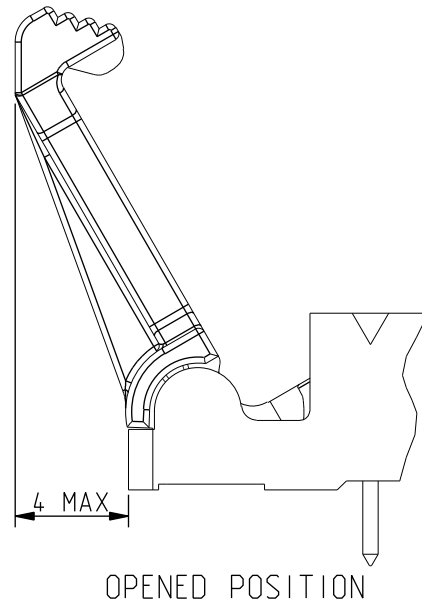
LATCH TYPE :

- 1 = STANDARD : For use with STRAIN-RELIEF 10073978
- 2 = LOW PROFILE : For use without STRAIN-RELIEF

SIZE : TOTAL NB OF POSITIONS
 SEE SHEET 2

PACKAGING, SEE NOTE 4

SUFFIX LETTER "LF" INDICATES
 THE PRODUCT IS RoHS
 COMPATIBLE, SEE NOTE 5.



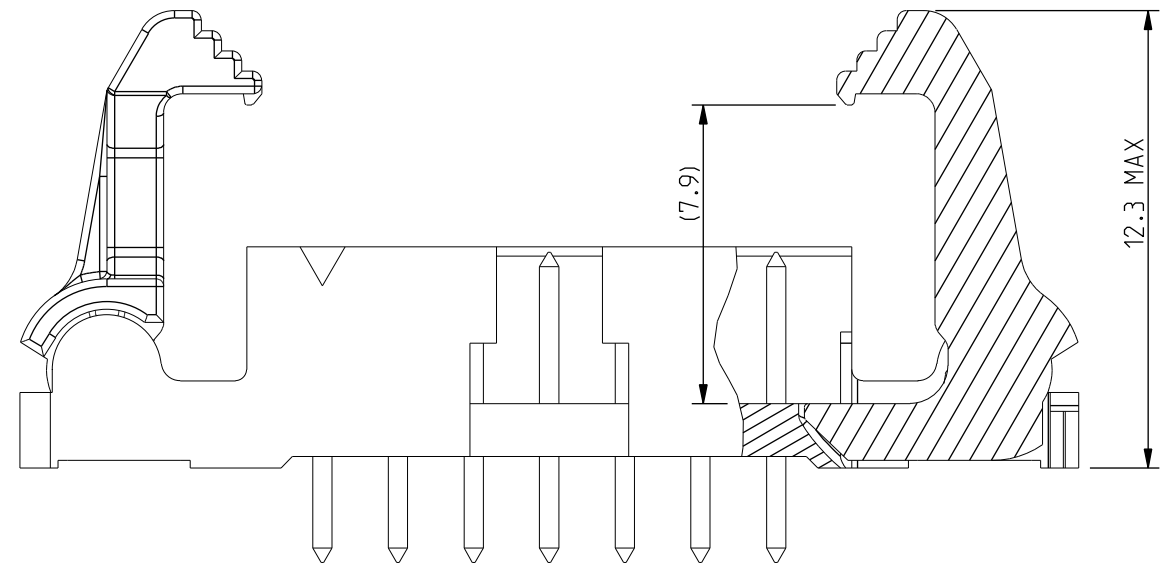
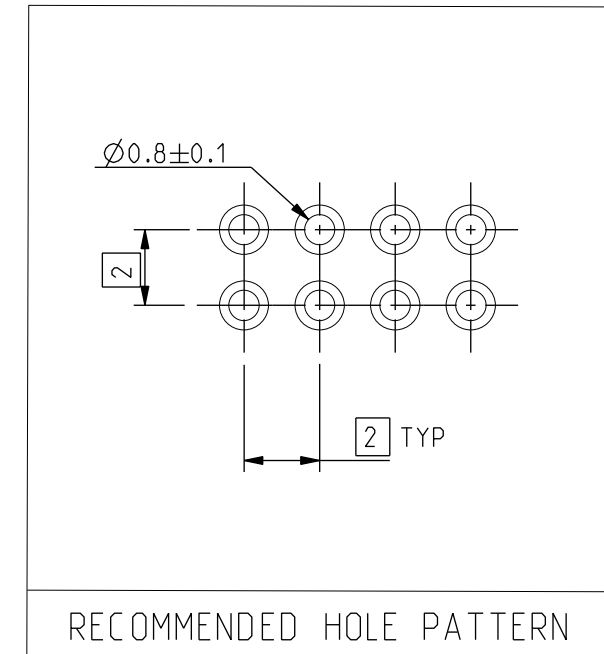
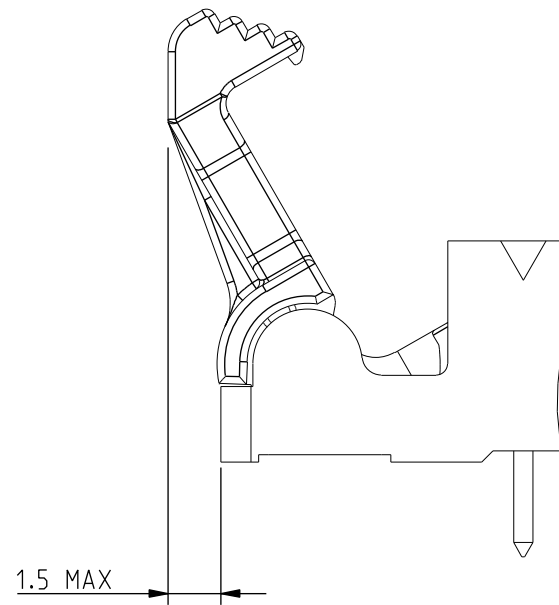
NOTES :

- MATERIAL HOUSING : HIGH TEMPERATURE THERMOPLASTIC UL 94 V0, COLOR CREAM.
 - MATERIAL LATCH : HIGH TEMPERATURE THERMOPLASTIC UL 94 V0, COLOR BLACK.
- MATERIAL TERMINAL : COPPER ALLOY
- PIN RETENTION IN EITHER DIRECTION : 7N MIN
- PACKAGING
 U= TUBE WITHOUT PICK UP CAP .
- ROHS COMPATIBLE PRODUCT SPECIFICATIONS :
 a- PLATING :
 "LF" MEANS THE PRODUCT IS LEAD FREE
 2 μm MINIMUM MATTE TIN OVER 1.27 μm NICKEL UNDERPLATE
 b- MANUFACTURING PROCESS COMPATIBILITY
 THE HOUSING WILL WITHSTAND EXPOSURE TO 260 °C ± 5 °C SOLDER BATH TEMPERATURE FOR 5 SECONDS IN A WAVE SOLDER APPLICATION WITH A 1.6mm THICK CIRCUIT BOARD.
 c- LABELLING
 MEETS PACKAGING SPECS AS PER GS-14-920.
 d- THIS PRODUCT MEETS EUROPEAN DIRECTIVES AND OTHER CONTRY REGULATION AS DESCRIBED IN GS-22-008.

rev	ecn no	dr	date
A	F08-0110	LSA	08-01-16
B	F08-0249	LMU	08.12.01
-	-	-	-
-	-	-	-
-	-	-	-
-	-	-	-

www.fciconnect.com			surface ISO 1302	tolerance std ISO 406 ISO 1101	projection mm		
			TOLERANCES UNLESS OTHERWISE SPECIFIED				
Dr	NEBU PM	07-06-19	ANGULAR	0.X	±/	size A3	Scale 5:1
Eng	JM COMPAGNON	07-06-19		LINEAR	0.XX		
Chr	JM COMPAGNON	07-06-19	0° ±/°	0.XXX	±/	ECN	F08-0110
Appr	L. SAILLARD	07-06-19	Product family		- Spec ref		-
FCI			title EJECT LATCH HEADER VERTICAL TMT		dwg no 10078991		Rev. B
			catalog no		CUSTOMER STATUS: Released		sheet 1 of 2 Printed: Dec 10, 2008

SIZE	POSITIONS	DIM A	DIM B
06	2x3	4,00	20,00
08	2x4	6,00	22,00
10	2x5	8,00	24,00
12	2x6	10,00	26,00
14	2x7	12,00	28,00
24	2x12	22,00	38,00
30	2x15	28,00	44,00
40	2x20	38,00	54,00
44	2x22	42,00	58,00
50	2x25	48,00	64,00

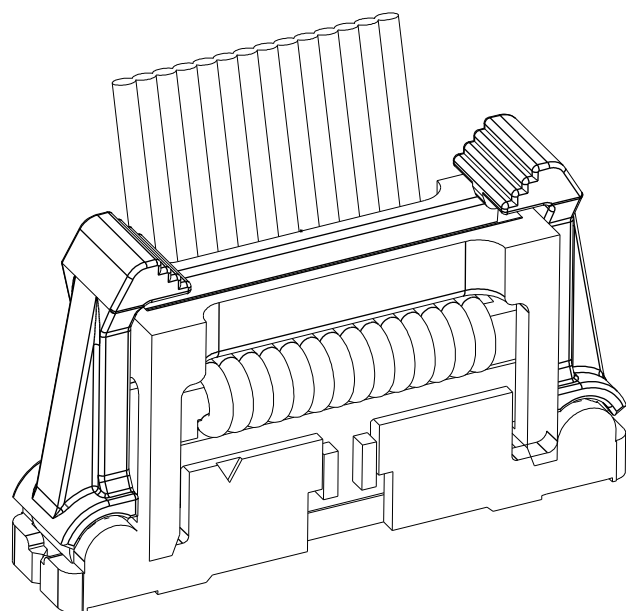


SECTION C-C

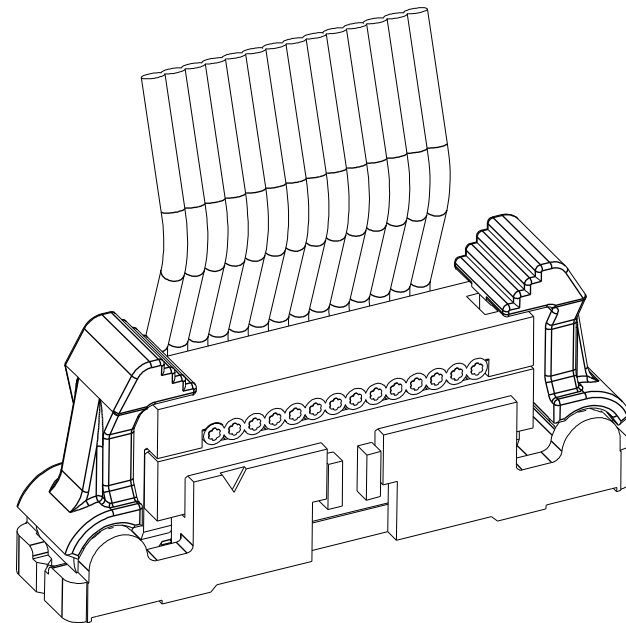
EXAMPLE 10078991-G02-14YLF
LOW PROFILE LATCH

PRODUCT USED IN COMBINATION WITH IDC
RECEPTACLE P/Ns 89361 & 89941

WITH STRAIN-RELIEF ACCESSORY
- STANDARD LATCH -



WITHOUT STRAIN-RELIEF ACCESSORY
- LOW PROFILE LATCH -



www.fciconnect.com			Surface ISO 1302	-	tolerance std ISO 406 ISO 1101	projection ISO 1101	mm	
TOLERANCES UNLESS OTHERWISE SPECIFIED								
Dr	NEBU PM	07-06-19	ANGULAR	LINEAR	0.X	±/	size	
Eng	JM COMPAGNON	07-06-19			0.XX	±/	A3	Scale
Chr	JM COMPAGNON	07-06-19			0.XXX	±/	ECN	F08-0110
Appr	L. SAILLARD	07-06-19	Product family			-	Spec ref	
FCI		title			EJECT LATCH HEADER		dwg no	
					VERTICAL TMT		10078991	
		catalog no					Rev.	
							B	

PDM-Rev:B

CUSTOMER STATUS: Released

sheet 2 of 2
Printed: Dec 10, 2008