

## 8478PID080P62, tyre RAL 5017

EAN 4031582404340

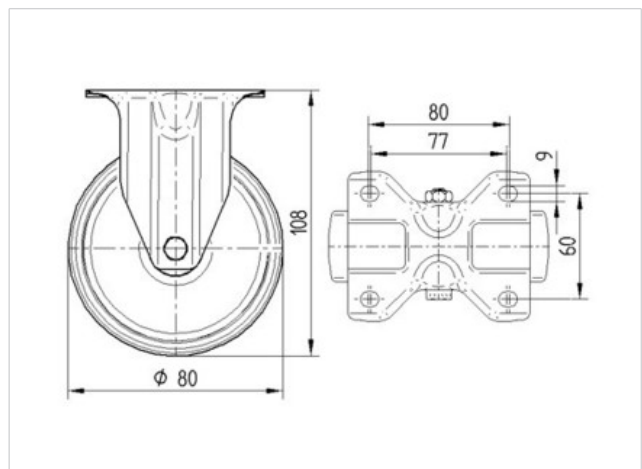
Fixed castor, Fork made of Stainless Steel, wheel axle with nut, plate fitting.

Wheel centre made of Polypropylene, Tread: solid rubber, grey non-marking, roller bearing made of stainless steel

### Technical Data

Wheel diameter	80 mm
Width of Tread	35 mm
Size of Plate	103 x 85 mm
Plate hole centres	80/77 x 60 mm
Plate hole	9 mm
Overall height	108 mm
Temperature	- 20 / + 60 °C
Standard	EN 12532
Weight	0.496 kg
Hardness of tread	A 80 Shore
Load capacity	70 kg
Load capacity (static)	140 kg

Roll performance	+	+	+	+	+
Movement noise	+	+	+	+	+
Attrition	+	+	+	+	+
Corrosion resistance	+	+	+	+	+





**8478PID080P62, tyre RAL 5017**

EAN 4031582404340

