

Resistance thermometer measuring transducer - MINI MCR-SL-PT100-UI-SP-NC - 2864286

Please be informed that the data shown in this PDF Document is generated from our Online Catalog. Please find the complete data in the user's documentation. Our General Terms of Use for Downloads are valid (<http://phoenixcontact.com/download>)



MCR temperature transducer for Pt 100 temperature sensors, configured via DIP switch, with spring-cage connection, not pre-configured

The figure shows version MINI MCR-SL-PT100-UI-NC

Product Description

The 6.2 mm wide MINI MCR-SL-PT100-UI... is a configurable 3-way isolated temperature measuring transducer. It is suitable for the connection of Pt 100 resistance thermometers according to IEC 60751 in 2, 3 and 4-wire connection methods.

On the output side, the analog standard signals 0...20 mA, 4...20 mA, 0...10 V, 0...5 V, 1...5 V, 10...0 V, 20...0 mA or 20...4 mA are available, electrically isolated.

The DIP switches are accessible on the side of the housing and allow the following parameters to be configured:

- Connection method
- Temperature range to be measured
- Output signal as well
- Fault evaluation type

Power (19.2 V DC to 30 V DC) can be supplied through connection terminal blocks on the modules or in conjunction with the DIN rail connector.

Why buy this product

- ✓ Power supply possible via the foot element (TBUS)
- ✓ For 2, 3 or 4-wire Pt 100 sensors according to IEC 60751
- ✓ Error indication via diagnostic LED and analog signal
- ✓ Temperature measuring range of -150°C to +850°C
- ✓ Input and output signals can be configured via DIP switches
- ✓ 3-way isolation
- ✓ Pt 100 signals to create standard signals
- ✓ Highly-compact temperature transducer for electrical isolation, conversion, amplification, and filtering of



Key Commercial Data

Packing unit	1 pc
GTIN	
Weight per Piece (excluding packing)	67.5 g

Resistance thermometer measuring transducer - MINI MCR-SL-PT100-UI-SP-NC - 2864286

Custom tariff number	85437090
Country of origin	Germany

Technical data

Note

Utilization restriction	EMC: class A product, see manufacturer's declaration in the download area
-------------------------	---

Dimensions

Width	6.2 mm
Height	93.1 mm
Depth	102.5 mm

Ambient conditions

Ambient temperature (operation)	-20 °C ... 65 °C
Ambient temperature (storage/transport)	-40 °C ... 85 °C
Degree of protection	IP20

Input data

Configurable/programmable	Yes
Sensor types (RTD) that can be used	Pt 100 (IEC 60751/EN 60751)
Sensor input current	1 mA (constant)
Connection method	2, 3, 4-wire

Output data

Number of outputs	1
Configurable/programmable	Yes, unconfigured
Voltage output signal	0 V ... 10 V
	10 V ... 0 V
	0 V ... 5 V
	1 V ... 5 V
Current output signal	0 mA ... 20 mA
	20 mA ... 0 mA
	20 mA ... 4 mA
	4 mA ... 20 mA
Max. output voltage	approx. 12.5 V
Max. output current	23 mA
Short-circuit current	approx. 10 mA
Load/output load voltage output	≥ 10 kΩ
Load/output load current output	< 500 Ω (at 20 mA)

Power supply

Nominal supply voltage	24 V DC
Supply voltage range	19.2 V DC ... 30 V DC (The DIN rail bus connector (ME 6,2 TBUS-2 1,5/5-ST-3,81 GN, Order No. 2869728) can be used to bridge the

Resistance thermometer measuring transducer - MINI MCR-SL-PT100-UI-SP-NC - 2864286

Technical data

Power supply

	supply voltage. It can be snapped onto a 35 mm DIN rail according to EN 60715))
Max. current consumption	< 21 mA (at 24 V DC)
Power consumption	< 500 mW

Connection data

Connection method	Spring-cage connection
Conductor cross section solid min.	0.2 mm ²
Conductor cross section solid max.	2.5 mm ²
Conductor cross section AWG min.	24
Conductor cross section AWG max.	12
Conductor cross section flexible min.	0.2 mm ²
Conductor cross section flexible max.	2.5 mm ²
Stripping length	8 mm

General

No. of channels	1
Maximum temperature coefficient	< 0.02 %/K
Protective circuit	Transient protection
Electrical isolation	Basic insulation according to EN 61010
Overvoltage category	II
Degree of pollution	2
Rated insulation voltage	50 V AC/DC
Test voltage, input/output/supply	1.5 kV (50 Hz, 1 min.)
Electromagnetic compatibility	Conformance with EMC Directive 2004/108/EC
Noise emission	EN 61000-6-4
Noise immunity	EN 61000-6-2 When being exposed to interference, there may be minimal deviations.
Color	green
Housing material	PBT
Mounting position	any
Assembly instructions	The T connector can be used to bridge the supply voltage. It can be snapped onto a 35 mm DIN rail according to EN 60715.
Conformance	CE-compliant
ATEX	# II 3 G Ex nA IIC T4 Gc X
UL, USA / Canada	UL 508 Recognized
	Class I, Div. 2, Groups A, B, C, D T5
GL	GL EMC 2 D

EMC data

Designation	Electromagnetic RF field
Standards/regulations	EN 61000-4-3

Resistance thermometer measuring transducer - MINI MCR-SL-PT100-UI-SP-NC - 2864286

Technical data

EMC data

Typical deviation from the measuring range final value	10 %
Designation	Fast transients (burst)
Standards/regulations	EN 61000-4-4
Typical deviation from the measuring range final value	10 %
Designation	Conducted interferences
Standards/regulations	EN 61000-4-6
Typical deviation from the measuring range final value	10 %

Standards and Regulations

Electromagnetic compatibility	Conformance with EMC Directive 2004/108/EC
Noise emission	EN 61000-6-4
Connection in acc. with standard	CUL
Designation	Electromagnetic RF field
Standards/regulations	EN 61000-4-3
	EN 61000-4-4
Designation	Conducted interferences
Standards/regulations	EN 61000-4-6
Electrical isolation	Basic insulation according to EN 61010
Conformance	CE-compliant
ATEX	# II 3 G Ex nA IIC T4 Gc X
UL, USA / Canada	UL 508 Recognized
	Class I, Div. 2, Groups A, B, C, D T5
GL	GL EMC 2 D

Classifications

eCl@ss

eCl@ss 4.0	27200206
eCl@ss 4.1	27200206
eCl@ss 5.0	27200206
eCl@ss 5.1	27200206
eCl@ss 6.0	27200206
eCl@ss 7.0	27200206
eCl@ss 8.0	27371503

ETIM

ETIM 2.0	EC001446
ETIM 3.0	EC001446
ETIM 4.0	EC001446
ETIM 5.0	EC002568

Resistance thermometer measuring transducer - MINI MCR-SL-PT100-UI-SP-NC - 2864286

Classifications

UNSPSC

UNSPSC 6.01	30211506
UNSPSC 7.0901	39121008
UNSPSC 11	39121008
UNSPSC 12.01	39121008
UNSPSC 13.2	39121008

Approvals

Approvals

Approvals

UL Recognized / cUL Recognized / GL / EAC / cULus Recognized

Ex Approvals

UL Listed / cUL Listed / ATEX / cULus Listed

Approvals submitted

Approval details

UL Recognized

cUL Recognized

GL

EAC

cULus Recognized

Resistance thermometer measuring transducer - MINI MCR-SL-PT100-UI-SP-NC - 2864286

Accessories

Accessories

DIN rail connector

DIN rail connector - ME 6,2 TBUS-2 1,5/5-ST-3,81 GN - 2869728



DIN rail connector for DIN rail mounting. Universal for TBUS housing. Gold-plated contacts, 5-pos.

Marking material

Transparent cover - MINI MCR DKL - 2308111



Fold up transparent cover for MINI MCR modules with additional labeling option using insert strips and flat Zack marker strip 6.2 mm

Marking label - MINI MCR-DKL-LABEL - 2810272



Label for extended marking of MINI MCR modules in connection with the MINI MCR-DKL

Power module

Power terminal block - MINI MCR-SL-PTB - 2864134



MCR power terminal block for supplying several MINI Analog modules via the DIN rail connector, with screw connection, maximum current consumption of up to 2 A

Power terminal block - MINI MCR-SL-PTB-SP - 2864147



MCR power terminal block for supplying several MINI Analog modules via the DIN rail connector, with spring-cage connection, maximum current consumption of up to 2 A

Resistance thermometer measuring transducer - MINI MCR-SL-PT100-UI-SP-NC - 2864286

Accessories

Power supply

Power supply unit - MINI-SYS-PS-100-240AC/24DC/1.5 - 2866983



Primary-switched MINI POWER supply for DIN rail mounting, input: 1-phase, output: 24 V DC/1.5 A

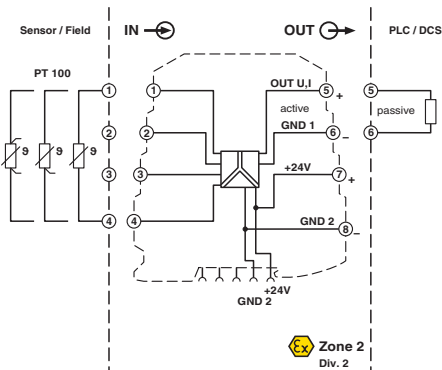
Power supply unit - MINI-PS-100-240AC/24DC/1.5/EX - 2866653



Primary-switched power supply MINI POWER for DIN rail mounting, input: 1-phase, output: 24 V DC/1,5 A, for the potentially explosive area

Drawings

Block diagram



Dimensional drawing

