



Main

Range of product	Magelis XBTR
Display resolution	122 x 32 pixels
Software type	Configuration software
Software designation	Vijeo Designer Lite
Operating system	Windows

Complementary

Display type	Matrix backlit LCD
Character font	Chinese (simplified Chinese) Cyrillic Greek Katakana Latin
Number of key	20
Number of fixed keys	8
Number of customisable keys	12
Number of pages	200 application pages 256 alarm pages
Memory type	Flash
Memory capacity	512 kB
Integrated connection type	Serial link : female RJ45, asynchronous transmission mode (RS232C/RS485) point-to-point topology
Realtime clock	Access to the PLC real-time clock
Range compatibility	Modicon M340 Modicon Premium Modicon TSX Micro Twido
Product mounting	Flush mounting
Fixing mode	By 4 spring clips
Display material	Polyester
Front material	PPT
Keypad material	Polyester
Marking	CE
Height	118 mm

Width	137 mm
Depth	78 mm
Cut-out dimensions	119.6 (+/- 0.5) x 105.2 (+/- 0.4) mm
Product weight	0.55 kg

Environment

Product or component type	Small panel with keypad
Display colour	Green
Messages display capacity	1 line of 5 characters minimum 4 lines of 20 characters maximum
[Us] rated supply voltage	5 V DC
Supply	From PLC (terminal port)
Downloadable protocols	Modbus Uni-TE
Standards	IEC 60068-2-27 IEC 60068-2-6 IEC 61131-2 UL 508 CSA C22.2 No 14
Product certifications	ATEX zone 2/22 CSA Class 1 Division 2 UL Class 1 Division 2 UL 1604
Ambient air temperature for operation	0...55 °C
Ambient air temperature for storage	-20...60 °C
Relative humidity	0...85 % without condensation
IP degree of protection	IP20 (rear panel) conforming to IEC 60529 IP65 (front panel) conforming to IEC 60529
NEMA degree of protection	NEMA 4X (front panel) for outdoor use
Shock resistance	15 gn for 11 ms
Vibration resistance	+/- 3.5 mm (f = 2...8.45 Hz) 1 gn (f = 8.45...150 Hz)

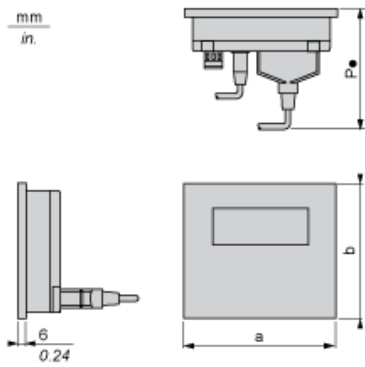
Offer Sustainability

RoHS (date code: YYWW)	Compliant - since 0651 - Schneider Electric declaration of conformity Schneider Electric declaration of conformity
REACH	Reference not containing SVHC above the threshold Reference not containing SVHC above the threshold

Contractual warranty

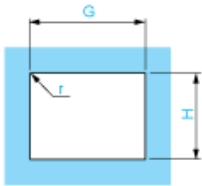
Warranty period	18 months
-----------------	-----------

Dimensions



a		a1 (1)		b		b1 (1)		P1 (2)	
mm	in.	mm	in.	mm	in.	mm	in.	mm	in.
137	5.39	160	6.29	118	5	146	6	78	3.07
(1) With fixing clips (included with product) (2) P1: depth with RJ45 cable XBTZ9780 (for Twido, TSX Micro and Premium)									

Cut-out for Flush Mounting



Panel thickness = 1.5...6 mm / 0.05...0.23 in.

H		G		r max.	
±0.4 mm	±0.02 in.	±0.5 mm	±0.02 in.	mm	in.
105.2	4.14	119.6	5	1.5	0.05