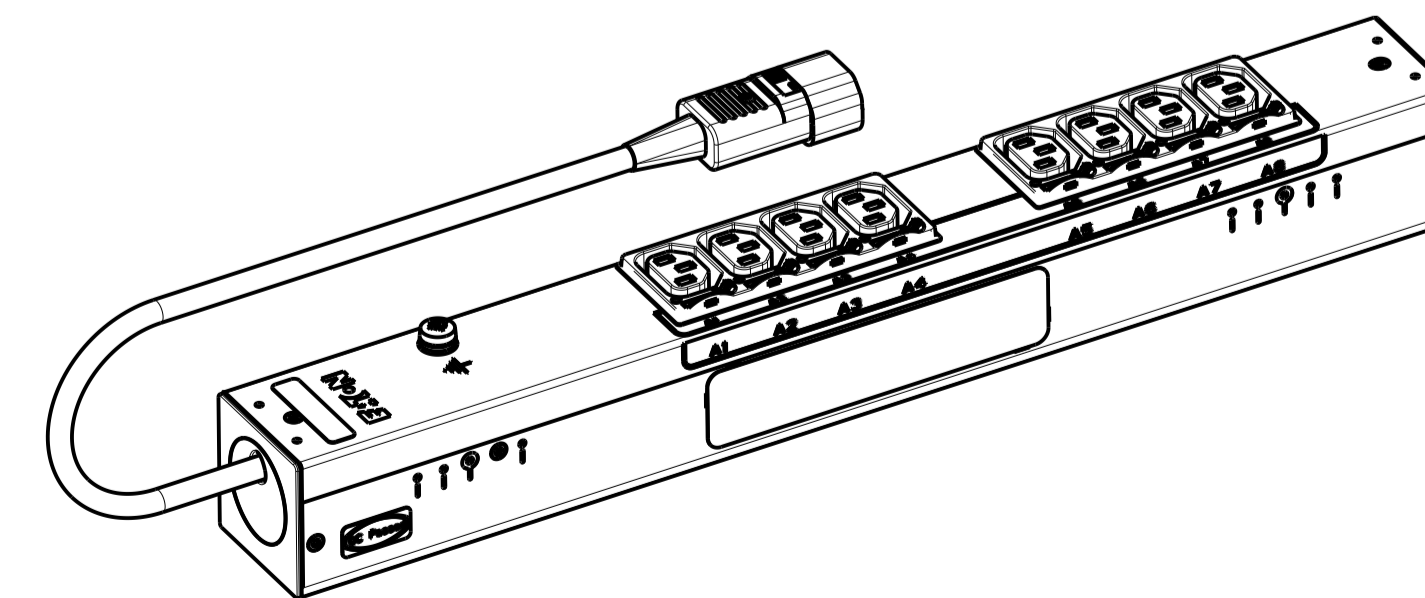
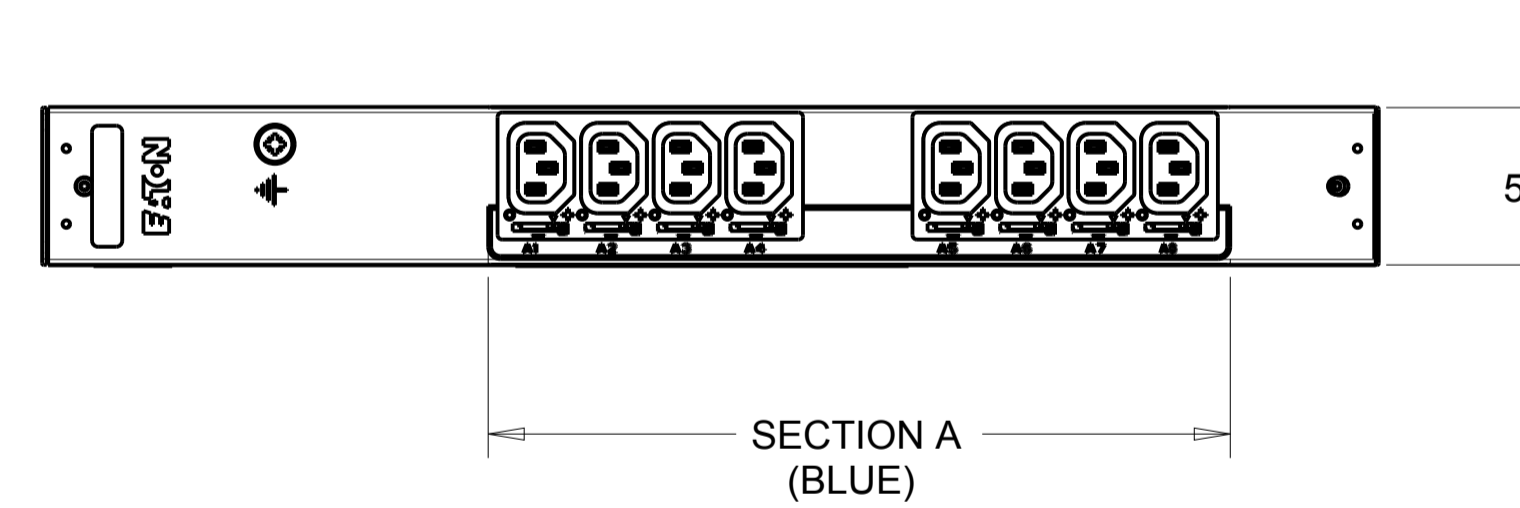
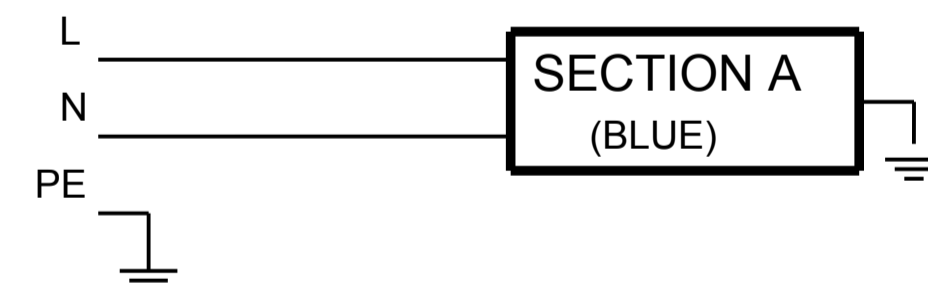


CABLE LENGTH SHOWN NOT TO SCALE



PICTORIAL VIEW  
SCALE 0.400

CIRCUIT SCHEMATIC



## EBAB02 G3 BASIC

FUNCTIONALITY	INPUT	OUTPUT	ENVIRONMENTAL
NONE	1Ø; 200-240V~; W+N+PE 50/60 Hz 10A	(8) IEC 60320 C13 GRIP	0 TO 60 °C
MECHANICAL	INPUT RATING	OUTPUT RATING	CERTIFICATIONS
LENGTH: 443MM WIDTH: 52 MM DEPTH: 53MM ALUMINIUM CHASSIS, BLACK MNT PATTERN SK-23919-Y1	IEC 60309 C14 10A 230V~ W+N+PE 1.5MM HO5 POWER CORD CABLE LENGTH: 3.0 M	200-240V~; 50/60Hz 10A PER C13 10A MAX TOTAL	CE, CB
CIRCUIT BREAKERS	FILTER AND SPIKE/SURGE	ACCESSORIES	CONFIGURATION
NONE	NONE	STANDARD KSP018 - HOR INSTALLATION PACK OPTIONAL EMP001 - ENVIRONMENTAL PROBE	EBA3CP8FABB71AM

00 INITIAL RELEASE		12.05.2014	RA	MB
REV	MODIFICATION	DATE	DESIGNER	VERIF.
<b>EATON</b>		HEINEMANN PRODUCTS		VUE/VIEW 1ST ANGLE
CH-1345 LE LIEU SWITZERLAND		ECHELLE / SCALE 4/10		N° MAG EBAB02
TRAITEMENT / FINISH N/A		VERIFIE PAR / VERIFIED BY MB		DESIGNE LE / DRAWED THE 12.05.2014
MATIERE / MATERIAL N/A		NIVEAU DU CERTIFICAT DE SOUMISSION REQUIS / SAMPLES APPROVAL PROCESS REPORT N/A		DIMENSIONS AND TOLERANCES IN MILLIMETERS
DESIGNATION EPDU BA 0U (C14 10A 1P)8XC13		NUMERO DU PLAN PLAN NUMBER SK-34319-Y1		REV. 00
COTES A CONTROLER INSPECTION DIMENSIONS		COTES FONCTIONNELLES FUNCTIONAL DIMENSIONS		# XX.XX
Ce document est propriété de Eaton Industries Manufacturing GmbH. Duplication interdite sans autorisation. This document is Eaton Industries Manufacturing GmbH property. Duplication forbidden without authorization.				