

**ebm-papst St. Georgen GmbH & Co. KG**

Hermann-Papst-Str. 1

D-78112 St. Georgen

Phone +49 (0) 7724 81-0

Fax +49 (0) 7724 81-1309

info2@de.ebmpapst.com

www.ebmpapst.com

**Nominal data**

Type	AC 3200 JH	
Phase		1~
Nominal voltage	VAC	115
Nominal voltage range	VAC	85 .. 265
Frequency	Hz	50
Speed	min <sup>-1</sup>	6800
Power input	W	12
Min. ambient temperature	°C	-20
Max. ambient temperature	°C	70
Air flow	m <sup>3</sup> /h	144
Sound power level	B	6.4
Sound pressure level	dB(A)	55

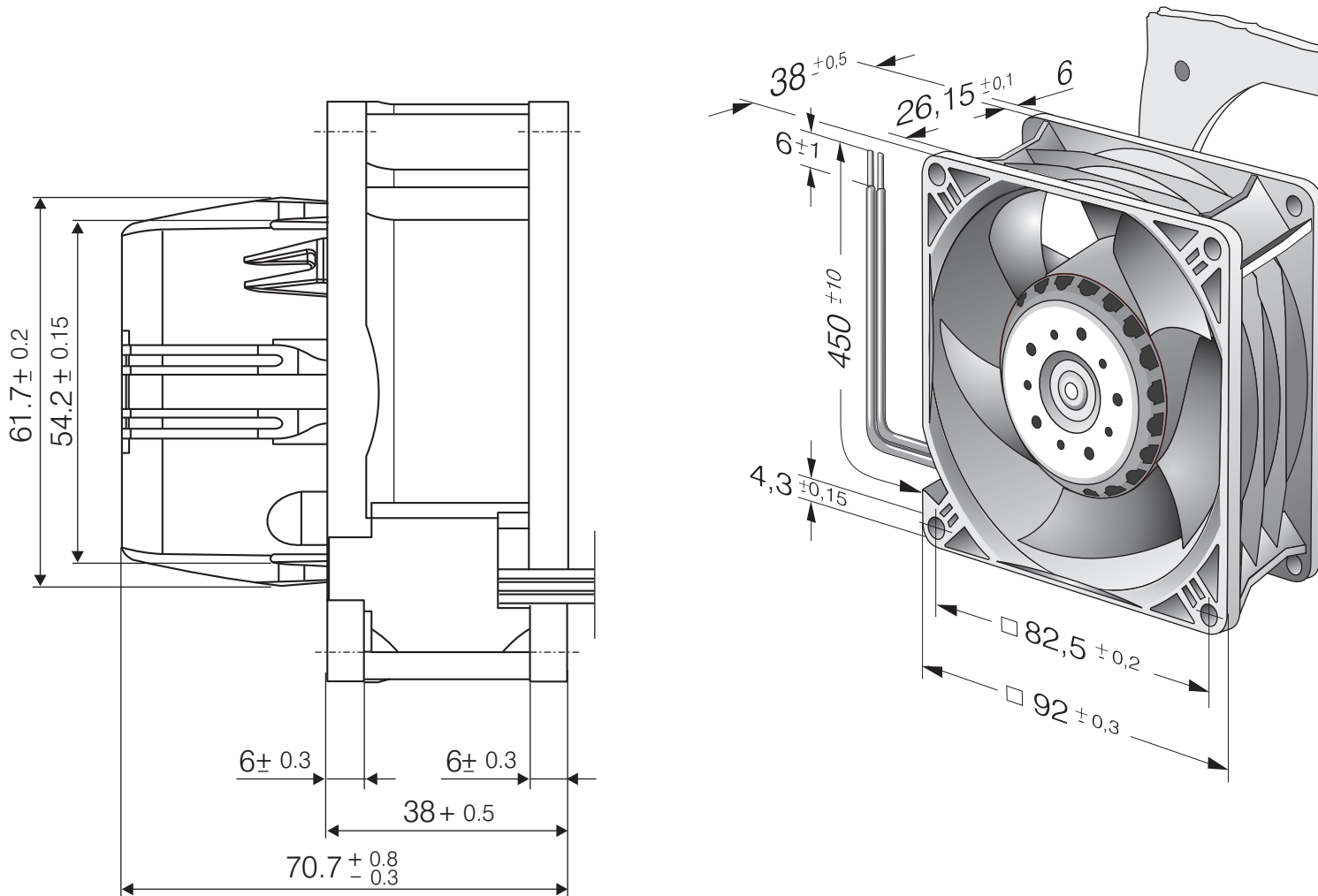
ml = Max. load · me = Max. efficiency · fa = Running at free air · cs = Customer specs · cu = Customer unit  
Subject to alterations



**Technical features**

<b>General description</b>	Universally usable for all mains voltages between 85 and 265 VAC
<b>Housing material</b>	Fibreglass-reinforced plastic (PBTP)
<b>Mass</b>	0.325 kg
<b>Dimensions</b>	92 x 92 x 38 mm
<b>Material of impeller</b>	Fibreglass-reinforced plastic (PA)
<b>Direction of air flow</b>	Exhaust over struts
<b>Direction of rotation</b>	Right, looking at rotor
<b>Type of protection</b>	IP 20
<b>Bearing</b>	Ball bearings
<b>Lifetime L10 at 40 °C</b>	70000 h
<b>Lifetime L10 at maximum temperature</b>	35000 h
<b>Connection line</b>	With single strands AWG 22, TR 64
<b>Motor protection</b>	Protected against blocking.
<b>Approval</b>	VDE, CSA, UL, CCC, CE
<b>Option</b>	Open loop speed control, sensor and alarm signal; improved moisture protection or protection class IP 54.

## Product drawing



## Charts: Air flow

