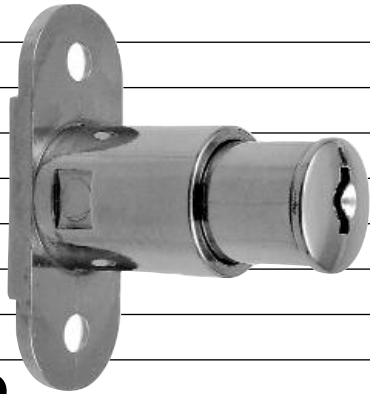


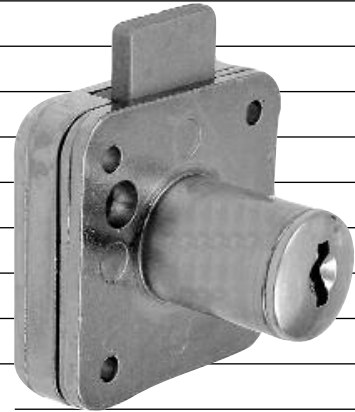
Sliding Door Lock — Rim Lock

Removable Barrel

Removable Barrel



5662



5665

PRODUCT REFERENCE NUMBERS			
KEY SERIES	COMBINATIONS	PUSH TO LOCK	KEY TO LOCK
35 M	200 *	5662	5663

M = MASTER KEY SYSTEM: SUPPLIED TO ORDER ONLY
 STANDARD MOVEMENTS: 0 (SEE DRAWING)
 STANDARD FINISHES: 2A = BRIGHT CHROME
 2B = BLACK CHROME
 ROSETTE 7011401 SUPPLIED ON REQUEST
 * 500 TO ORDER ONLY.

PRODUCT REFERENCE NUMBERS				
KEY SERIES	COMBINATIONS	VERTICAL	RH	LH
35 M	200 *	5665	5667	5669

M = MASTER KEY SYSTEM: SUPPLIED TO ORDER ONLY
 STANDARD MOVEMENTS: 3, 4
 STANDARD FINISH: 2A = BRIGHT CHROME
 7A = BRIGHT NICKEL
 2B = BLACK CHROME
 ROSETTE 7008003 SUPPLIED ON REQUEST.
 * 500 TO ORDER ONLY.

LOWE & FLETCHER LTD

MOORCROFT DRIVE, WEDNESBURY, WEST MIDLANDS, ENGLAND WS10 7DE.
 TELEPHONE: 0121 505 0400. FAX: 0121 505 0420. E-MAIL: sales@lowe-and-fletcher.co.uk WEB SITE: www.lowe-and-fletcher.co.uk