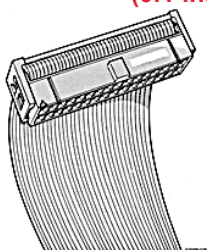


66900-310LF - Quickie® :
Standard Dual Beam - Double
row - 10 Positions - 2.54 mm
(0.1 in.)



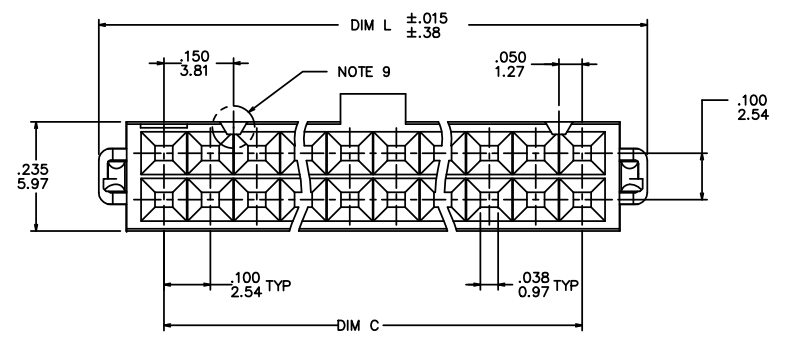
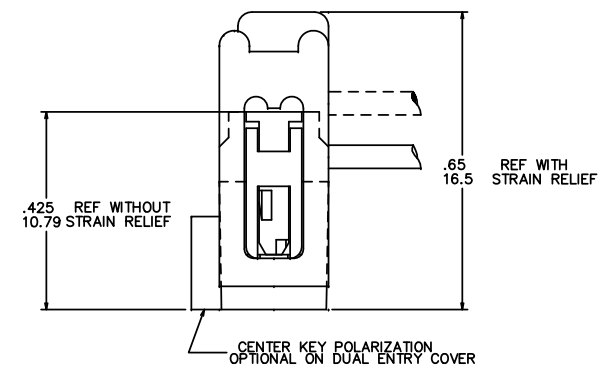
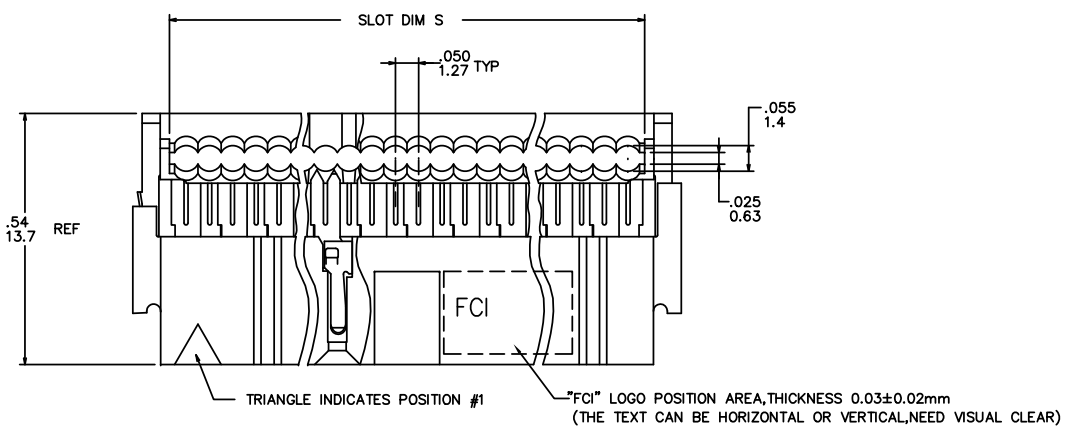
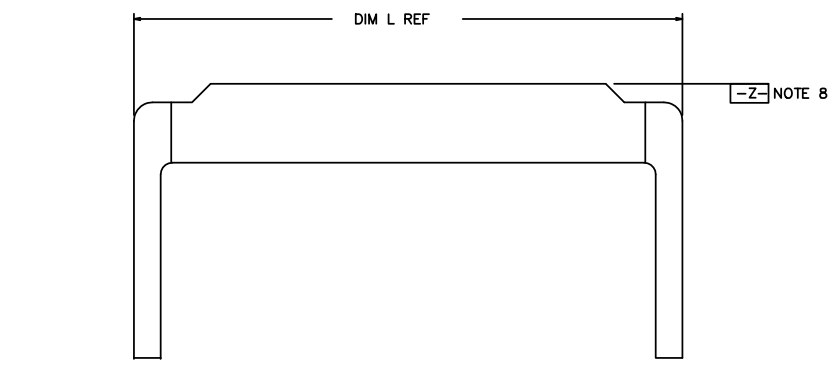
www.fci.com

Specifications

| | |
|-----------------------------------|---|
| General | |
| Number of contacts (Total) | 10 |
| Number of rows | 2 |
| Polarization | Center and Dual |
| Strain Relief | None |
| Style | Standard Dual Beam |
| Termination Style | IDC |
| Application Equipment | QP-104 QP-112 HT-209A QP-106 HT-210A QP-113 |
| Attachment type (Board) | IDC Ribbon Cable Receptacle |
| Mating half | Mates with 0.64 mm(0.025 in.) Square or Round pin from 4.32 mm(0.17 in.) min. to 6.35 mm(0.25 in.) max. A nominal 5.84 mm(0.23 in.) is recommended. |
| Electrical | |
| Current rating | 1 amp Continuous |
| Resistance (Contact) | 15 m ohms max. |
| Resistance (Insulation) | 50000 M-ohms |
| Voltage rating | 1000V AC rms |
| Physical | |
| Color (Housing) | Blue |
| Material (Contact) | Copper Alloy |
| Material (Housing) | Glass - Filled Thermoplastic Polyester |
| Plating (Contact area) | 0.76 µm (30 µin.) Gold |
| Plating (Tail) | 0.76 µm (30 µin.) Gold |
| Underplating (Contact) | 1.27 µm (50 µin.) Nickel |
| Temperature (Range) | -65°C to +105°C |
| Approvals / Certifications | |
| UL File Number | E66906 |

| | |
|-----------------------------------|---------------------|
| CSA File Number | LR46923 |
| Approvals / Certifications | UL and CSA Approved |
| Other Features | |
| Packaging (Type) | Tube |

PRODUCT NUMBER
SEE TABLE



| | | | | | | | | | | | |
|-------------|--------------|------|------------|---------------------------------------|-------------|---|--|----------------|--|--|--|
| mat'l. code | | | | surface ISO 1302 ✓ | | tolerance ISO 406 ISO 1101 | | projection | | product family QUICKIE | |
| ltr | ecn no | dr | date | tolerances unless otherwise specified | | $.XX\pm .01 / .XX\pm 0.3$ $.XXX\pm .005 / .XXX\pm 0.13$ $.XXXX\pm .0020 / .XXXX\pm 0.051$ | | | | title DUAL POLARIZED QUICKIE II ASSEMBLY | |
| N | REDRAW | MRC | 1991-01-03 | angles | linear | | | INCH/MM | | dwg no | |
| P | V13269 | JM | 1991-12-12 | | | | | scale 8:1 | | sheet 1 of 2 | |
| R | V22169 | MSC | 1992-05-21 | $\pm 2^\circ$ | | | | | | size 66900 A3 | |
| S | N05-0060 | MHT | 2005-07-25 | dr | M. CORNMANN | 1/3/91 | | | | type Product Customer Drawing | |
| T | N09-0400 | A.ZH | 2010-01-18 | enr | M.SYMK | 1/3/91 | | | | | |
| U | ELX-N-011958 | JZ | 2012-06-15 | chr | M.SYMK | 1/3/91 | | | | | |
| V | ELX-N-13342 | DCS | 2012-11-01 | appd | M.SYMK | 1/3/91 | | | | | |
| sheet | revision | V | V | | | | | | | | |
| index | sheet | 1 | 2 | | | | | | | | |

| PRODUCT No. NOTE 12 | SIZE | DIM L | DIM S | DIM C |
|------------------------|------|-------------|-------------|-------------|
| 66900-X10 | 2X5 | .680/17.27 | .520/13.21 | .400/10.16 |
| -X14 | 2X7 | .880/22.35 | .720/18.29 | .600/15.24 |
| -X16 | 2X8 | .980/24.89 | .820/20.83 | .700/17.78 |
| -X20 | 2X10 | 1.180/29.97 | 1.020/25.91 | .900/22.86 |
| -X24 | 2X12 | 1.380/35.05 | 1.220/30.99 | 1.100/27.94 |
| -X26 | 2X13 | 1.480/37.59 | 1.320/33.53 | 1.200/30.48 |
| -X30 | 2X15 | 1.680/42.67 | 1.520/38.61 | 1.400/35.56 |
| -X34 | 2X17 | 1.880/47.75 | 1.720/43.69 | 1.600/40.64 |
| -X40 | 2X20 | 2.180/55.37 | 2.020/51.31 | 1.900/48.26 |
| -X44 | 2X22 | 2.380/60.45 | 2.220/56.39 | 2.100/53.34 |
| -X50 | 2X25 | 2.680/68.07 | 2.520/64.01 | 2.400/60.96 |
| 66900-X60 | 2X30 | 3.180/80.77 | 3.020/76.71 | 2.900/73.66 |

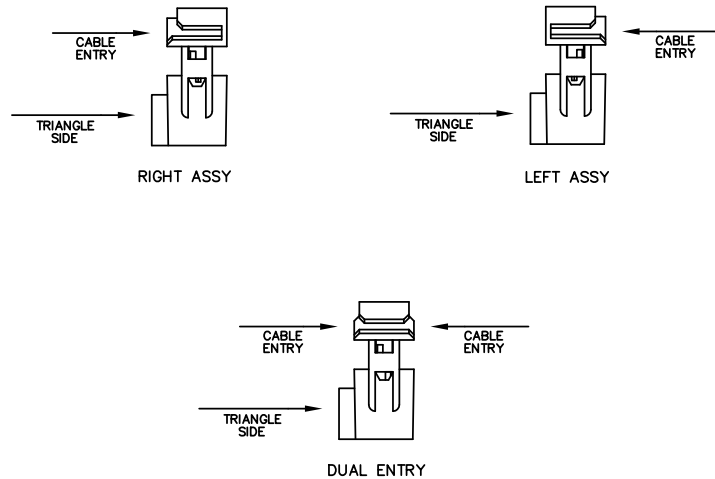
| DASH NO | COVER | | POLARIZATION | STRAIN RELIEF |
|---------|-------|-------------|------------------------|---------------|
| | STYLE | ORIENTATION | | |
| -0XX | THRU | DUAL ENTRY | DUAL POL. | YES |
| -1XX | THRU | DUAL ENTRY | DUAL POL. | NO |
| -2XX | THRU | DUAL ENTRY | CENTER KEY & DUAL POL. | YES |
| -3XX | THRU | DUAL ENTRY | CENTER KEY & DUAL POL. | NO |
| -4XX | BLIND | RIGHT | DUAL POL. | YES |
| -5XX | BLIND | RIGHT | DUAL POL. | NO |
| -6XX | BLIND | LEFT | DUAL POL. | YES |
| -7XX | BLIND | LEFT | DUAL POL. | NO |
| -8XX | BLIND | RIGHT | CENTER KEY & DUAL POL. | YES |
| -9XX | BLIND | LEFT | CENTER KEY & DUAL POL. | YES |

| DASH NO | COVER | | POLARIZATION | STRAIN RELIEF | NOTE |
|---------|-------|-------------|------------------------|---------------|---------|
| | STYLE | ORIENTATION | | | |
| -AXX | BLIND | LEFT | DUAL POL. | NO | NOTE 17 |
| -BXX | THRU | DUAL ENTRY | DUAL POL. | YES | |
| -CXX | THRU | DUAL ENTRY | DUAL POL. | NO | |
| -DXX | THRU | DUAL ENTRY | CENTER KEY & DUAL POL. | NO | |
| -EXX | BLIND | RIGHT | DUAL POL. | YES | |
| -FXX | BLIND | RIGHT | DUAL POL. | NO | |

NOTES:

1. TERMINAL MATERIAL: FULL HARD PHOS. BRONZE ALLOY, UNS-C51000.
2. TERMINAL PLATING: 50u"/27u MIN NI UNDERPLATE OVER ENTIRE TERMINAL AND 30u"/.76u MIN Au OR GXT IN CONTACT AREA ONLY.
3. MOLDING MATERIAL: BASE & COVER- GLASS FILLED POLYESTER, FLAME RETARDANT PER UL94V-0, COLOR- BLUE.
4. CONNECTOR ASSEMBLIES PACKAGED IN TUBES.
5. THE FIRST TWO CAVITY POSITIONS AND THE LAST TWO, ARE IDENTIFIED BY NUMBER.
6. POLARIZING FEATURES ARE DESCRIBED IN TABLE.
7. MOLDING MATERIAL: STRAIN RELIEF- NYLON, FLAME RETARDANT PER UL94V-0, COLOR- BLUE.
8. STRAIN RELIEF DIM APPLIES WHEN DATUM -Z- IS HELD IN A RESTRAINED CONDITION.
9. THE POLARIZING FEATURE ON THIS END IS NON-EXISTANT ON 2X5 AND 2X7 POSITION CONNECTORS.
10. 2x5 POSITION NOT AVAILABLE WITH POLARIZATION SLOT ON CENTER KEY STYLE.
11. TO ORDER PARTS THAT DO NOT HAVE "MARKED INFO", (DATE, P/N, ETC), ADD A "U" AFTER THE PART NUMBER. EXAMPLE 66900-010 U.
12. ADD "Lf" SUFFIX AT THE END OF PART NUMBER FOR LEAD FREE OPTION.
13. IF "Lf" P/N THE PRODUCT MEETS EUROPEAN UNION DIRECTIVES AND OTHER COUNTRY REGULATION AS DESCRIBED IN GS-22-008.
14. THE PRODUCT IS NOT INTENDED TO BE EXPOSED TO A MANUFACTURING SOLDER PROCESS.
15. PRODUCT SPEC. BUS-12-082
16. PLATING OPTIONS: MAY BE EITHER GOLD OR GXT PLATED AT MANUFACTURER'S OPTION.
17. FOR CUSTOMER SPECIAL REQUIREMENT. TERMINAL PLATING: 50u"/27u MIN NI UNDERPLATE OVER ENTIRE TERMINAL AND 30u"/.76u MIN Au IN CONTACT AREA ONLY.

COVER ORIENTATION



| | | | | | |
|-------------|----------------|-----------------------|----------------------------------|--|---------------------------------------|
| mat'l. code | | surface ISO 1302 ✓ | tolerance ISO 406 ISO 1101 | projection INCH/MM | product family QUICKIE |
| ltr | ecn no | dr | date | tolerances unless otherwise specified | title |
| v | | | | angles linear XXX±.01/XXX.3 XXX±.005/XXX±0.13 XXX±.0020/XXX±0.051 | DUAL POLARIZEO QUICKIE II ASSEMBLY |
| | | | | ±2" | scale 1:1 |
| | | dr | M. CORNMAN | 1/3/91 | dwg no |
| | | enrg | M.SYMK | 1/3/91 | sheet 2 of 2 |
| | | chr | M.SYMK | 1/3/91 | 66900 |
| | | appd | M.SYMK | 1/3/91 | size A3 |
| | | | | | type Product Customer Drawing |
| sheet index | revision sheet | | | | |